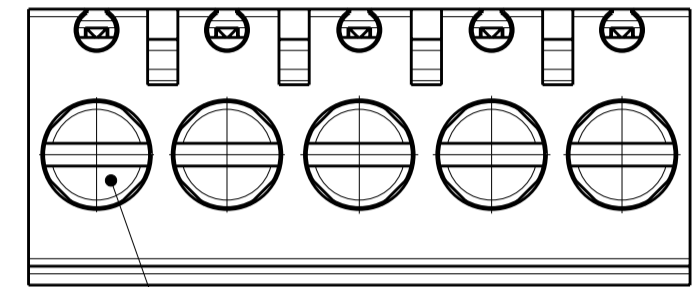


THIS DRAWING IS UNPUBLISHED. RELEASED FOR PUBLICATION 20
 © COPYRIGHT 20 BY - ALL RIGHTS RESERVED.

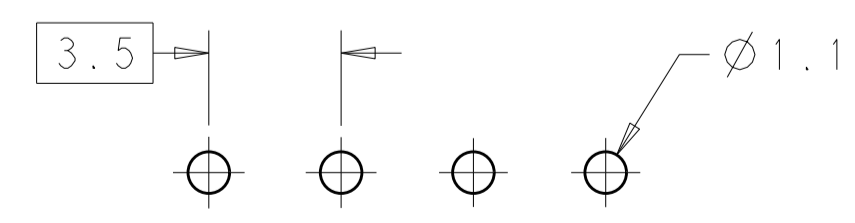
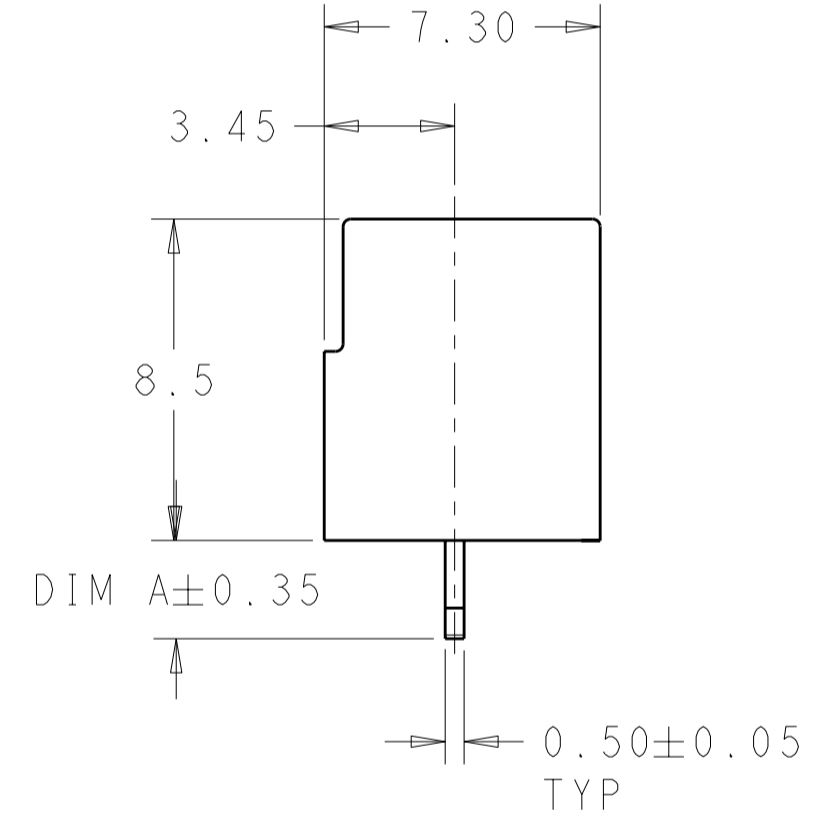
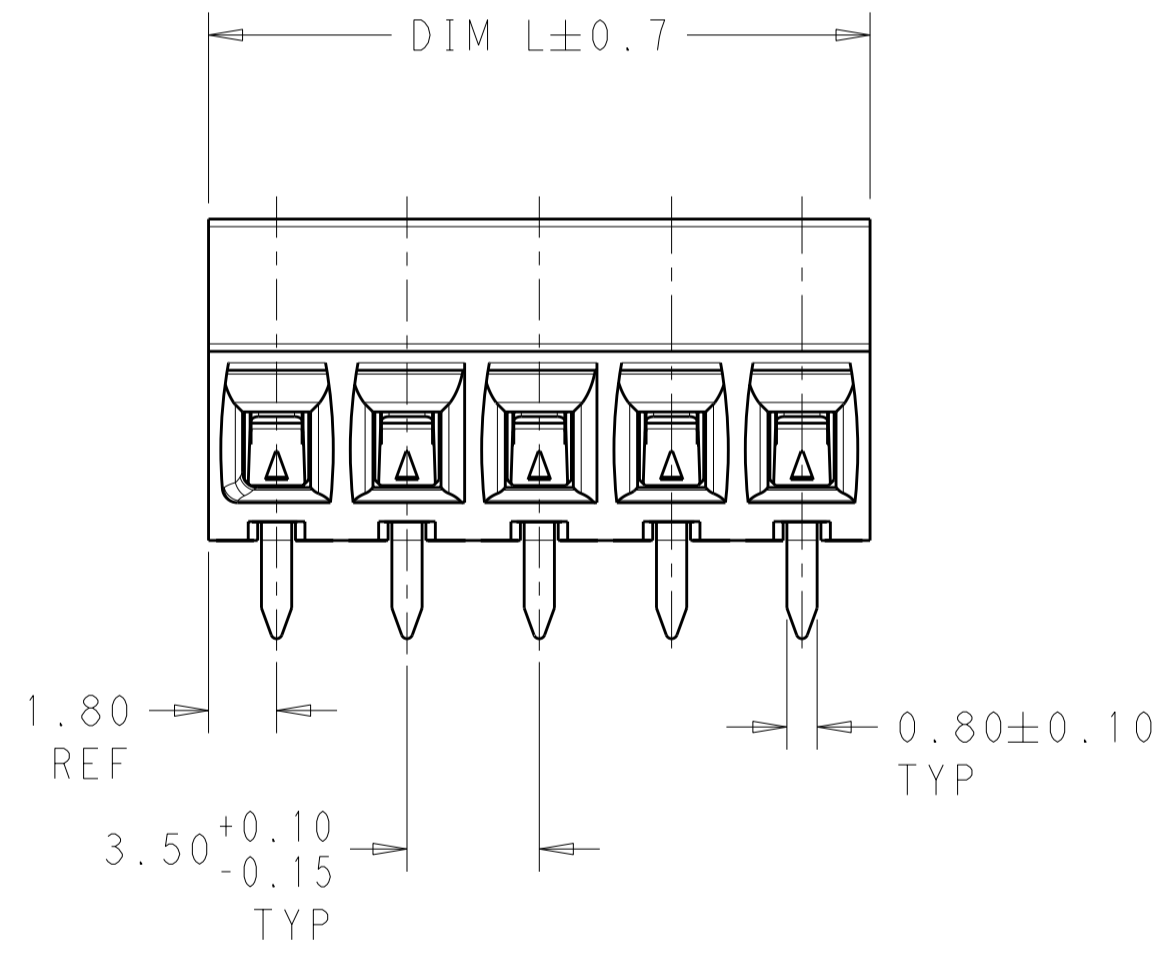
LOC		DIST		REVISIONS			
P	LTR	DESCRIPTION	DATE	DWN	APVD		
P		REVISED PER ECO-11-004917	12MAR2011	RK	HMR		

1. MATERIALS AND FINISH:
 HOUSING: HIGH TEMPERATURE POLYAMIDE, UL 94V-0,
 COLOR: BLACK.
 TERMINAL: COPPER ALLOY, TIN PLATED.
 CLAMP: COPPER ALLOY, NICKEL PLATED.
 CLAMPING SCREW: COPPER ALLOY, NICKEL PLATED.

- 2. WIRE SIZE RANGE: 16-28 AWG.
- 3. CURRENT RATING: 12A, 150V
 OPERATING TEMPERATURE: -40° TO +110°C
- 4. SUITABLE FOR 2.4mm MAX PC BOARD THICKNESS.



CLAMPING SCREW



RECOMMENDED PC BOARD LAYOUT

3.50	14.00	4	2-1776112-4
3.50	10.50	3	2-1776112-3
3.50	7.00	2	2-1776112-2
2.60	14.00	4	1776112-4
2.60	10.50	3	1776112-3
2.60	7.00	2	1776112-2
DIM A	DIM L	NO OF POS	PART NUMBER

THIS DRAWING IS A CONTROLLED DOCUMENT.		DWN S. SCHLEGEL 19 JAN 2010	TE Connectivity	
DIMENSIONS: mm		CHK C. RICHARD 19 JAN 2010		
TOLERANCES UNLESS OTHERWISE SPECIFIED:		APVD C. RICHARD 19 JAN 2010	NAME TERMINAL BLOCK, PCB MOUNT, STRAIGHT, 8.5mm PROFILE, SIDE WIRE ENTRY, 3.5mm PITCH	
0 PLC ± 1 PLC ±0.3 2 PLC ±0.25 3 PLC ± 4 PLC ±		PRODUCT SPEC -	SIZE A200779C-1776112	
MATERIAL		APPLICATION SPEC -	CAGE CODE -	
ANGLES FINISH		WEIGHT -	DRAWING NO -	
1		CUSTOMER DRAWING		RESTRICTED TO -
		SCALE 5:1		SHEET 1 OF 1 REV P

Mouser Electronics

Authorized Distributor

Click to View Pricing, Inventory, Delivery & Lifecycle Information:

[TE Connectivity:](#)

[1776112-4](#)