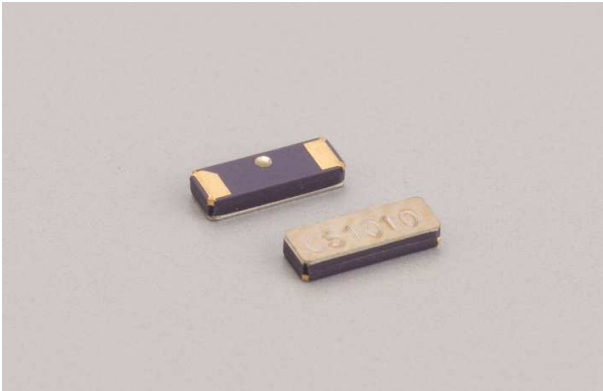


## TUNING FORK CRYSTAL UNIT (SMD · Ceramic Package)

RoHS compliant / Pb free

# CM415

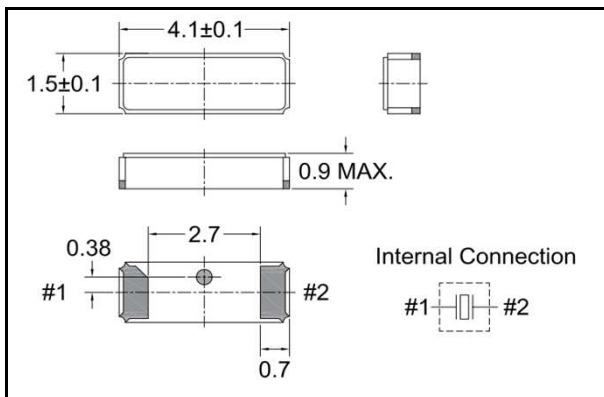
3,000pcs/reel



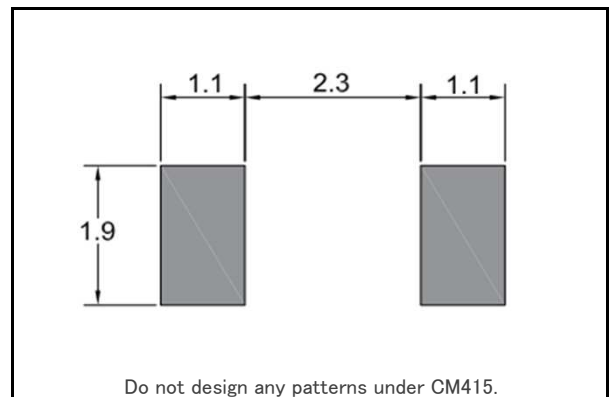
### FEATURES

- Frequency range : 32.768kHz
- External dimensions (mm)  
L : 4.1 x W : 1.5 x H : 0.9
- Applications  
Consumer products

### DIMENSION [mm]



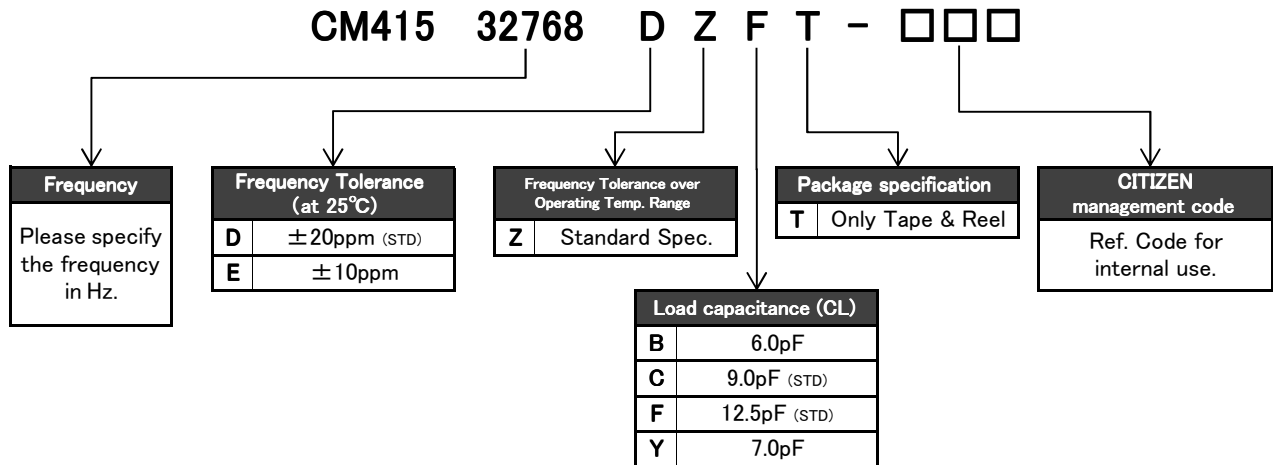
### SOLDER PAD LAYOUT [mm]



### STANDARD SPECIFICATIONS

Item	Model	CM415	Conditions
Nominal Frequency	$f_0$	32.768kHz	
Frequency Tolerance	$\Delta f/f_0$	$\pm 10\text{ppm} / \pm 20\text{ppm}$	at 25°C
Load capacitance	$C_L$	6.0pF / 7.0pF / 9.0pF / 12.5pF	Please specify your requirement
Operating Temperature Range	$T_{OPR}$	-40°C ~ +85°C	
Storage Temperature Range	$T_{STR}$	-55°C ~ +125°C	
Turnover Temperature	$T_M$	25°C±5°C	
Temperature Coefficient	$\beta$	-0.034±0.006ppm/°C <sup>2</sup>	
Motional (series) resistance	$R_1$	70KΩ Max.	at 25°C
Level of drive	$D_L$	1 μW Max.	
Aging (first year)	$\Delta f/f_0$	±3ppm Max.	25°C±3°C
Shunt capacitance	$C_0$	1.10pF Typ.	

## ■ PART NUMBERING SYSTEM



\*Please contact us for specifications available.

## ■ Part Marking [standard]



C : Manufacture's ID Code

y : The last digit of production year

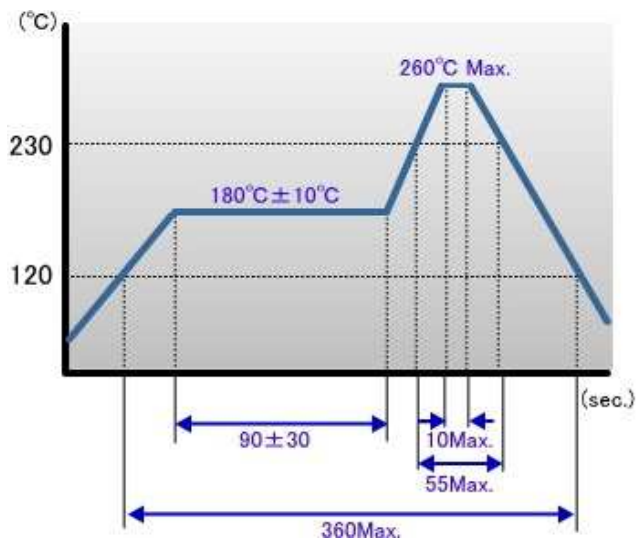
m : Production month (See Table.1)

# : Production Lot No.

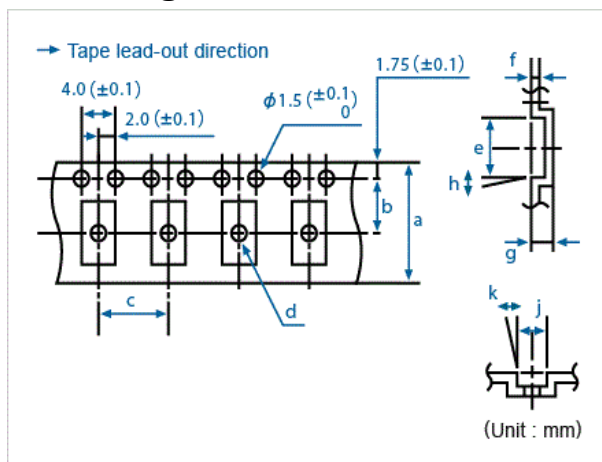
Table.1

Month	Jan	Feb	...	Sep	Oct	Nov	Dec
Code	1	2	...	9	X	Y	Z

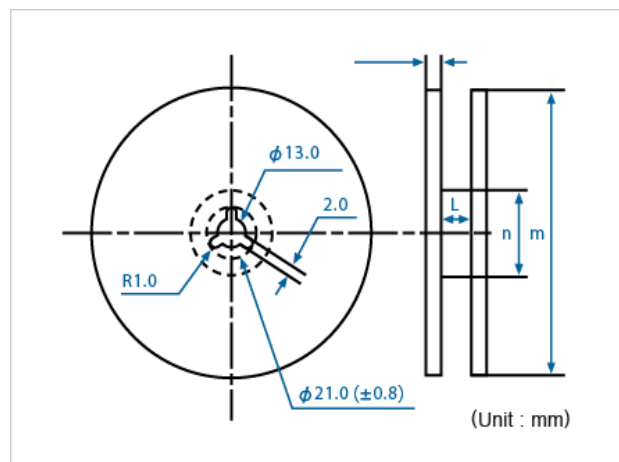
## ■ Reflow profile



## ■ Packing



Conforming to JIS C 0806 TB1208NEIAJ and RC-1009B TE1208N



Conforming to JIS C 0806 R12R and EIAJ RC-1009B R15

Q'ty/reel	a	b	c	d (φ)	e	f	g	h	j	k	l	m (φ)	n (φ)
3,000	12.0	5.5	4.0	1.0	4.5	0.3	1.0	5°	1.9	5°	13.0	180	60

Product specifications are subject to change without notice.

Rev.2

# Mouser Electronics

Authorized Distributor

Click to View Pricing, Inventory, Delivery & Lifecycle Information:

Citizen:

[CM415-32.768KDZC-UT](#) [CM415-32.768KDZY-UT](#) [CM415-32.768KDZF-UT](#) [CM41532768DZFT](#) [CM41532768DZCT](#)  
[CM41532768DZYT](#)