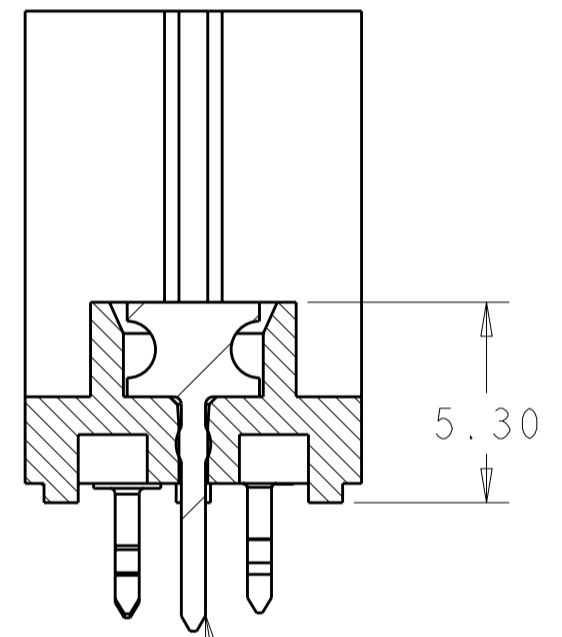
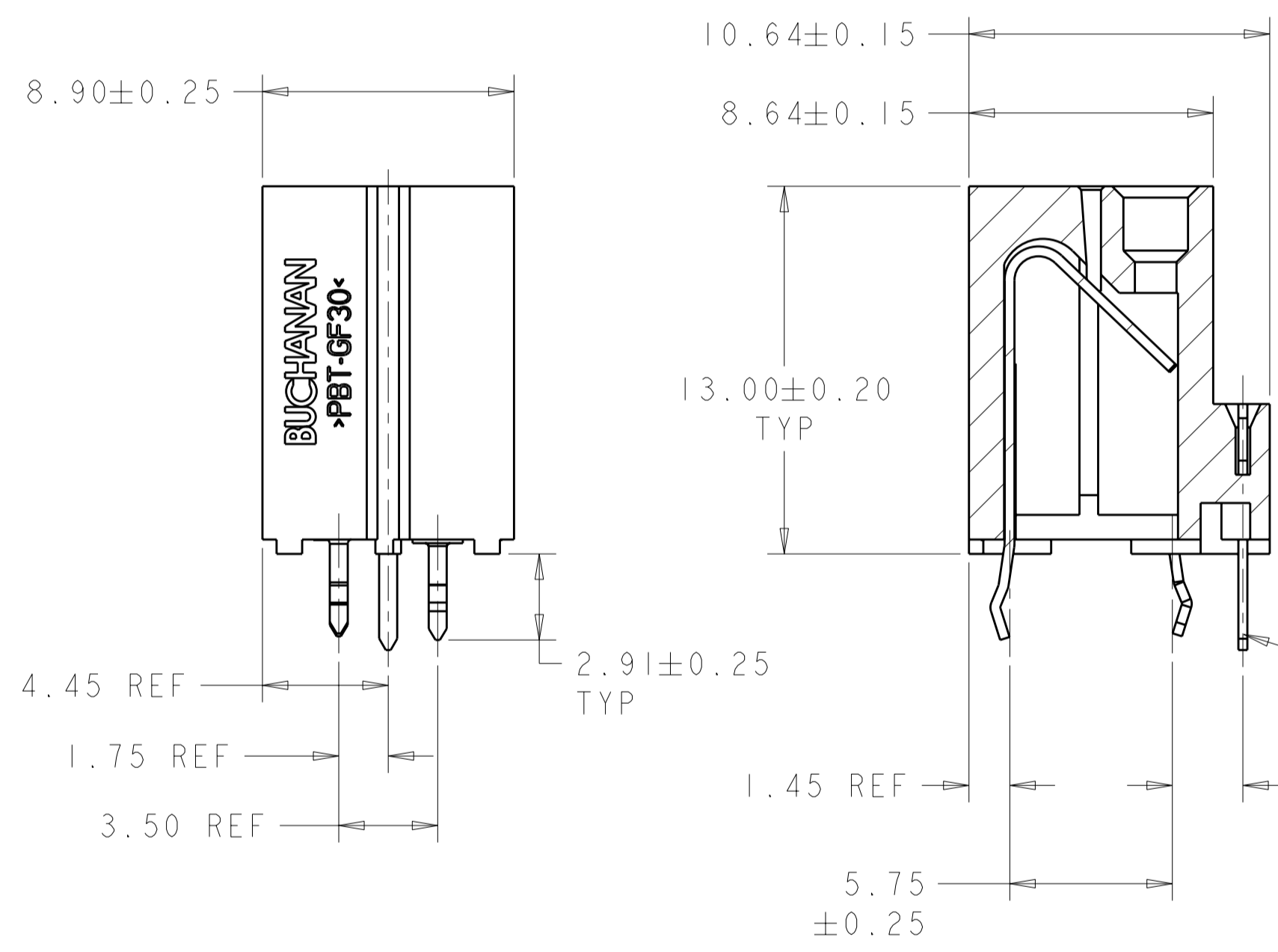
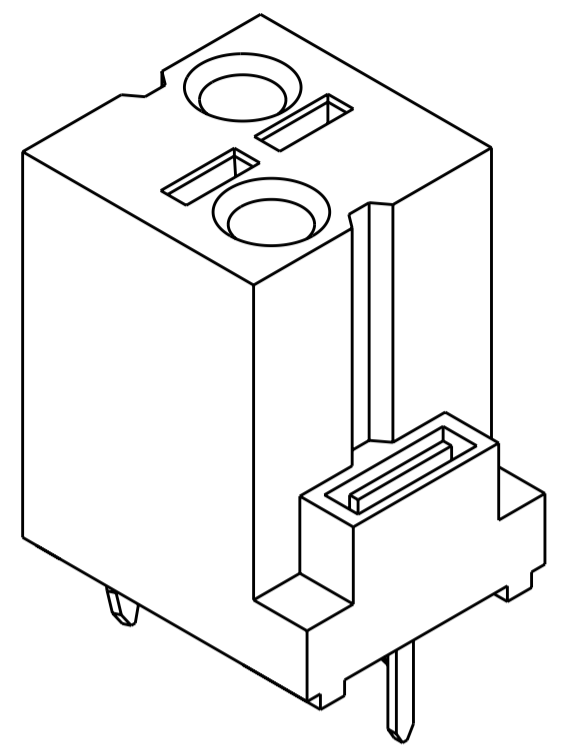
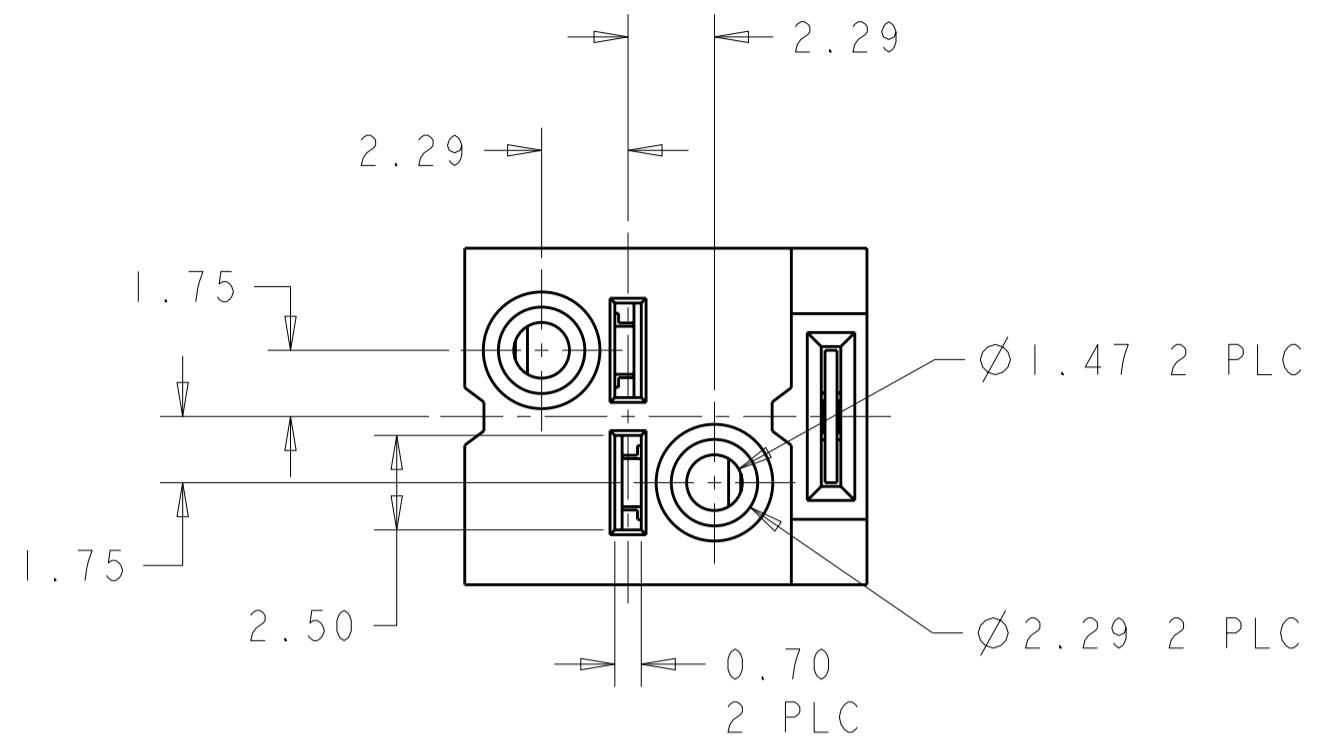
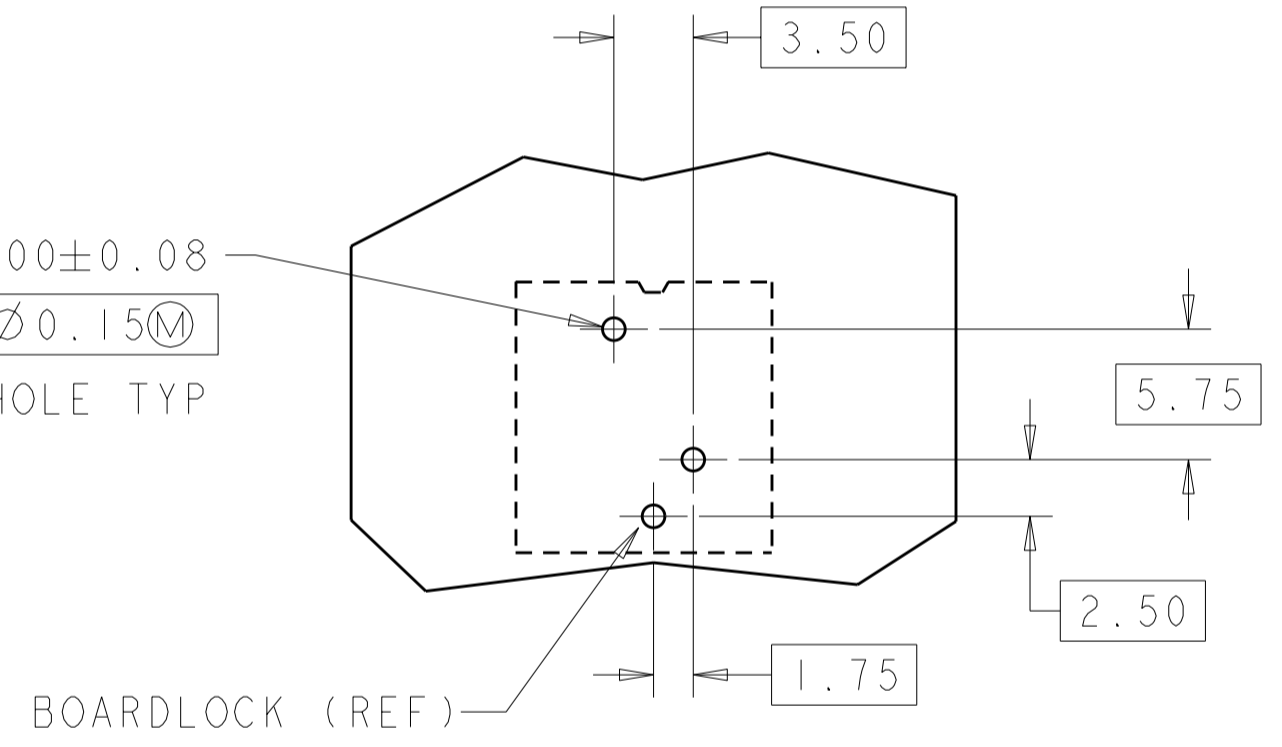


THIS DRAWING IS UNPUBLISHED. RELEASED FOR PUBLICATION 20
 © COPYRIGHT 20 BY - ALL RIGHTS RESERVED.

| LOC | DIST | REVISIONS | | | | | |
|-----|------|-----------|-----|---------------------------|-----------|-----|------|
| FT | 0 | P | LTR | DESCRIPTION | DATE | DWN | APVD |
| | | A4 | | REVISED PER ECR-10-013378 | 01JUL2010 | HMR | DD |
| | | A5 | | REVISED PER ECR-12-008903 | 16MAY2012 | RS | DD |



Ø1.00±0.08
 Ø0.15(M)
 THRU HOLE TYP



SCALE 3:1
 PCB LAYOUT
 VIEWED FROM CONNECTOR MOUNTING SIDE

- 1 MATERIAL:
 HOUSING: PTB, UL94-V0, COLOR BLACK.
 CONTACTS: PHOSPHOR BRONZE.
 BOARDLOCK: PHOSPHOR BRONZE.
- 2 PLATING:
 CONTACTS & BOARDLOCKS: PRE TIN, 2.5µm MIN OVER 0.76µm MIN NICKEL
 (CONTACT AND BOARDLOCK EDGES WILL BE UNPLATED)
- 3. WIRE SIZE: 16 TO 18AWG SOLID AND 18AWG
 BONDED PER ASTM B470, TYPE I.
 2.19mm MAX INSULATION DIAMETER.
 STRIP LENGTH = 9.53±1.00.

| | |
|---------------|-----------|
| TAPE AND REEL | 1811957-3 |
| TUBE | 1811957-2 |
| TRAY | 1811957-1 |
| PACKAGING | PART NO |

| | | | | |
|---|-----|---|--|-------------------------|
| THIS DRAWING IS A CONTROLLED DOCUMENT. | | DWN | 21APR2005 | TE Connectivity |
| DIMENSIONS: mm | | CHK | 21APR2005 | |
| TOLERANCES UNLESS OTHERWISE SPECIFIED: | | APVD | 13SEP2005 | |
| 0 PLC ±- 1 PLC ±0.5 2 PLC ±0.13 3 PLC ±- 4 PLC ±- ANGLES ±- FINISH ±- | | PRODUCT SPEC 108-2059 APPLICATION SPEC 114-13075 WEIGHT - | NAME ASSEMBLY, WIRE CONNECTOR, 2 POSITION WITH BOARDLOCK, SCREWLESS, VERTICAL | |
| MATERIAL | 1 - | 2 - | SIZE A200779 | DRAWING NO C-1811957 |
| CUSTOMER DRAWING | | | SCALE 5:1 | SHEET 1 OF 1 REV A5 |

Mouser Electronics

Authorized Distributor

Click to View Pricing, Inventory, Delivery & Lifecycle Information:

[TE Connectivity:](#)

[1811957-1](#)