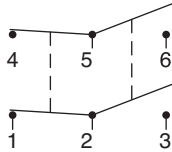
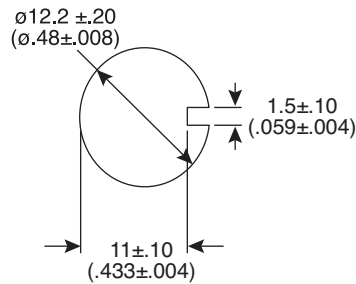


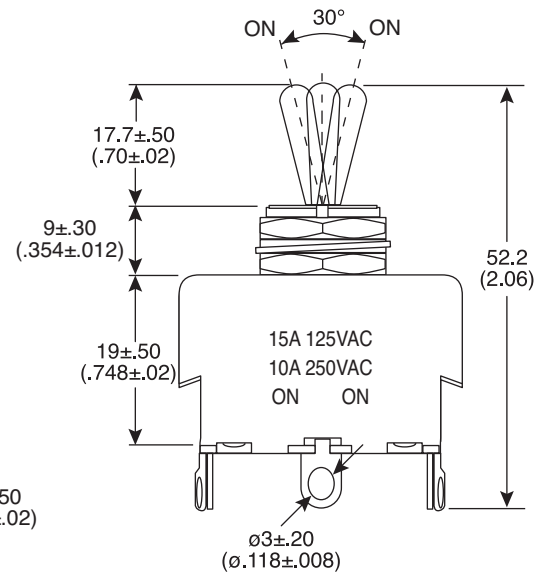
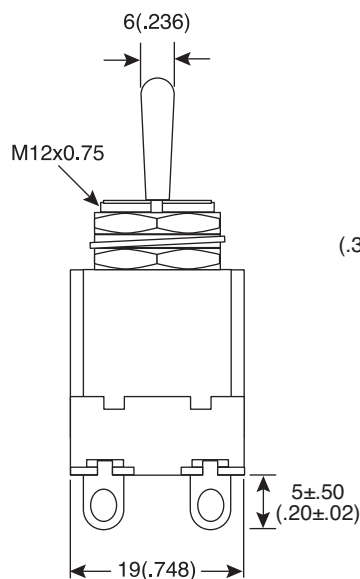
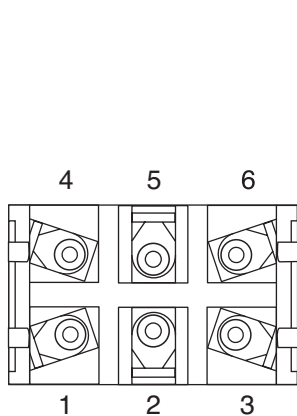
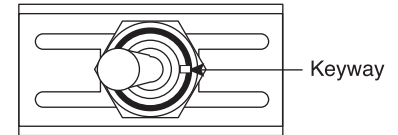
Dimensions: mm (in.)



CIRCUIT DIAGRAM



MOUNTING HOLE



Electrical Specifications:

- Rating: 10A/250VAC; 15A/125VAC
- Contact Resistance: 50m Ω Max.
- Insulation Resistance: 500VDC 100M Ω Min.
- Dielectric Strength: 1500VAC 1 minute

Mechanical Specifications:

- Circuit: 6P DPDT on-on

Note:

- RoHS Compliant by Exemption

Toggle Switch
103-0013-EVX



Mouser Electronics

Authorized Distributor

Click to View Pricing, Inventory, Delivery & Lifecycle Information:

[Mountain Switch:](#)

[103-0013-EVX](#)