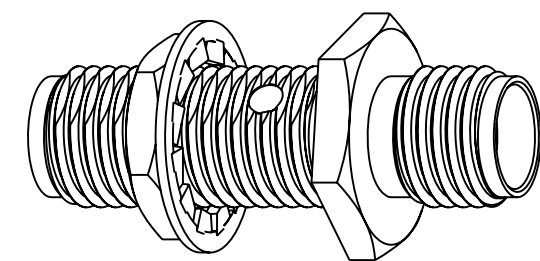


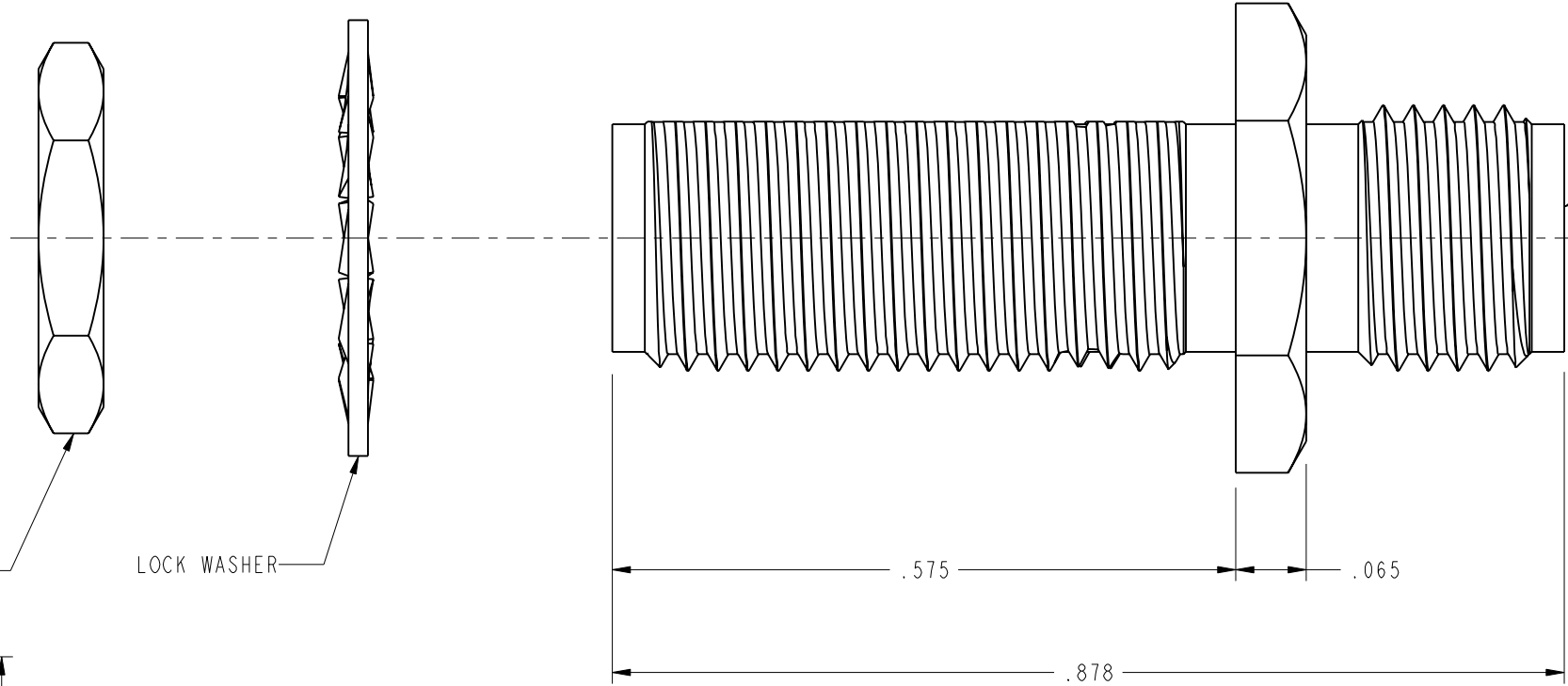
NOTES:

1. MATERIALS AND FINISHES:  
 BODY - STAINLESS STEEL, GOLD PLATING  
 CONTACT - BeCu, GOLD PLATING  
 INSULATOR - PTFE
2. ELECTRICAL:  
 A. IMPEDANCE: 50 OHM  
 B. DIELECTRIC WITHSTANDING VOLTAGE: 1500 VRMS, MIN.
3. MECHANICAL:  
 A. DURABILITY: 500 CYCLES MIN.  
 B. TEMPERATURE RANGE: -65° C TO 165° C
4. PACKAGING:  
 A. QUANTITY: SINGLE PACK  
 B. MARKING: BAG TO BE MARKED  
 "AMPHENOL RF, 901-9209A, AND DATE CODE"

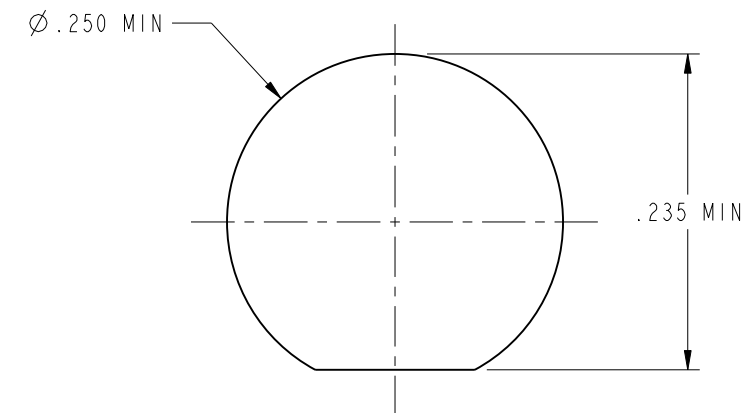
|                   |     |   |          |       |      |
|-------------------|-----|---|----------|-------|------|
| 901-9209A         |     | REVISIONS   |          |       |      |
| DRAWING NO.       | REV | DESCRIPTION   | DATE     | ECO   | APPR |
| THIRD ANGLE PROJ. | A   | RELEASE TO MFG.   | 11/12/76 | 24841 | S.P. |
|                   | K   | REDRAWN IN PRO-E; CHGE NOTE 1; DEL NOTE 2; ADD PLATE CODES; CHGED NOTE 3; .878 WAS .875 | 7/28/98  | 42459 | CPM/ |
|                   | L   | CHANGED PLT ON WASHER; ADDED COD  | 12/15/10 | 48366 | CL   |



SCALE 3.000



INTERFACE PER MIL-STD 348 SMA SERIES (BOTH SIDES)



SCALE 7.000

**RECOMMENDED MOUNTING HOLE DIMENSIONS**

**CUSTOMER OUTLINE DRAWING**

ALL OTHER SHEETS ARE FOR INTERNAL USE ONLY

|   |  |                              |                   |                                      |   |              |
|---|--|------------------------------|-------------------|--------------------------------------|---|--------------|
| UNLESS OTHERWISE SPECIFIED, DIMENSIONS ARE IN INCHES AND TOLERANCES ARE:<br>2 PLACE DECIMAL ±.015 (0,381 mm)<br>3 PLACE DECIMAL ±.005 (0,127 mm)<br>ANGLES ± 1°   | MATERIAL   | DRAWN<br>CLEMENT             | DATE<br>07-Jul-09 | TITLE<br>SMA<br>FEED-THRU<br>ADAPTOR | <b>Amphenol RF</b><br>Danbury, CT, USA<br>Tainan, Taiwan<br>Shenzhen, China<br><a href="http://www.amphenolrf.com">www.amphenolrf.com</a> |              |
|   | REFERENCE<br>D.O.R. 42-901-315302<br>GEN # ASSYF18_SMA | ENGINEER<br>K. CAPOZZI       | DATE<br>11-29-10  |                                      |   | APPROVED     |
| NOTICE - These drawings, specifications, or other data (1) are, and remain the property of Amphenol Corp. (2) must be returned upon request; and (3) are confidential and not to be disclosed to any person other than those to whom they are given by Amphenol Corp. The furnishing of these drawings, specifications, or other data by Amphenol Corp., or to any other person to anyone for any purpose is not to be regarded by implication or otherwise in any manner licensing, granting rights or permitting such holder or any other person to manufacture, use or sell any product, process or design, patented or otherwise, that may in any way be related to or disclosed by said drawings, specifications, or other data. |  | CAD FILE<br>I:\SMA\901-9209A | CODE ID<br>74868  | DWG SIZE<br>B                        | DRAWING NO.<br>901-9209A  | REV<br>L     |
|   |  |                              |                   |                                      | SCALE: 6.0:1  | SHEET 2 OF 2 |

# Mouser Electronics

Authorized Distributor

Click to View Pricing, Inventory, Delivery & Lifecycle Information:

[Amphenol:](#)

[901-9209A](#)