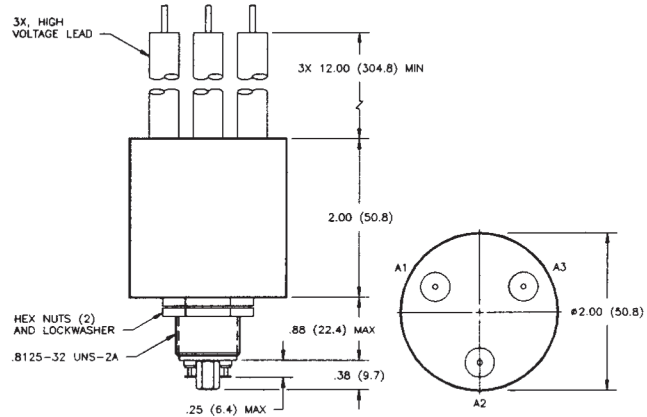
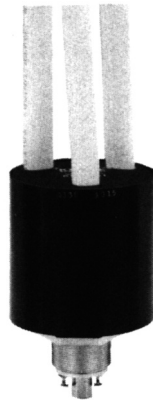


**K64 & H-25 Series — 50 kV Relays**

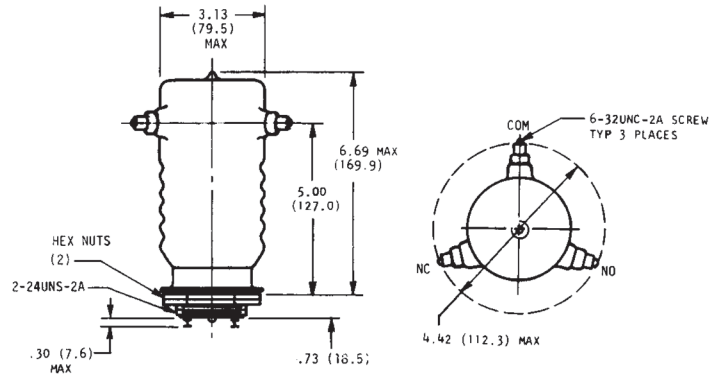
**K64C**  
**Make Only Load Switching**  
**Product Facts for K64C**

- SF-6 gas-filled relay ideal for high voltage isolation or “make only” power switching
- 50 kV rating in compact package
- High voltage leads and encapsulation allow full operation in air



**H-25**  
**Make & Break Load Switching**  
**Product Facts for H-25**

- Vacuum relay provides low contact resistance
- Vacuum dielectric for power switching low current loads



**Product Specifications for K64C and H-25**

- Contact Arrangement** — SPDT
- Contact Form** — C
- Test Voltage, DC or 60 Hz (Peak)** —  
 K64C — 55 kV  
 H-25 — 60 kV
- Rated Operating Voltage (Peak)** —  
 DC or 60 Hz — 50 kV
- Continuous Carry Current, Max.** —  
 DC or 60 Hz — K64C — 10 A  
 H-25 — 30 A
- Coil Hi-Pot (Vrms, 60 Hz) — 500 A
- Contact Resistance, Max.** —  
 K64C — 1.0 ohm\*  
 H-25 — 0.015 ohm
- Operate Time, Max.** —  
 K64C — 15 ms  
 H-25 — 60 ms
- Release Time, Max.** —  
 K64C — 15 ms  
 H-25 — 60 ms

**Shock, 11ms, 1/2 Sine (Peak) —**

- K64C — 10 g
- H-25 — 15 g

- Vibration** —  
 Peak — 10 g (55 to 500 Hz)

**Operating Ambient Temperature Range** — -55°C to +85°C

- Mechanical Life** —  
 K64C — 1 million cycles  
 H-25 — 500,000 cycles

- Weight, Nominal** —  
 K64C — 340 g (12 oz.)  
 H-25 — 850.5 g (30 oz.)

**Note:**  
 \*Contact resistance for gas-filled relays measured at 28 Vdc, 1 Amp

**Coil Data**

|                               | K64C     | H-25     |
|-------------------------------|----------|----------|
| <b>Nominal Volts DC</b>       | 26.5 Vdc | 26.5 Vdc |
| <b>Pickup, Max.</b>           | 18 Vdc   | 16 Vdc   |
| <b>Dropout</b>                | 1-10 Vdc | 1-10 Vdc |
| <b>Coil Resistance (±10%)</b> | 80 Ω     | 120 Ω    |

Ratings listed are for 25°C, sea level conditions

**Ordering Information**

**Sample Part Number** ▶ **K64 C 8 4 1**

**Series:** \_\_\_\_\_

**Contact Form:** \_\_\_\_\_  
 C = SPDT

**Coil Voltage:** \_\_\_\_\_  
 8 = 26.5 Vdc, Turret Terminal

**High Voltage Connections:** \_\_\_\_\_  
 4 = Flying Leads, 12"  
 7 = Flying Leads, 72"  
 8 = Flying Leads, 36"

**Mounting:** \_\_\_\_\_  
 1 = Threaded

For factory-direct application assistance, dial 800-253-4560, ext. 2055, or 805-220-2055.

# Mouser Electronics

Authorized Distributor

Click to View Pricing, Inventory, Delivery & Lifecycle Information:

[TE Connectivity:](#)

[K64C871](#) [K64C841](#)