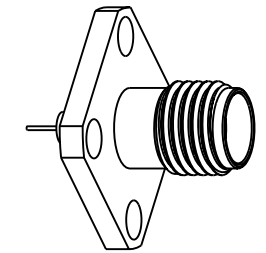


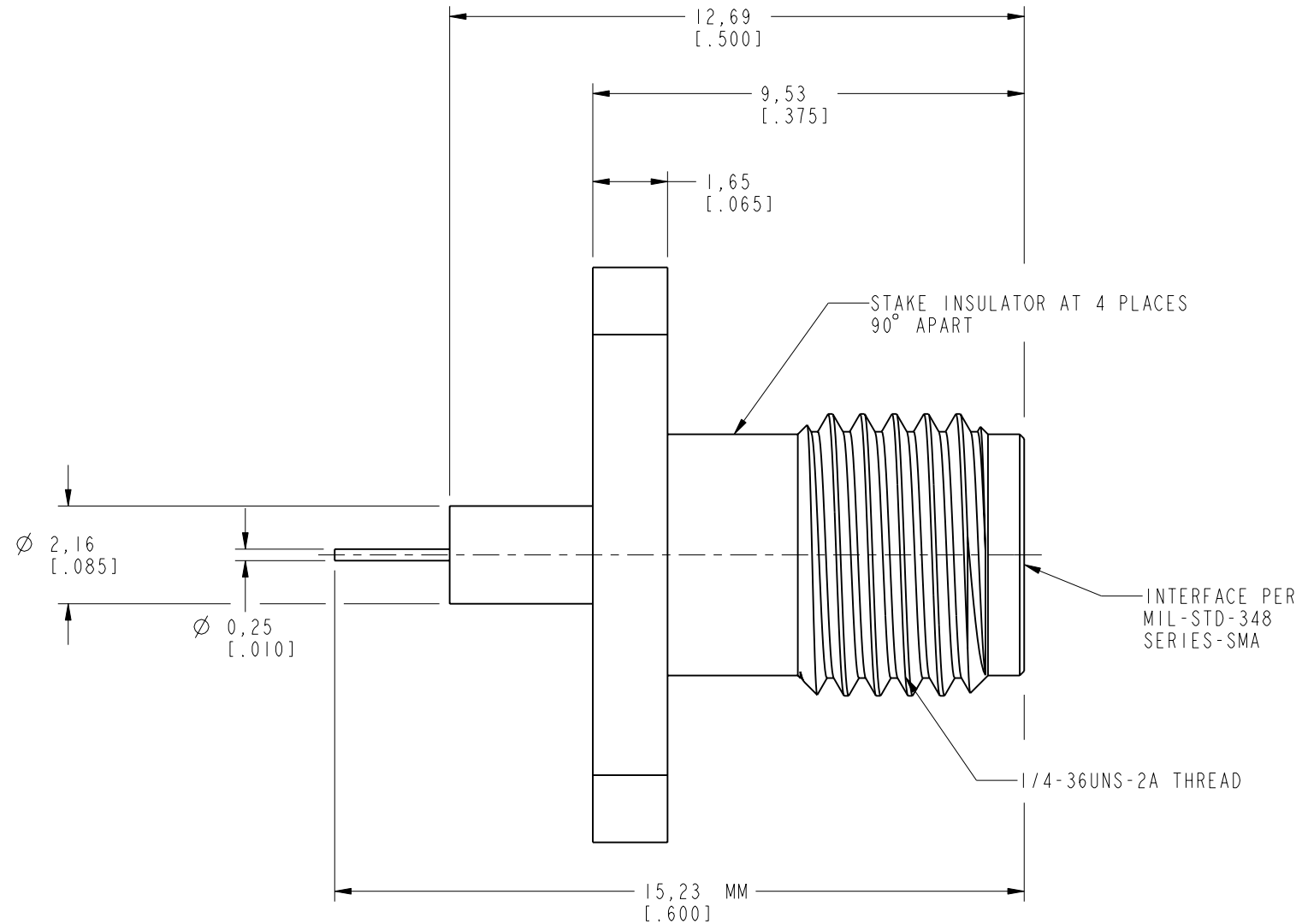
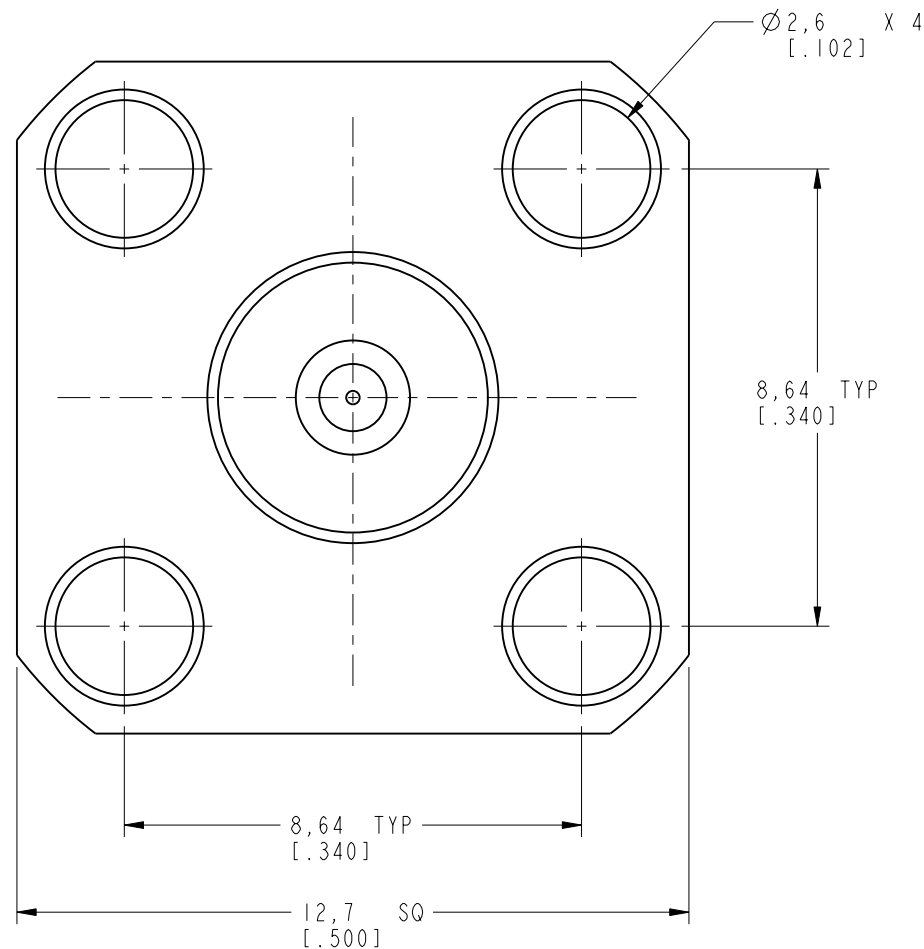
NOTES:

1. MATERIALS OF CONSTRUCTION:
 BODY - STAINLESS STEEL, PASSIVATED
 CONTACT PIN - BeCu, GOLD PLATING(.000050 MIN.) THICK OVER NICKEL
 INSULATORS - PTFE
2. ELECTRICAL:
 A. IMPEDANCE: 50 OHM
 B. FREQUENCY RANGE: DC - 6.0 GHz
3. MECHANICAL:
 A. DURABILITY: 500 CYCLES MIN.
 B. TEMPERATURE RANGE: -65° C TO+165° C
4. PACKAGING:
 A. QUANTITY: SINGLE PACK
 B. MARKING: BAG TO BE MARKED
 "AMPHENOL, 901-10151, AND DATE CODE"

901-10151		REVISIONS			
DRAWING NO.	REV	DESCRIPTION	DATE	ECO	APPR
THIRD ANGLE PROJ.	A	PROTOTYPE RELEASE	8/2/04	45089	HP



SCALE 2.000



CUSTOMER OUTLINE DRAWING
 ALL OTHER SHEETS ARE FOR INTERNAL USE ONLY

UNLESS OTHERWISE SPECIFIED, DIMENSIONS ARE IN INCHES AND TOLERANCES ARE:
 2 PLACE DECIMAL ±.015 (0,381 mm)
 3 PLACE DECIMAL ±.005 (0,127 mm)
 ANGLES ± 1°

NOTICE - These drawings, specifications, or other data (1) are, and remain the property of Amphenol Corp. (2) must be returned upon request; and (3) are confidential and not to be disclosed to any person other than those to whom they are given by Amphenol Corp. The furnishing of these drawings, specifications, or other data by Amphenol Corp., or to any other person to anyone for any purpose is not to be regarded by implication or otherwise in any manner licensing, granting rights or permitting such holder or any other person to manufacture, use or sell any product, process or design, patented or otherwise, that may in any way be related to or disclosed by said drawings, specifications, or other data.

MATERIAL	DRAWN	DATE	TITLE
	H. PARIKH	7/22/04	SMA PANEL RECEPT JACK
	ENGINEER	DATE	
	H. PARIKH	7/22/04	
REFERENCE	APPROVED	DATE	
EAR 1145,1444 GEN# 901-10109-ASSY	O. BARTHELMES	8/2/04	
	CAD FILE	CODE ID	DWG SIZE
	I:\SMA\ 901-10151	74868	B

DRAWING NO.	REV	DESCRIPTION	DATE	ECO	APPR
901-10151	A	PROTOTYPE RELEASE	8/2/04	45089	HP

DRAWING NO.	REV	DESCRIPTION	DATE	ECO	APPR
901-10151	A	PROTOTYPE RELEASE	8/2/04	45089	HP

Amphenol RF	
Danbury, CT, USA Tainan, Taiwan Shenzhen, China www.amphenolrf.com	
SCALE: 7.0:1	SHEET 2 OF 2
DRAWING NO.	REV
901-10151	A

Mouser Electronics

Authorized Distributor

Click to View Pricing, Inventory, Delivery & Lifecycle Information:

[Amphenol:](#)

[901-10151](#)