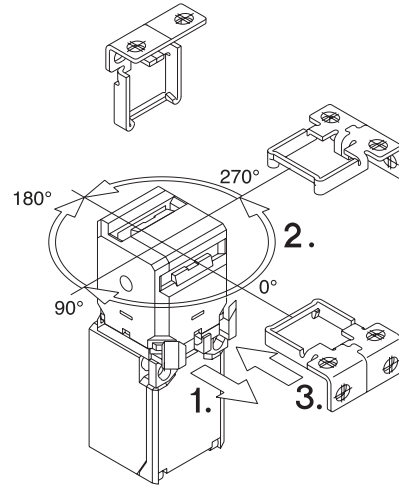
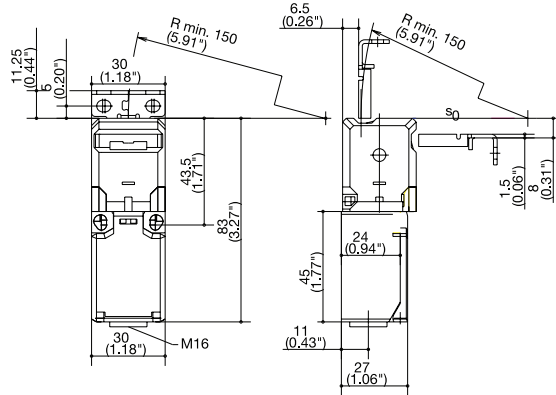


SKT Series

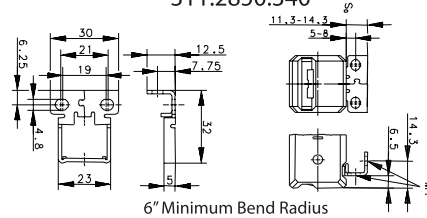
SKT



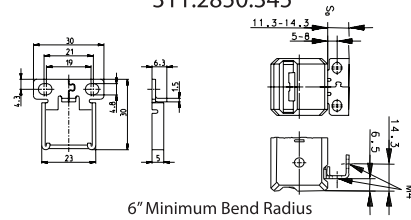
Switching Operation	Slow Action	Snap Action
1 NC / 1 NO Contacts	601.6419.059 SKT-U1Z M3 	-
1 NC Contacts		-
2 NC Contacts	601.6469.066 SKT-A2Z M3 	-
1 NC / 1 NO Contacts Overlapping	-	-

Replacement actuator keys:

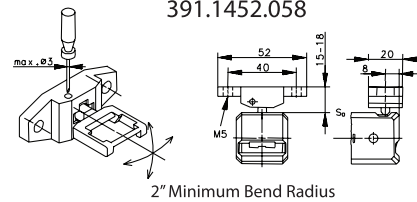
M3 ACTUATOR KEY
311.2850.340



M2 ACTUATOR KEY
311.2850.345



MRU ACTUATOR KEY
391.1452.058



Technical Information

	Slow Action	Snap Action
Maximum Switching Voltage	240V	240V
Max. Switching Amps (up to)*	10A	10A
B10d (up to)*	20 Million	20 Million
Mechanical Service Life (up to)*	10 x 10 ⁶	10 x 10 ⁶
Switching Frequency	≤ 30/min	≤ 30/min
Operating Temperature	-30 °C to +80 °C	-30 °C to +80 °C
Protection Rating	IP65	IP65
Utilization Category (up to)*	AC-15, Ue/Ue 240V 3A	AC-15, Ue/Ue 240V 3A
Rate Insulation Voltage	250VAC	250VAC

Approvals

* Depending on switching system - see technical information for details



Mouser Electronics

Authorized Distributor

Click to View Pricing, Inventory, Delivery & Lifecycle Information:

[Altech:](#)

[601.6469.066](#) [601.6419.059](#)