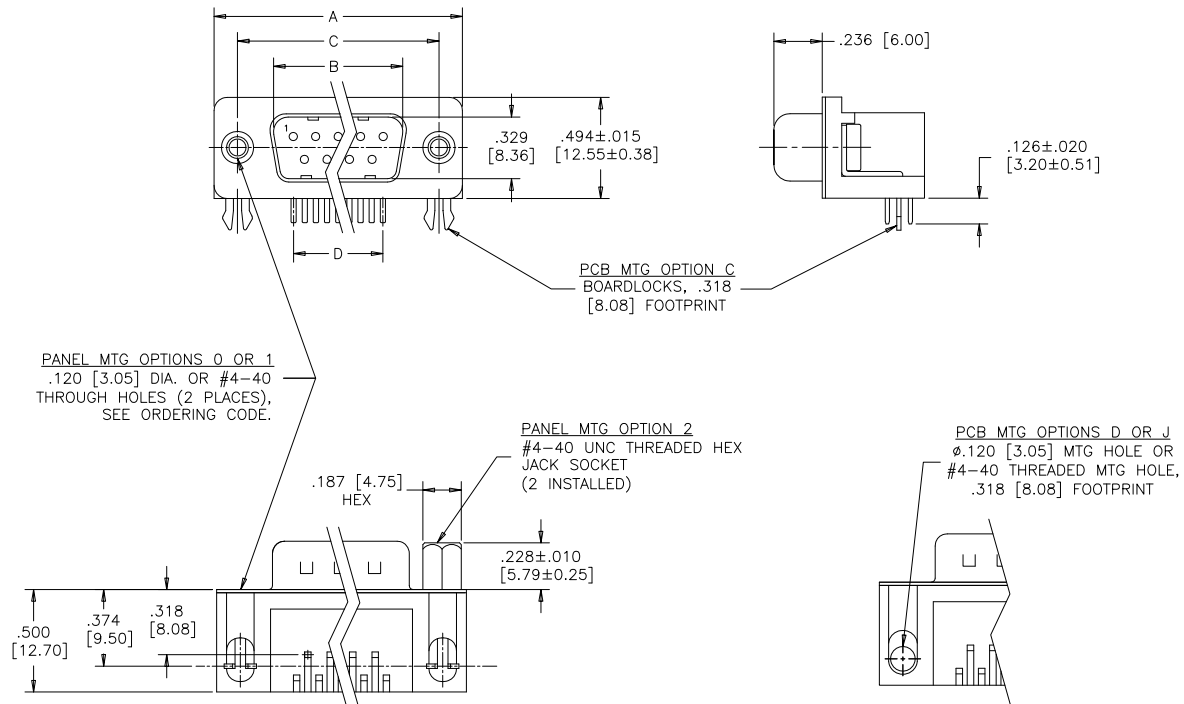


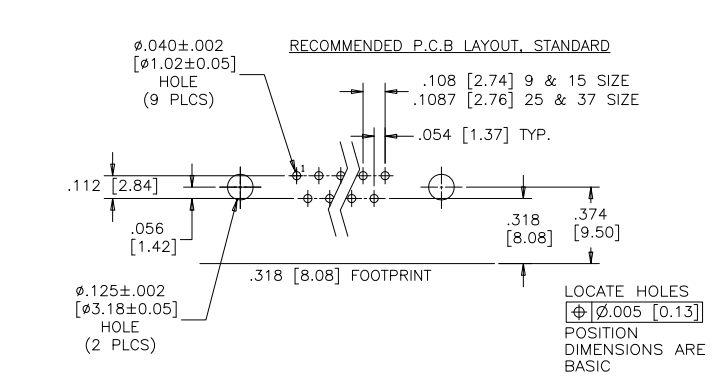
**.318 [8.08] FOOTPRINT**  
(STANDARD PCB LAYOUT)

REVISIONS			
REV	ECN, ERN NO.	DATE	APPRD.
B	PRODUCT DRAWING (EAR 14576)	JULY18/17	K.L.
C	PRODUCT DRAWING (EAR 14658)	MAY07/18	K.L.



**DIMENSIONS**

SIZE	A±.015 [0.38]	B±.005 [0.13]	C±.005 [0.13]	D BSC.
009	1.213 [30.81]	.666 [16.92]	.984 [24.99]	.432 [10.97]
015	1.541 [39.14]	.994 [25.25]	1.312 [33.32]	.756 [19.20]
025	2.088 [53.04]	1.534 [38.96]	1.852 [47.04]	1.304 [33.12]
037	2.729 [69.32]	2.182 [55.42]	2.500 [63.50]	1.956 [49.68]



**ORDERING CODE:**

**PART NUMBER:** 6 E 1 7 X - X X X P X X - X 2 1 X

**SERIES** ————

**PCB MTG. OPTIONS** ————

C=BOARDLOCK OPTION, .318 [8.08] FOOTPRINT  
D=Ø.120 [3.05] MTG HOLE, .318 [8.08] FOOTPRINT  
J=#4-40 THREADED MTG HOLE, .318 [8.08] FOOTPRINT  
U=Ø.120 [3.05] MTG HOLE, .590 [14.99] FOOTPRINT  
Y=BOARDLOCK OPTION, .590 [14.99] FOOTPRINT

**NUMBER OF CONTACTS** ————

009, 015, 025, 037

**STYLE** ————

P=PIN

**PCB LAYOUT CODE**  
NO DIGIT=STANDARD MOUNTING HOLE POSITION  
.374 [9.50] DIM'N FOR .318 [8.08] F/P  
.315 [8.00] DIM'N FOR .590 [14.99] F/P  
E=.646 [16.41] DIM'N FOR .590 [14.99] F/P

**SHELL CHARACTERISTICS**  
21=NICKEL PLATED PLUG SHELL WITH GROUNDING INDENTS

**PANEL MOUNTING OPTIONS**  
0=Ø.120" [3.05] THROUGH HOLE  
1=#4-40 THREADED HOLE  
2=MOUNTING OPTION 1 WITH #4-40 UNC HEX JACK SOCKETS INSTALLED

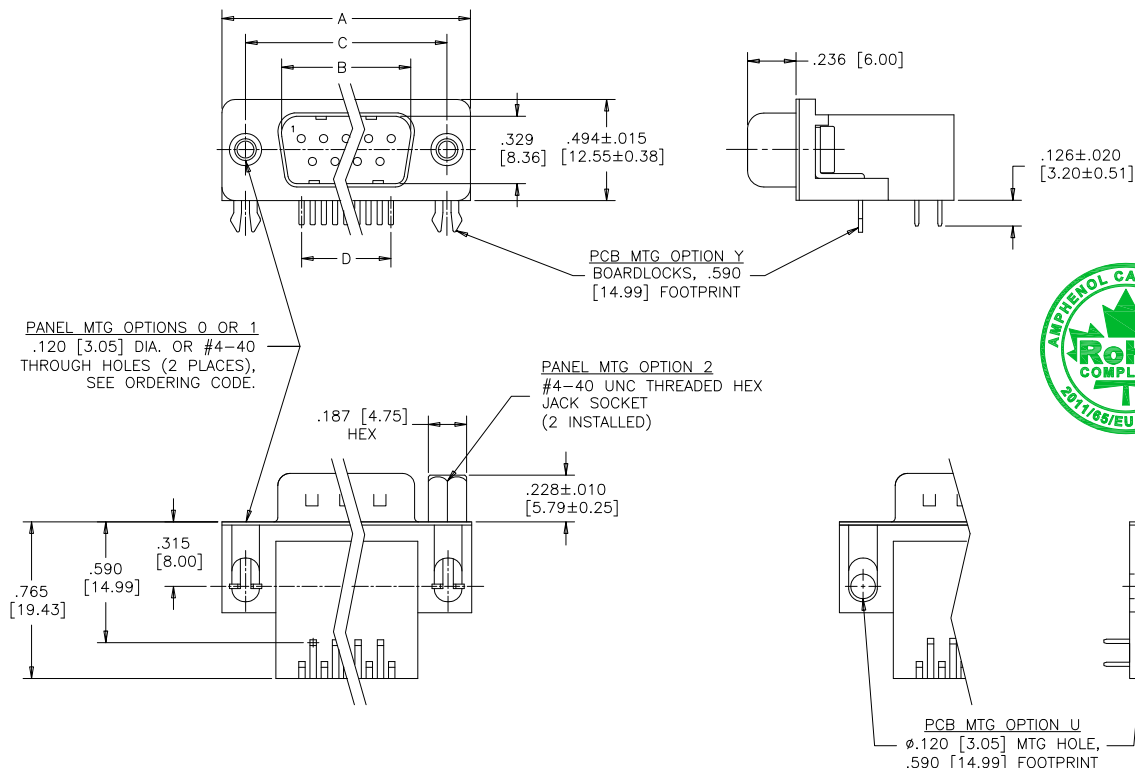
**CONTACT PLATING OPTIONS**  
BF=ENGAGEMENT AREA 3µ" [0.08 MICRONS] GOLD FLASH  
CF=ENGAGEMENT AREA 15µ" [0.38 MICRONS] GOLD  
AJ=ENGAGEMENT AREA 30µ" [0.76 MICRONS] GOLD

SEE SHEET 2 FOR NOTES & SPECIFICATIONS

DRAWN	A.CHENG	DATE	APR17/06	<b>Amphenol Canada Corp.</b>	
DESIGNED					
CHECKED	K.LAMBIE	APR17/06		TITLE 6E17 SERIES D-SUB CONNECTOR, 9 TO 37 SIZE PIN, RIGHT ANGLE WITH F/P, MTG AND PLATING OPTIONS, RoHS COMPLIANT	
I. E. APPRD.					
Q. A. APPRD.				DWG DRAWING NO. C P-6E17X-XXXPXX-X21X C	
DWG. APPRD.					
ENG. REL. NO.		DWG		REV.	
REF.	EAR 12932	C			
DIMENSIONS ARE IN INCHES		CODE ID. NO.	03554	SCALE	2/1
		WT.		SURF.	
				SHEET 1 OF 2	

THIS DOCUMENT CONTAINS PROPRIETARY INFORMATION AND SUCH INFORMATION MAY NOT BE DISCLOSED TO OTHERS FOR ANY PURPOSE OR USED FOR MANUFACTURING PURPOSES WITHOUT WRITTEN PERMISSION FROM AMPHENOL CANADA CORP.

**.590 [14.99] FOOTPRINT**  
(STANDARD PCB LAYOUT)



**DIMENSIONS**

SIZE	A±.015 [0.38]	B±.005 [0.13]	C±.005 [0.13]	D BSC.
009	1.213 [30.81]	.666 [16.92]	.984 [24.99]	.432 [10.97]
015	1.541 [39.14]	.994 [25.25]	1.312 [33.32]	.756 [19.20]
025	2.088 [53.04]	1.534 [38.96]	1.852 [47.04]	1.304 [33.12]
037	2.729 [69.32]	2.182 [55.42]	2.500 [63.50]	1.956 [49.68]

LOCATE HOLES  
Φ [Ø.005 [0.13]]  
POSITION  
DIMENSIONS ARE  
BASIC

**SPECIFICATIONS:**

**MATERIALS:** ALL MATERIALS ARE RoHS COMPLIANT

**SHELL:** STEEL, NICKEL PLATED

**INSERTS:** HIGH TEMPERATURE RESISTANT NYLON, GLASS REINFORCED, UL FLAMMABILITY RATING 94V-0, COLOUR: BLACK

**CONTACTS:** COPPER ALLOY, GOLD PLATING (SEE ORDERING CODE) OVER 50µ" [1.27 MICRONS] NICKEL ON ENGAGEMENT AREA WITH 100µ" [2.54 MICRONS] MIN. MATTE TIN ON CONTACT TERMINALS.

**BOARDLOCK:** COPPER ALLOY, TIN PLATED

**ELECTRICAL DATA:**

**CURRENT RATING:** 5 AMP

**CONTACT RESISTANCE:** 15 MILLIOHMS MAX.

**INSULATION RESISTANCE:** 3000 MEGOHMS MIN.

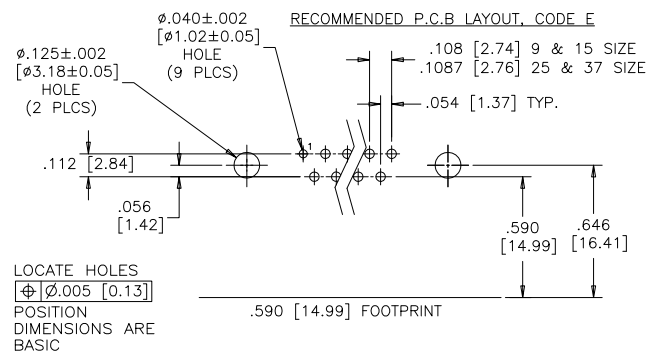
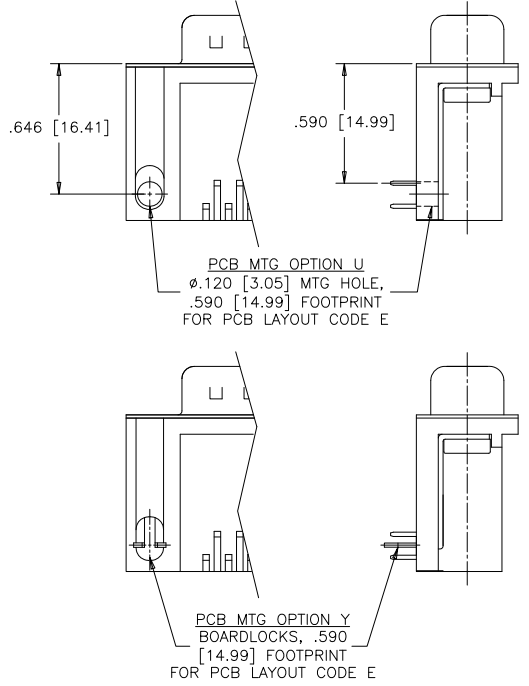
**DIELECTRIC WITHSTANDING VOLTAGE:** 1000 VAC rms

**OPERATING TEMPERATURE:** -55°C TO +105°C

REVISIONS

REV	ECN, ERN NO.	DATE	APPRD.
B	PRODUCT DRAWING (EAR 14576)	JULY18/17	K.L.
C	PRODUCT DRAWING (EAR 14658)	MAY07/18	K.L.

**.590 [14.99] FOOTPRINT**  
(PCB LAYOUT CODE E)



SEE SHEET 1 FOR ORDERING CODE

DRAWN	A.CHENG	DATE	APR17/06
DESIGNED			
CHECKED	K.LAMBIE	DATE	APR17/06
I. E. APPRD.			
Q. A. APPRD.			
DWG. APPRD.			
ENG. REL. NO.			
REF.	EAR 12932		
DIMENSIONS ARE IN	INCHES	CODE ID. NO.	03554

**Amphenol Canada Corp.**

TITLE  
6E17 SERIES D-SUB CONNECTOR, 9 TO 37 SIZE PIN, RIGHT ANGLE WITH F/P, MTG AND PLATING OPTIONS, RoHS COMPLIANT

DWG	DRAWING NO.	REV.
C	P-6E17X-XXXPXX-X21X	C
SCALE	2/1	WT. -----
SURF.	-----	SHEET 2 OF 2