

PLEASE CHECK WWW.MOLEX.COM FOR LATEST PART INFORMATION

Part Number: [5017838009](#)
Status: **Active**
Description: 0.50mm Pitch FFC-to-Board Connector Plug Jacket, 80 Circuits

Documents:

3D Model	Application Specification 5017832000-A00 (PDF)
Drawing (PDF)	Packaging Specification SPK-501783-001-001 (PDF)
Product Specification PS-501786-001-001 (PDF)	RoHS Certificate of Compliance (PDF)
Product Specification PS-501864-001-001 (PDF)	

Agency Certification

UL E29179

General

Product Family	Accessories
Series	501783
Comments	Requires a custom FFC with notches, Requires a custom FFC with notches
Component Type	Jacket
Product Name	Easy-On
UPC	822350228978

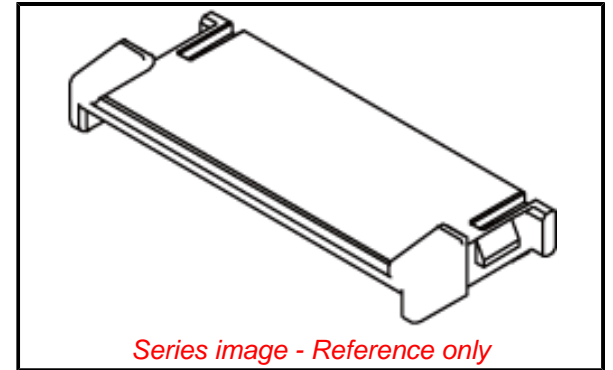
Physical

Circuits (Loaded)	80
Circuits (maximum)	80
Color - Resin	Black
Flammability	94V-0
Gender	Plug
Material - Resin	Polyester
Net Weight	503.800/mg
Packaging Type	Bag
Polarized to Mating Part	Yes
Temperature Range - Operating	-40° to +105°C

Material Info

Reference - Drawing Numbers

Application Specification	5017832000-A00
Packaging Specification	SPK-501783-001-001
Product Specification	PS-501786-001-001, PS-501864-001-001
Sales Drawing	SD-501783-001



EU ELV

Not Relevant

EU RoHS

Compliant

REACH SVHC

Not Contained Per - ED/71/2019 (16 July 2019)

Halogen-Free

Status

Not Low-Halogen

For more information, please visit [Contact US](#)

China ROHS

ELV

RoHS Phthalates

China RoHS

Green Image

Not Relevant

Not Contained

Search Parts in this Series

[501783 Series](#)

Use With

[501786](#) FFC-to-Board Connector, [501864](#) FFC-to-Board Connector, [501784](#) Plug Jacket Cover

Mouser Electronics

Authorized Distributor

Click to View Pricing, Inventory, Delivery & Lifecycle Information:

[Molex:](#)

[501783-8009](#)