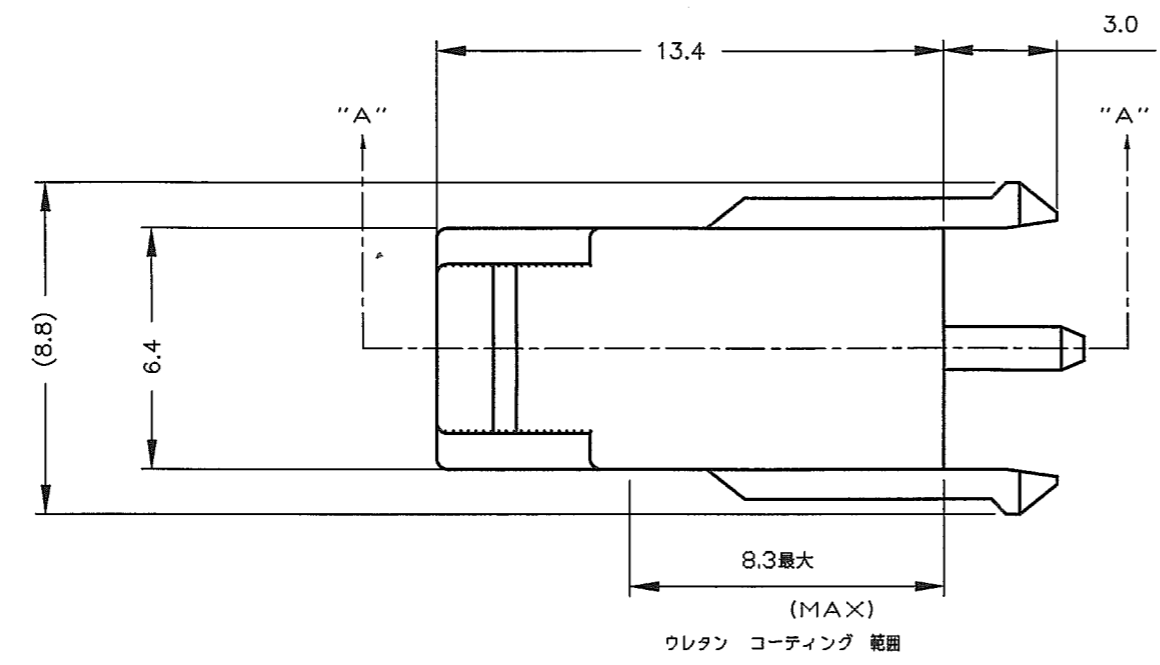


THIS DRAWING IS UNPUBLISHED. RELEASED FOR PUBLICATION
 © COPYRIGHT BY TYCO ELECTRONICS CORPORATION. ALL RIGHTS RESERVED.

LOC	DIST	REVISIONS						
		P	LTR	DESCRIPTION	DATE	DWN	APVD	
J	-	B		REDRAWN WITH CHANGE	FJDO-0068-03	7APR'03	K.K	M.S



- 注記:
- かん合相手製品型番: [-1123823-]
 - 取付け基板寸法: FIG. 1参照
FIG. 1のポスト用穴径はハトメを使用しない場合の寸法。
 - ハトメの適用条件はFIG. 2参照
 - 適用基板厚: 1.6+

- NOTES:
- MATING CONN P/N[-1123823-]
 - APPLICABLE P.C.B LAY OUT :SEE FIG.1
DIMENSION OF HOLE DIA FOR POST MOUNTING AT FIG1 INDICATES WITHOUT EYELET.
 - APPLICABLE EYELET :SEE FIG.2
 - APPLICABLE P.C.B THICKNESS : 1.6+

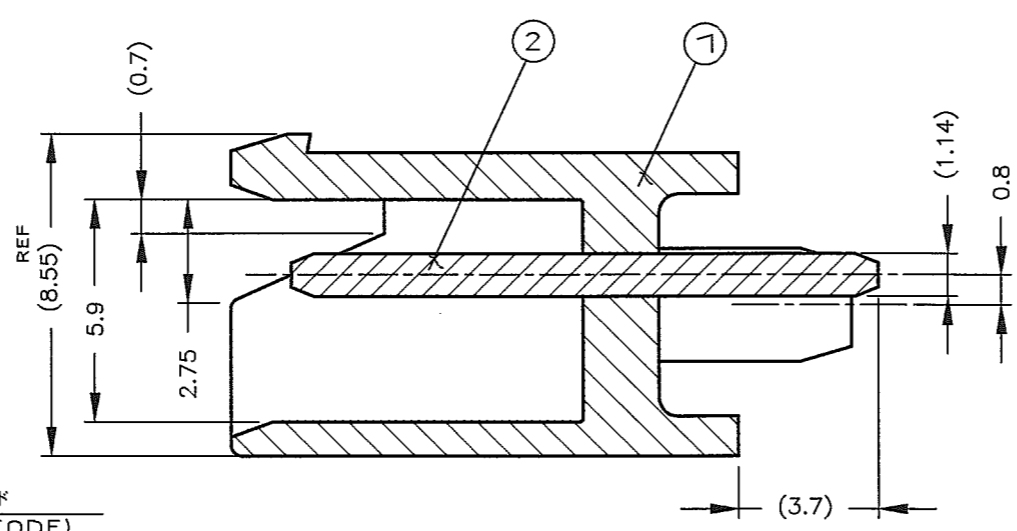
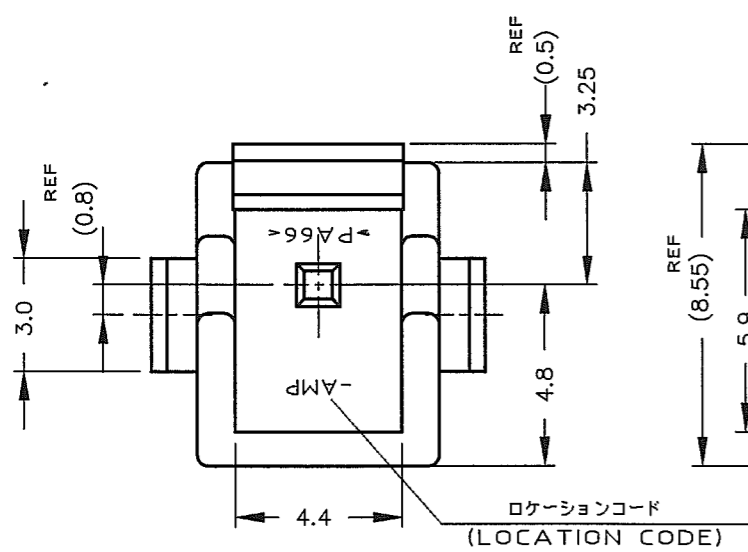
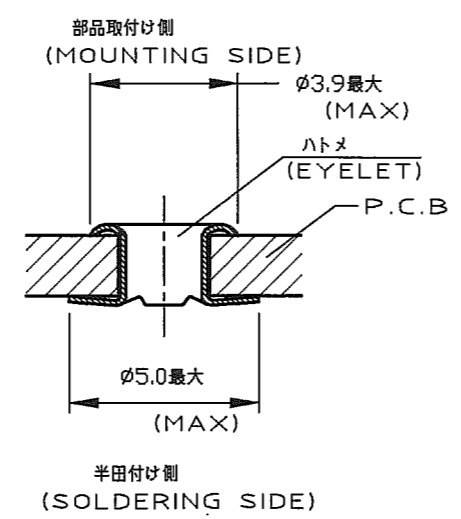
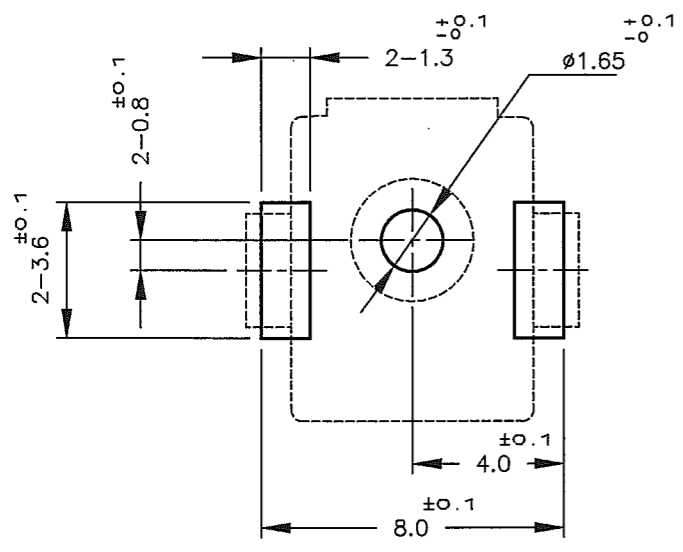


表1 (TABLE 1)

NO	名称 (NAME)	材料 (MATERIAL)
①	ヘッダーハウジング (HEADER HOUSING)	66ナイロン UL94V-0 (66NYLON UL94V-0)
②	ポストコンタクト (POST CONTACT)	錫めっき済み黄銅 (BRASS · TIN PL)



黒 (BLACK)	5-1123824-1
赤 (RED)	4-1123824-1
青 (BLUE)	3-1123824-1
黄 (YELLOW)	2-1123824-1
自然色 (NATURAL)	1-1123824-1
色 (COLOR)	型番 (PART NUMBER)

THIS DRAWING IS A CONTROLLED DOCUMENT.		DWN K.KOMACHI 07APR2003	Tyco Electronics AMP K.K. Kawasaki, Japan	
DIMENSIONS: 単位: 耗 MM		CHK M.SHINDO 7APR2003		
TOLERANCES UNLESS OTHERWISE SPECIFIED: 一般公差		APVD M.SHINDO 7APR2003	NAME 名称	
10 ≥ : ± 0.2		PRODUCT SPEC 製品規格	ECONOMY POWER(EP)CONN.1POS HEADER ASSY	
30 ≥ > 10 : ± 0.25		APPLICATION SPEC 取付適用規格	エコノミーパワー(EP)コネクタ	
100 ≥ > 30 : ± 0.3		WEIGHT	1POS ヘッダーアッセンブリ	
MATERIAL 材料 表1参照 (SEE TABLE1)	FINISH 仕上	CUSTOMER DRAWING	SIZE A3	CAGE CODE 00779
			DRAWING NO. 番号 C-1123824	RESTRICTED TO
			SCALE 尺度 1:1	SHEET 1 OF 1
			REV B	

Mouser Electronics

Authorized Distributor

Click to View Pricing, Inventory, Delivery & Lifecycle Information:

[TE Connectivity:](#)

[1-1123824-1](#)