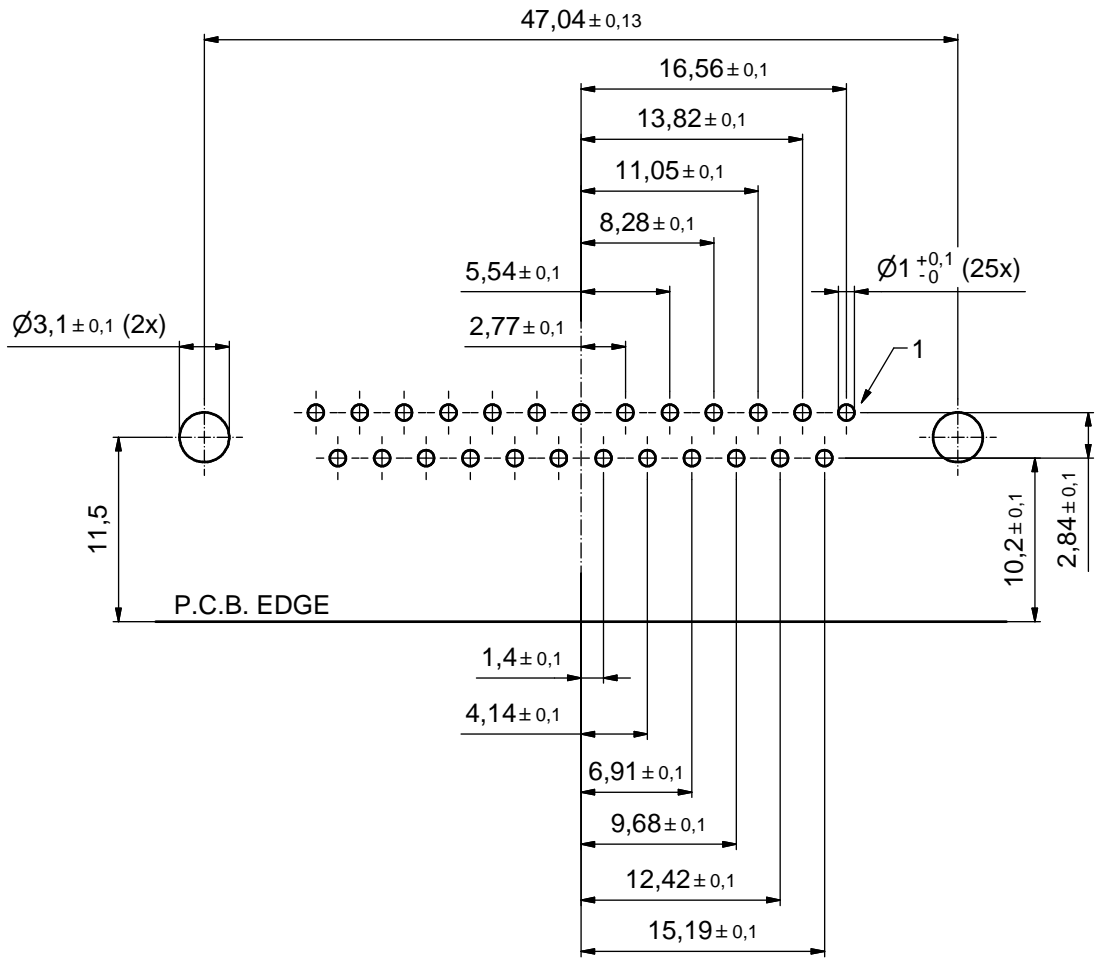


NOTES:

1. METALSHELLS: STEEL; min. 315µm TIN over 40-80µm NICKEL
2. INSULATORS: PBT GF UL 94 V-0; BLACK
3. CONTACTS: COPPER ALLOY; PLATING (SEE PART-NO.):
 - PLEASE ADD A for GOLD FLASH over NICKEL (PREFERRED TYPE)
 - PLEASE ADD B for 20µm HARD GOLD over min. 50µm NICKEL
 - PLEASE ADD C for 30µm HARD GOLD over min. 50µm NICKEL
4. METAL BRACKETS: ZINC DIE-CAST; 300µm COPPER/40-120µm NICKEL/120-200µm TIN
5. THREADED INSERTS: COPPER ALLOY; min. 200µm TIN over 80µm NICKEL
6. PCB-SNAPS: COPPER ALLOY; min. 200µm TIN over 80µm NICKEL
PCB-HOLE: $\varnothing 3.1 \pm 0.1$ mm; PCB THICKNESS 1.6mm
7. FIXING-PLATE: PBT GF UL 94 V-0; BLACK
8. P.C.B. HOLE DRILLINGS ON SHEET 2
9. MAXIMUM TORQUE VALUE FOR THREAD: 6 in.LB
10. CONNECTOR IS PART MARKED: **164□16789X CONEC ABC** (see note 3)

Directive 2002/95/EC RoHS compliant

THIS DRAWING MAY NOT BE COPIED OR REPRODUCED IN ANY WAY, AND MAY NOT BE PASSED ON TO A THIRD PARTY WITHOUT WRITTEN PERMISSION. OWNERSHIP AND COPYRIGHT OF CONEC GmbH DO NOT ALTER CAD DRAWING BY HAND				tolerance		dim. in mm	scale: 2:1 (5:1)	
							material: SEE NOTES	
		date	name		title: D-SUB FEMALE 90° 25pos. SOLDER PIN ANGLED 0.370inch with metal bracket, threaded insert, fixing-plate, snap			
		drawn	07.07.14 Lehmenkühler					
		appd.	08.07.14 Schmidt					
		norm			dwg no: (b) 16K1A3480 DIN-A3 sh: 1			
		d-old	16K1W5A					
3 x b	A5268	07.07.2014	Lehm.			part no: 164□16789X (see note 3)		
a	Original							
rev.	description	date	name					



P.C.B. HOLE DRILLINGS
(P.C.B. TOP SIDE)

THIS DRAWING MAY NOT BE COPIED OR REPRODUCED IN ANY WAY, AND MAY NOT BE PASSED ON TO A THIRD PARTY WITHOUT WRITTEN PERMISSION. OWNERSHIP AND COPYRIGHT OF CONEC GmbH DO NOT ALTER CAD DRAWING BY HAND				tolerance		scale: 3:1	
				dim. in mm		material: SEE SHEET 1	
	rev.	description	date	name	date	name	title: P.C.B. HOLE DRILLINGS D-SUB FEMALE 90° 25pos. SOLDER PIN ANGLED with metal bracket, threaded insert, fixing-plate, snap
	a	Original			drawn 07.07.14	Lehmenkühler	
					appd. 08.07.14	Schmidt	
					norm		
					d-old		dwg no:
							DIN-A3
							sh: 2
							part no: SEE SHEET 1

