

**IAC Series**

**AC Input Module**

 File E29244

Users should thoroughly review the technical data before selecting a product part number. It is recommended that users also seek out the pertinent approvals files of the agencies/laboratories and review them to ensure the product meets the requirements for a given application.

**Features**

- Industry standard package and pin-out.
- Color coded by function.
- 4000V rms optical isolation.
- High immunity to false operation.
- Series compatible.
- Compatible with 2IO series mounting boards.

**Engineering Data**

**Switch Form:** 1 Form A (SPST-NO)  
**Duty:** Continuous.  
**Operating Temperature:** -30°C to +80°C.  
**Storage Temperature:** -30°C to 100°C.  
**Potting Compound Flammability:** UL94V-0.  
**Approximate Weight:** 1.38 oz. (35g).

**Ordering Information**

Typical Part Number >

**IAC -5 A**

**1. Basic Series: IAC** = AC input module - yellow case

**2. Logic Voltage:** 5 = 5VDC  
 15 = 15VDC  
 24 = 24VDC

**3. Input:** Blank = 120VAC input (90-140VAC) \*\*  
 A = 240VAC input (180-280VAC) \*\*  
 E = 18-36VAC input \*\*

\*\* Is not polarity sensitive.

**Our authorized distributors are more likely to maintain the following items in stock for immediate delivery.**

- IAC-5
- IAC-5A
- IAC-5E
- IAC-15
- IAC-24

**IAC Series**(Continued)

**AC Input Module**

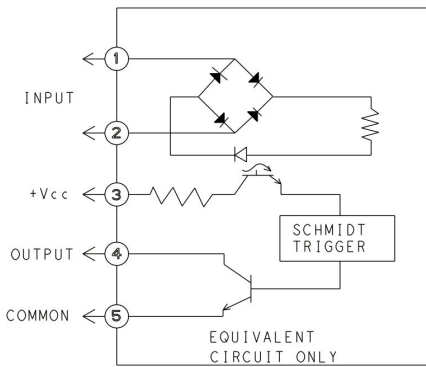
**Input Specifications**

Parameter	Conditions	Units	IAC-5			IAC-5A			IAC-5E		
			IAC-15	IAC-24		IAC-15A	IAC-24A		IAC-15E	IAC-24E	
			Min.	Typ.	Max.	Min.	Typ.	Max.	Min.	Typ.	Max.
Control Voltage Range $V_{IN}$		VAC	90	120	140	180	240	280	18	24	36
Must Operate Voltage $V_{IN(OP)}$		VAC			90			180			18
Must Release Voltage $V_{IN(REL)}$		VAC	60			60			10		
Max. Input Current	@ $V_{IN} = \text{Max.}$	mA		1 - 5			1 - 8			0.2 - 2.0	
Input Resistance		Ohms		28K			35K			18K	

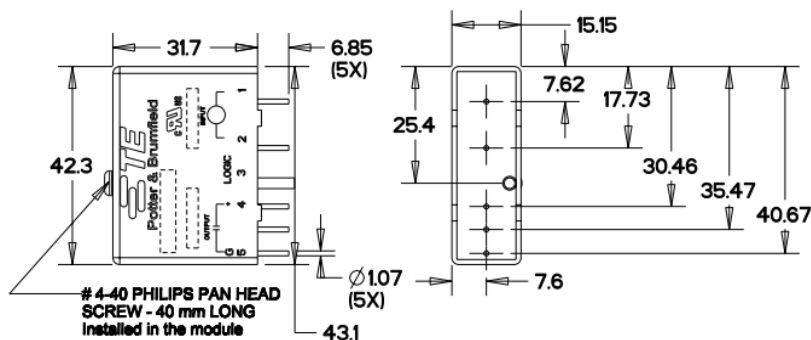
**Output Specifications (@ +25°C unless otherwise specified)**

Parameter	Conditions	Units	IAC-5			IAC-15			IAC-24		
			IAC-5A	IAC-5E		IAC-15A	IAC-15E		IAC-24A	IAC-24E	
			Min.	Typ.	Max.	Min.	Typ.	Max.	Min.	Typ.	Max.
Maximum Output Voltage		VDC			30			30			30
Maximum Output Current		mADC			50			50			50
Maximum Output Leakage Current	$V_{OUT} = \text{Max.}$	mA			10			10			10
Maximum Output Voltage Drop	$I_{SINK} = 50\text{mA}$	VDC			0.2			0.2			0.2
Logic Supply Voltage $V_{CC}$		VDC	3	5	6	12	15	18	20	24	30
Logic Supply Current	$V_{CC} = \text{Max.}$	mADC			15			15			15
Turn-On Time (Nominal)	$I_{SINK} = 25\text{mA}$	ms			20			20			20
Turn-Off Time (Nominal)	$I_{SINK} = 25\text{mA}$	ms			30			30			30
Output Type (Open Collector)			Normally Open <sub>(SINKING)</sub>			Normally Open <sub>(SINKING)</sub>			Normally Open <sub>(SINKING)</sub>		

**IAC Operating Diagram**



**Outline Dimensions**



DIMENSION IN mm

# Mouser Electronics

Authorized Distributor

Click to View Pricing, Inventory, Delivery & Lifecycle Information:

[TE Connectivity:](#)

[OACM-UH](#)