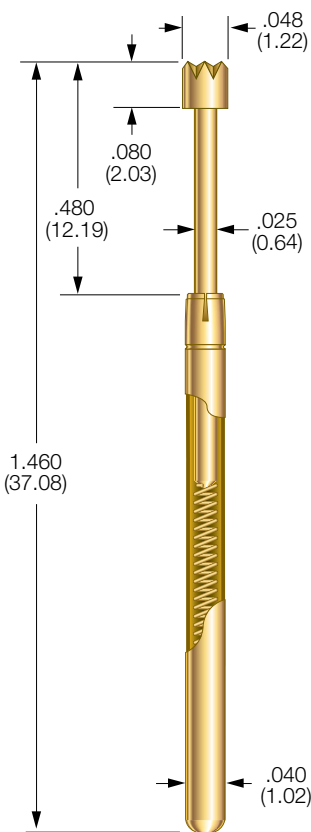
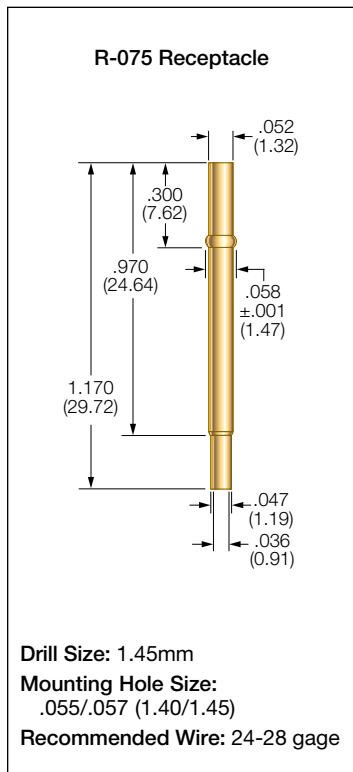


**ICT-L075 PROBE**



**PROBE SPECIFICATIONS**

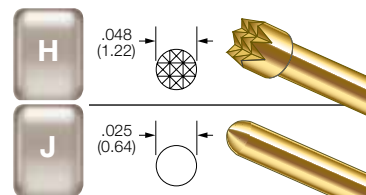
Minimum Centers: .075 (1.91)  
 Current Rating: 3 amps continuous  
 Spring Force: 4.3 oz. @ .317 (8.05) travel  
 Typical Resistance: < 15 mΩ  
 Maximum Travel: .400 (10.16)  
 Working Travel: .317 (8.05)

Rated Force oz (g)	Preload oz (g)
4.3 (122)	1.8 (51)

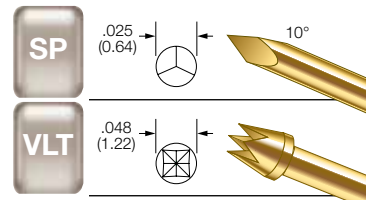
**MATERIALS**

Barrel: G2  
 Spring: Music wire, gold plated  
 Plunger: Beryllium copper or steel, gold plated over nickel  
 Receptacle: Nickel/silver, gold plated; gold plated post

**BeCu PLUNGER TIPS**



**STEEL PLUNGER TIPS**



**RECEPTACLE OPTIONS**

Part Number	Style	Receptacle Length	Probe/Receptacle Combined Length	Comments
R-075-CR	Crimp	1.170 (29.72)	1.650 (41.91)	—
R-075-SC	Solder Cup	1.170 (29.72)	1.650 (41.91)	—
R-075-RP	Round Post	1.545 (39.24)	2.025 (51.44)	.375 post length - .025 dia.
R-075-WW-429	Wire Wrap	1.599 (40.61)	2.079 (52.81)	.429 post length - .025 sq.
R-075-WW-694	Wire Wrap	1.864 (47.35)	2.344 (59.54)	.694 post length - .025 sq.
R-075-WW-1.044	Wire Wrap	2.214 (56.24)	2.694 (68.43)	1.044 post length - .025 sq.

**HOW TO ORDER: SPRING CONTACT PROBE**

**RECEPTACLE**

<b>ICT</b>	<b>L075</b>	<b>H</b>	<b>4.3</b>	<b>G</b>	<b>S</b>	<b>R</b>	<b>075</b>	<b>WW</b>	<b>429</b>
SERIES	SIZE	TIP STYLE	SPRING FORCE	PLATING OPTIONS	STEEL PLUNGER OPTION	SERIES	SIZE	TERMINATION	POST LENGTH
SPRING FORCE: 4.3 oz. @ .317 (8.05) TRAVEL  CRIMPING PLIERS: CPR075 INSERTION TOOL: RTR075						TERMINATIONS: CR: CRIMP SC: SOLDER CUP WW: WIRE WRAP RP: ROUND POST POST LENGTH: WW: 429, 694 OR 1.044			

VIEW UPDATES OF THIS INFORMATION AT [WWW.IDINET.COM](http://WWW.IDINET.COM)

Specifications subject to change without notice. Dimensions in inches (millimeters)

# Mouser Electronics

Authorized Distributor

Click to View Pricing, Inventory, Delivery & Lifecycle Information:

[Smiths Interconnect:](#)

[ICT-L075-H-4.3-G](#) [ICT-L075-SP-4.3-D-S](#) [ICT-L075-J-4.3-G](#) [ICT-L075-SP-4.3-G-S](#)