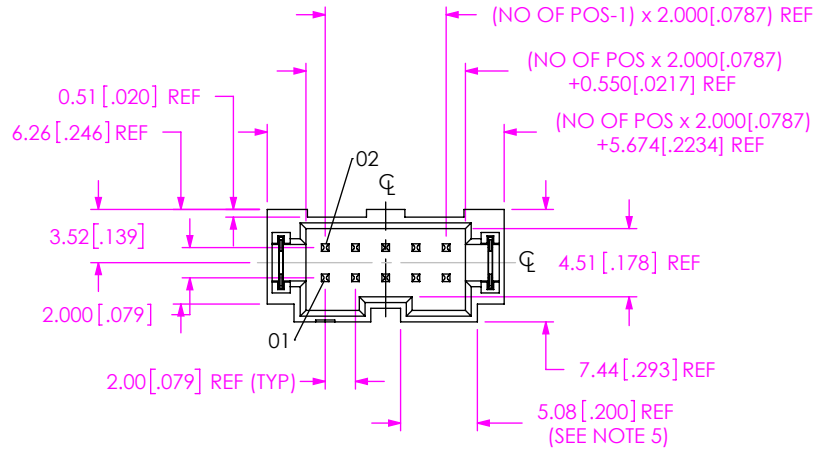


**DESIGNED & DIMENSIONED  
IN MILLIMETERS[INCHES]**

DO NOT  
SCALE FROM  
THIS PRINT

**T2M-1XX-XX-X-D-XX-XX**



**No OF POSITIONS**

\*\*-.02, \*\*-.03, \*\*-.04, -.05, -.06, -.07, -.08, -.09, -.10, -.14, -.15, -.20, -.25, -.30, & -.50 (PER ROW) AVAILABLE AS STANDARD; OTHER SIZES BETWEEN -.05 THRU -.50 AVAILABLE AS ASO

**LEAD STYLE**

-01

**PLATING SPECIFICATION**

-L: 10μ" SELECTIVE GOLD IN CONTACT AREA, MATTE TIN ON TAIL (USE T-1S13-XX-L-2)  
-S: 30μ" SELECTIVE GOLD IN CONTACT AREA, MATTE TIN ON TAIL (USE T-1S13-XX-S-2)

**ROW SPECIFICATION**

-D: DOUBLE ROW

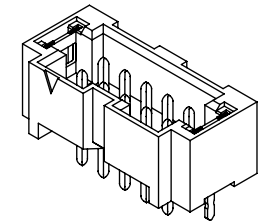
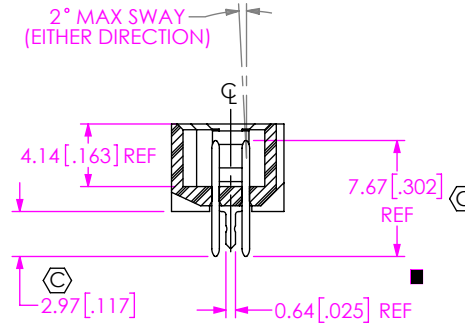
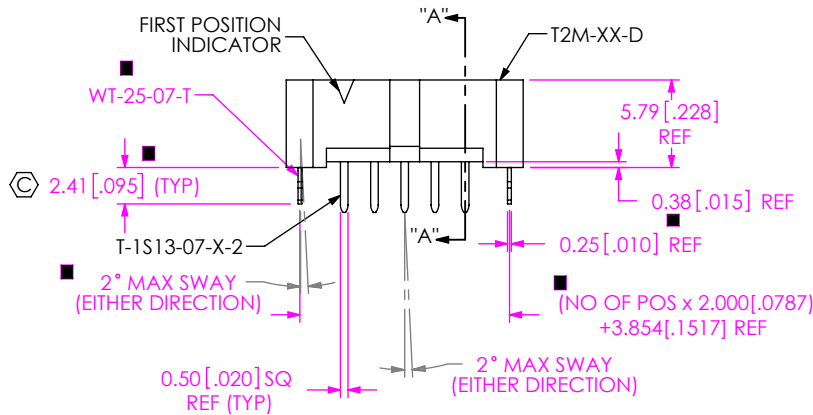
**OPTION**

-DS: DUAL SCREW DOWN (SEE FIG 6, SHT 3) (FOR 1.57mm [.062] PCB) (AVAILABLE 5-30 POSITIONS ONLY) (NOT AVAILABLE WITH -RA, -WT OPTIONS) (USE T-1S13-04-X-2 WITH TH OPTION AND TI-M2-4-VSFM-T, USE T-1S13-20-X-2 WITH SM OPTION AND TI-M2-4-VSFM-T)  
-K: POLYIMIDE FILM (-SM OPTION ONLY) (USE K-DOT-.295-.406-.005, SEE FIG 4) (NOT AVAILABLE IN -.02, -.03 OR -.04 POSITIONS)  
-TR: TAPE & REEL (-SM OPTION ONLY) (NOT AVAILABLE IN -.02, -.03 OR -.04 POSITIONS)  
-WT: WELD TAB : (USE WT-25-07-T); (-SM, SEE FIG 3, SHT 2) (-TH, SEE FIG 5, SHT 2) -RA: (USE WT-81-01-T)

**OPTION**

-TH: THROUGH HOLE (SEE FIG 1)  
-RA: RIGHT ANGLE (SEE FIG 2)  
-SM: SURFACE MOUNT (SEE FIG 3, SHT 2)

\*\* = ONLY AVAILABLE WITH -SM-WT OR -RA-WT OPTIONS



**FIG 1**  
T2M-105-01-X-D-TH-XX  
(■ = ONLY APPLICABLE WITH -WT OPTION)

**NOTES:**

- ⊕ REPRESENTS A CRITICAL DIMENSION.
- MINIMUM PUSHOUT FORCE: 4.44N[1.0 LB].
- POST HEIGHT VARIATION BETWEEN ANY TWO PINS: 0.13[.005] MAXIMUM.
- MAXIMUM PIN ROTATION IN BODY TO BE 2°.
- DUAL POLARIZATION SLOT NOT AVAILABLE ON CONNECTOR WITH LESS THAN 5 POSITIONS.
- MINIMUM RETENTION FORCE FOR WELD TABS: 4.44N[1.0 LB].

UNLESS OTHERWISE SPECIFIED, DIMENSIONS ARE IN MILLIMETERS.  
TOLERANCES ARE:  
DECIMALS ANGLES  
X.X: ±0.3 [.01] 2°  
X.XX: ±0.13 [.005]  
X.XXX: ±0.051 [.0020]

**PROPRIETARY NOTE**

THIS DOCUMENT CONTAINS CONFIDENTIAL AND PROPRIETARY INFORMATION AND ALL DESIGN, MANUFACTURING, REPRODUCTION, USE, PATENT RIGHTS AND SALES RIGHTS ARE EXPRESSLY RESERVED BY SAMTEC, INC. THIS DOCUMENT SHALL NOT BE DISCLOSED, IN WHOLE OR PART, TO ANY UNAUTHORIZED PERSON OR ENTITY NOR REPRODUCED, TRANSFERRED OR INCORPORATED IN ANY OTHER PROJECT IN ANY MANNER WITHOUT THE EXPRESS WRITTEN CONSENT OF SAMTEC, INC.

**MATERIAL:** DO NOT SCALE DRAWING SHEET SCALE: 2:1  
INSULATOR: LCP, COLOR: BLACK  
TERMINAL: PHOS BRONZE  
WELD TAB: PHOS BRONZE  
KAPTON: POLYIMIDE FILM



520 PARK EAST BLVD, NEW ALBANY, IN 47150  
PHONE: 812-944-6733 FAX: 812-948-5047  
e-Mail info@SAMTEC.com code 55322

DESCRIPTION:	2mm SHROUDED TERMINAL STRIP	
DWG. NO.	T2M-1XX-XX-X-D-XX-XX	
BY:	J. BORGELT	3/23/09 SHEET 1 OF 3

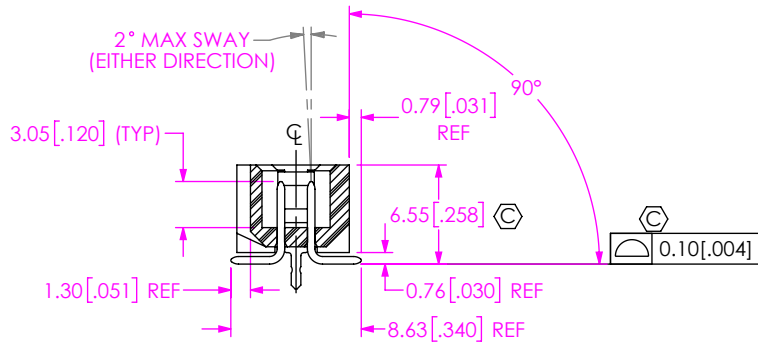
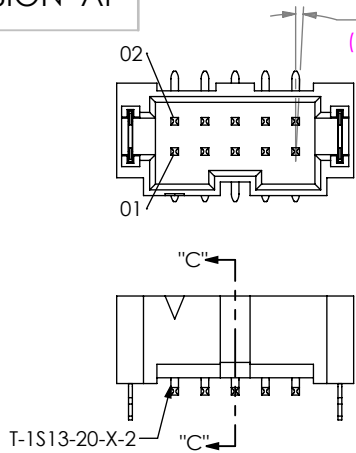


FIG 3  
T2M-105-01-X-D-SM-WT SHOWN  
(SAME AS FIG 1, EXCEPT AS SHOWN)

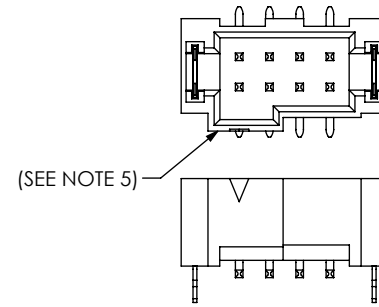
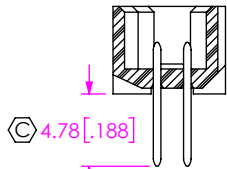
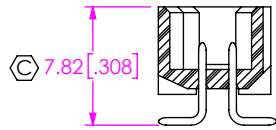


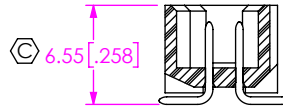
FIG 5  
T2M-104-01-X-D-SM-WT  
(SAME AS FIG 1, EXCEPT AS SHOWN)  
(T2M-102-01-X-D-SM-WT SIMILAR)



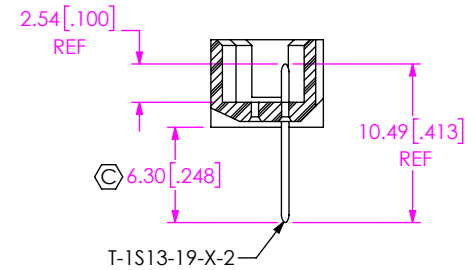
-SM IN PROCESS 1



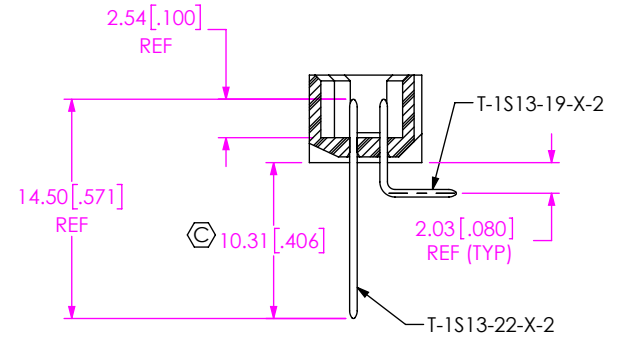
-SM IN PROCESS 2



-SM IN PROCESS 3



-RA IN PROCESS 1



-RA IN PROCESS 2

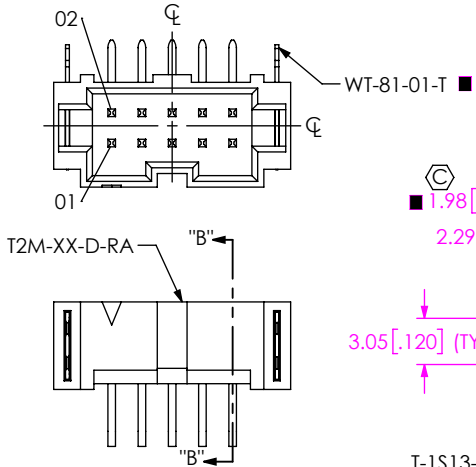
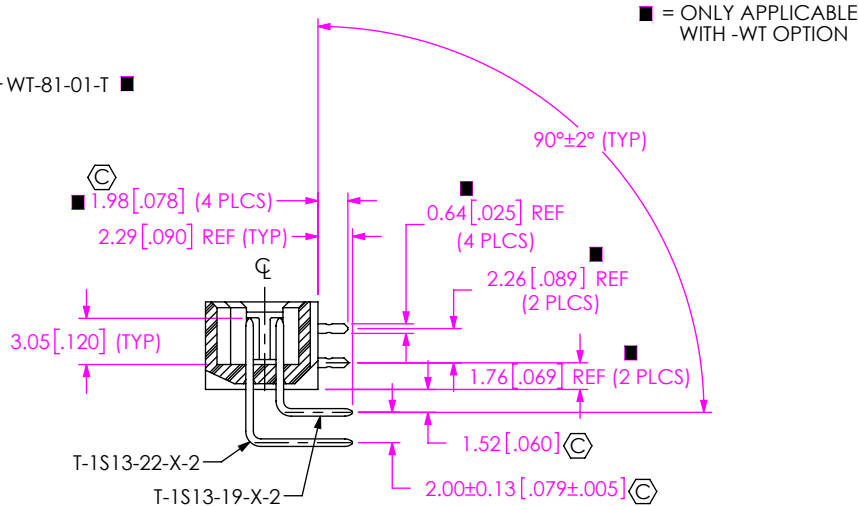
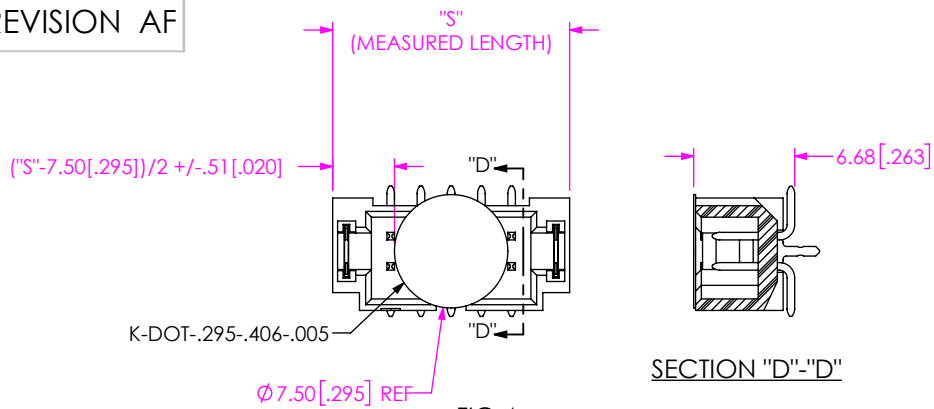
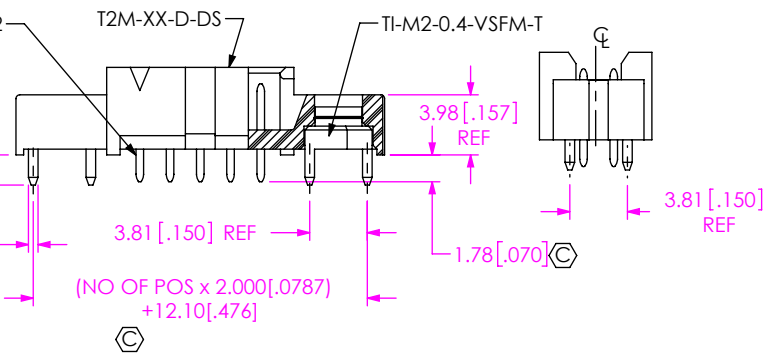
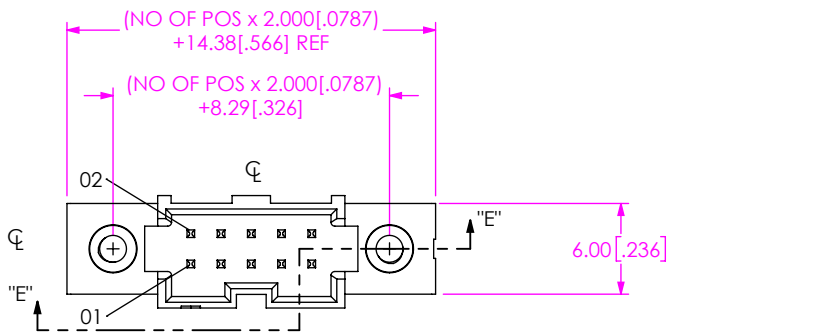


FIG 2  
T2M-105-01-X-D-RA-XX  
(SAME AS FIG 1, EXCEPT AS SHOWN)

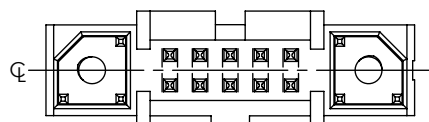




**FIG 4**  
T2M-105-01-X-D-SM-K SHOWN  
(FOR SURFACE MOUNT OPTION ONLY)



**SECTION "E"-"E"**

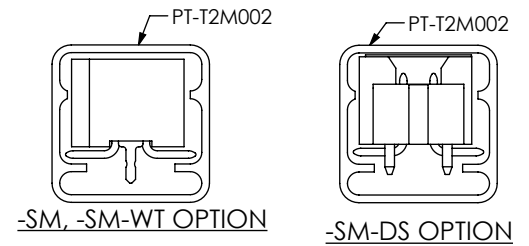
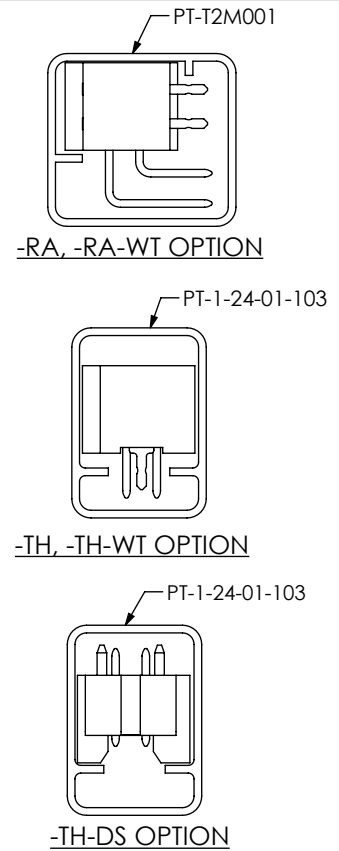
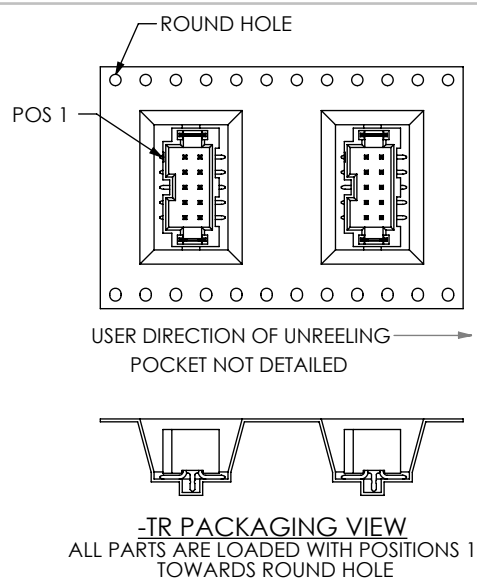


**FIG 6**  
T2M-105-01-X-D-TH-DS SHOWN  
(SAME AS FIG 1, EXCEPT AS SHOWN)  
(ONLY AVAILABLE WITH -TH & -SM OPTION)

**SECTION "D"-"D"**

**TABLE 1**

OPTIONS	PACKAGING TUBE	PLUG
-TH, -TH-WT	PT-1-24-01-103	TP-09
-SM, -SM-WT	PT-T2M002	TP-09
-RA, -RA-WT	PT-T2M001	TP-07
-TH-DS	PT-1-24-01-103	TP-09
-SM-DS	PT-T2M002	TP-09



**PACKAGING**  
ALL PARTS ARE LOADED WITH POSITIONS 1  
TOWARDS ARROW

**PROPRIETARY NOTE**  
THIS DOCUMENT CONTAINS CONFIDENTIAL AND PROPRIETARY INFORMATION AND ALL DESIGN, MANUFACTURING, REPRODUCTION, USE, PATENT RIGHTS AND SALES RIGHTS ARE EXPRESSLY RESERVED BY SAMTEC, INC. THIS DOCUMENT SHALL NOT BE DISCLOSED, IN WHOLE OR PART, TO ANY UNAUTHORIZED PERSON OR ENTITY NOR REPRODUCED, TRANSFERRED OR INCORPORATED IN ANY OTHER PROJECT IN ANY MANNER WITHOUT THE EXPRESS WRITTEN CONSENT OF SAMTEC, INC.

DO NOT SCALE DRAWING  
SHEET SCALE: 2:1

**samtec**  
520 PARK EAST BLVD, NEW ALBANY, IN 47150  
PHONE: 812-944-6733 FAX: 812-948-5047  
e-Mail info@SAMTEC.com code 55322

DESCRIPTION: 2mm SHROUDED TERMINAL STRIP  
DWG. NO. T2M-1XX-XX-X-D-XX-XX  
BY: J. BORGELT 3/23/09 SHEET 3 OF 3