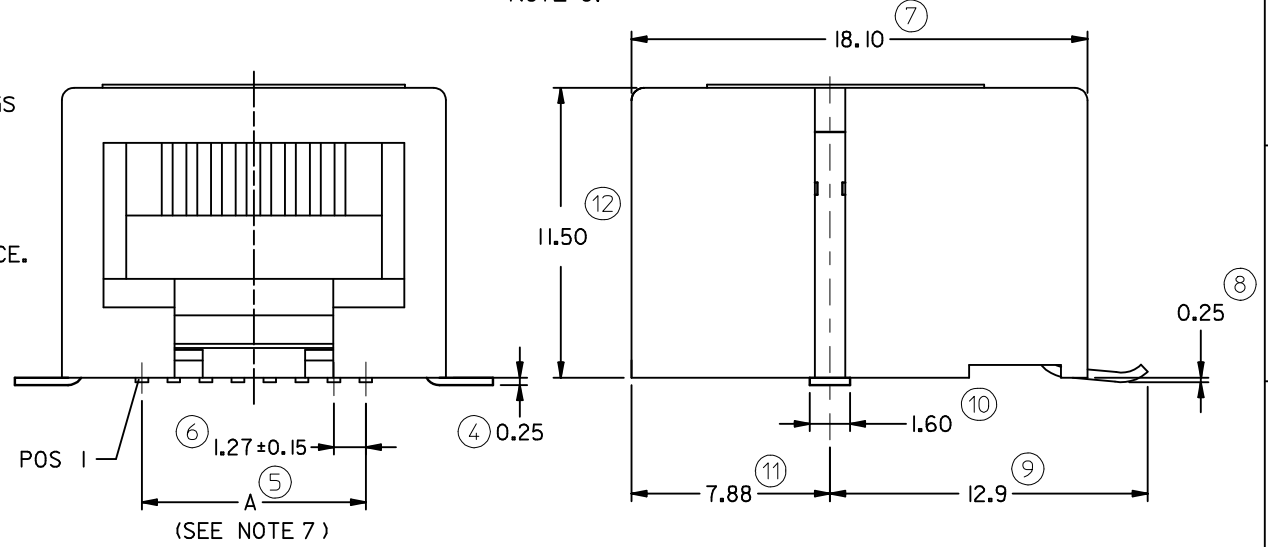
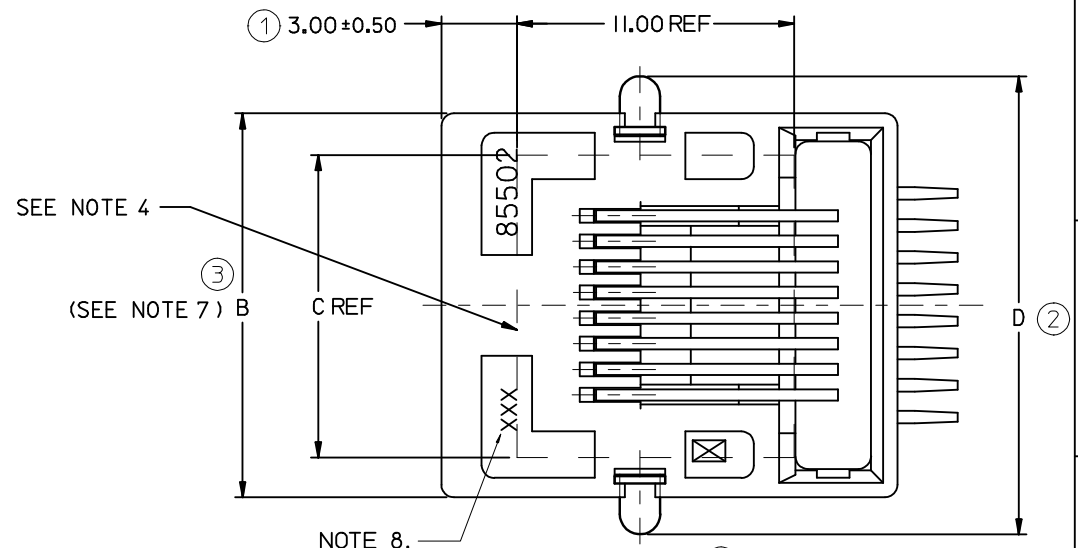


NOTES:

1- MATERIAL:

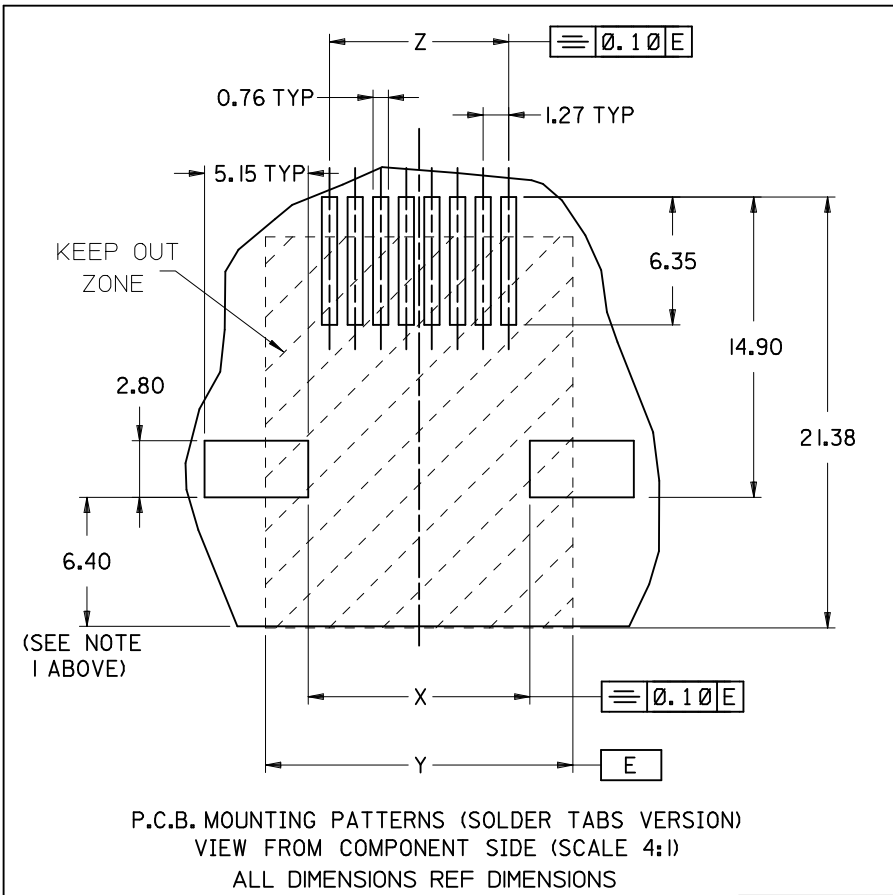
HOUSING: LCP GLASS FILLED UL 94V0 COLOUR: BLACK
 TERMINAL: COPPER ALLOY PLATED WITH:
 BASE FINISH: NICKEL
 CONTACT SURFACE FINISH:
 GOLD
 OR
 GOLD FLASH OVER PALLADIUM NICKEL.
 EXCEEDS PRODUCT REQUIREMENTS BASED ON PS-95501
 SOLDER TABS: BRASS PLATED WITH 0.0020 MIN TIN.

- 2- JACK FOR MATING WITH IEC 60603-7 AND TIA-1096-A PLUGS (MOLEX 90075 SERIES)
- 3- PRODUCT SPECIFICATION: MOLEX PS-95501
- 4- POLYIMIDE ADHESIVE TAPE FOR PICK & PLACE SURFACE. THICKNESS: 125 μm
- 5- PACKAGING SPECIFICATION: MOLEX PK-85502. (BLISTER PACKAGING).
- 6- COPLANARITY OF SIGNAL LEADS: 0.10
- 7- SEE DIMENSIONS IN CHART ON SHEET 2.
- 8- MANUFACTURING I.D. CAN BE EITHER MG, MXF OR MXI.
- 9- APPLICATION SPECIFICATION: AS-85513-001
- LAST INSPECTION NUMBER: 12



CHANGED PRODUCT SPEC: EC NO: IPG2013-0771 DRWN:DBYRNES 2012/11/23 CHKD: APPR:STGRIFFIN 2012/12/13 REV DESCRIPTION	QUALITY SYMBOLS	GENERAL TOLERANCES (UNLESS SPECIFIED)	DIMENSION STYLE	SCALE	DESIGN UNITS	THIRD ANGLE PROJECTION
	▽=0 ◻=0	mm INCH 4 PLACES ± --- ± --- 3 PLACES ± --- ± --- 2 PLACES ± 0.25 ± --- 1 PLACE ± 0.35 ± --- ANGULAR ± 2 °	MM ONLY	5:1	METRIC	☉ ◻ THIRD ANGLE PROJECTION
			DRAWN BY DATE DB 2006/06/12 CHECKED BY DATE EOMAHONY 2006/06/15 APPROVED BY DATE EOMAHONY 2006/06/15 MATERIAL NO.	TITLE	R/A LOW PROFILE TRUE SMT 4,6 & 8 CONTACTS PC JACK WITH SIDE SOLDER TABS	
		DRAFT WHERE APPLICABLE MUST REMAIN WITHIN DIMENSIONS	SEE CHART SHT 2 SIZE A3 THIS DRAWING CONTAINS INFORMATION THAT IS PROPRIETARY TO MOLEX INCORPORATED AND SHOULD NOT BE USED WITHOUT WRITTEN PERMISSION	MOLEX MOLEX INCORPORATED DOCUMENT NO. SD-85502-101	SHEET NO.	1 OF 2

NOTES
 1: RECOMMENDED DISTANCE FROM THE PCB'S EDGE
 2: PLATING SEE SHEET ONE



PART NUMBERS FOR TRUE SMT JACK WITH SOLDER TABS									
HOUSING COLOR	POS 4	TOOLED	POS 6	TOOLED	POS 6	TOOLED	POS 8	TOOLED	
	4 CKTS		4 CKTS		6 CKTS		8 CKTS		
STANDARD VERSION	BLACK	85502-5005	X	85502-5006	X	85502-5007	X	85502-5008	X

TYPE	POS 4	POS 6		POS 8
	4 CKTS	4 CKTS	6 CKTS	8 CKTS
A ±0.15	3.81	3.81	6.35	8.89
B	11.18	13.21	13.21	15.24
C (REF)	8.50	8.50	8.50	12.00
D ±0.35	14.13	16.16	16.16	18.19
X ±0.10	6.94	8.97	8.97	11.00
Y (REF)	11.18	13.21	13.21	15.24
Z ±0.05	3.81	3.81	6.35	8.89

P.C.B. MOUNTING PATTERNS (SOLDER TABS VERSION)
 VIEW FROM COMPONENT SIDE (SCALE 4:1)
 ALL DIMENSIONS REF DIMENSIONS

SEE SHEET 1
 EC NO: IPG2012-0603
 DRW:DBYRMS 2012/03/30
 CHKD:SMGREVY 2012/04/02
 APPR:EFOLAN 2012/06/26

QUALITY SYMBOLS
 ▽=0
 ◻=0

GENERAL TOLERANCES (UNLESS SPECIFIED)

	mm	INCH
4 PLACES	± ---	± ---
3 PLACES	± ---	± ---
2 PLACES	± 0.25	± ---
1 PLACE	± 0.35	± ---

ANGULAR ± 2 °

DRAFT WHERE APPLICABLE MUST REMAIN WITHIN DIMENSIONS

DIMENSION STYLE
MM ONLY

DRAWN BY: DB
 DATE: 2006/06/12

CHECKED BY: EOMAHONY
 DATE: 2006/06/15

APPROVED BY: EOMAHONY
 DATE: 2006/06/15

MATERIAL NO.

SCALE: 5:1
 DESIGN UNITS: METRIC
 THIRD ANGLE PROJECTION

TITLE: R/A LOW PROFILE TRUE SMT 4,6 & 8 CONTACTS PC JACK WITH SIDE SOLDER TABS

MOLEX INCORPORATED

DOCUMENT NO: SD-85502-101
 SHEET NO: 2 OF 2

SIZE: A3
 THIS DRAWING CONTAINS INFORMATION THAT IS PROPRIETARY TO MOLEX INCORPORATED AND SHOULD NOT BE USED WITHOUT WRITTEN PERMISSION