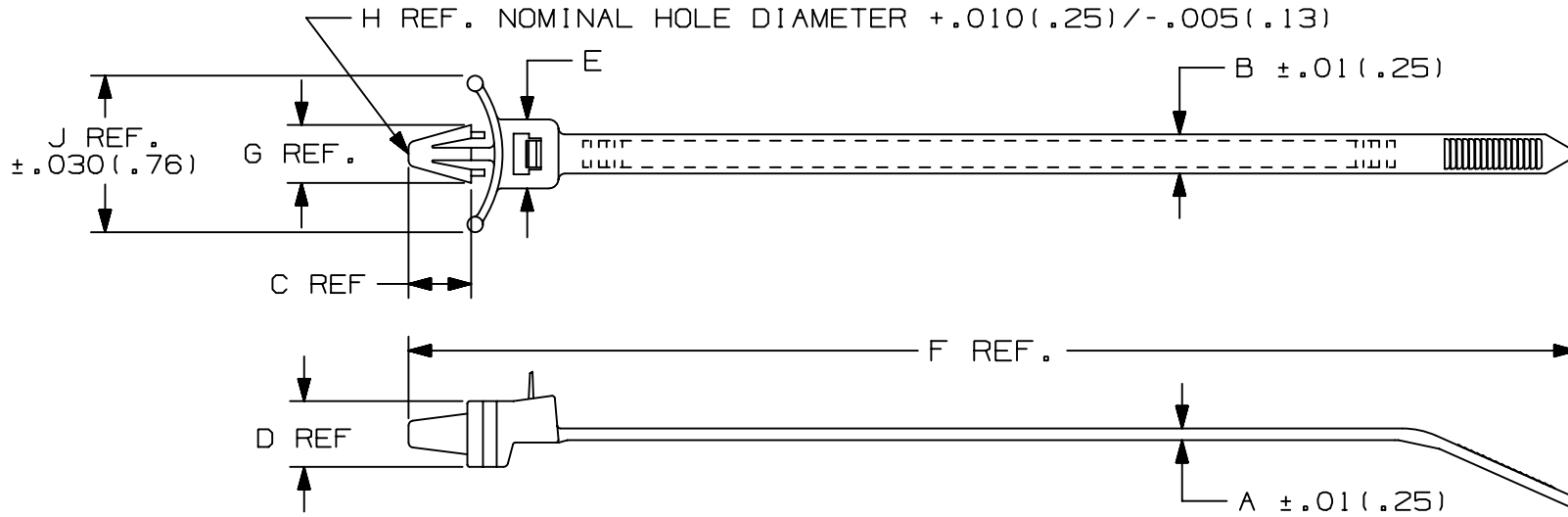


THIS COPY IS PROVIDED ON A RESTRICTED BASIS AND IS NOT TO BE USED IN ANY WAY DETRIMENTAL TO THE INTERESTS OF PANDUIT CORP.



PANDUIT PART NO.*	BUNDLE DIA.		A in (mm)	B in (mm)	C in (mm)	D in (mm)	E in (mm)	F in (mm)	G in (mm)	H in (mm)	J in (mm)	MAX. PANEL THICKNESS in (mm)	MIN. LOOP TENSILE lbs (N)	CROSS SECTION	WEIGHT 100 pcs lbs (g)
	MIN. in (mm)	MAX. in (mm)													
PRWP1S	.06 (1.5)	1.00 (25.4)	.052 (1.3)	.190 (4.8)	.300 (7.6)	.370 (9.4)	.320 (8.1)	5.2 (132)	.33 (8.4)	.250 (6.4)	.74 (18.8)	.105 (2.7)	50 (222)	STANDARD	.29 (132)
PRWP1.5S	.06 (1.5)	1.50 (38.1)	.052 (1.3)	.190 (4.8)	.300 (7.6)	.370 (9.4)	.320 (8.1)	6.8 (173)	.33 (8.4)	.250 (6.4)	.74 (18.8)	.105 (2.7)	50 (222)	STANDARD	.34 (154)
PRWP2S	.06 (1.5)	1.75 (44.5)	.052 (1.3)	.190 (4.8)	.300 (7.6)	.370 (9.4)	.320 (8.1)	7.8 (198)	.33 (8.4)	.250 (6.4)	.74 (18.8)	.105 (2.7)	50 (222)	STANDARD	.37 (168)

NOTES:

- \*1) SEE CURRENT PRICE SHEET FOR PART NUMBER SUFFIX DESIGNATION FOR PACKAGE SIZE & PART COLOR.
- 2) RECOGNIZED UNDER THE COMPONENT PROGRAM OF UNDERWRITERS LABORATORIES INC.

DIMENSIONS IN PARENTHESES ARE IN METRIC UNITS

PANDUIT CORP. TINLEY PARK, ILLINOIS

RELEASING WING PUSH MOUNT TIE  
PRWP

UNLESS OTHERWISE SPECIFIED,  
DIMENSIONAL TOLERANCES ARE:  
(.X)  $\pm .1(2.5)$  (.XXX)  $\pm .020(.51)$   
(.XX)  $\pm .02(.5)$  ANGLES: ---

UNLESS OTHERWISE SPECIFIED,  
ALL DIMENSIONS ARE GIVEN  
IN INCHES, THIRD ANGLE PROJECTION.

DRAWN BY  
WKS

MAT'L:

DATE  
3-31-87

NYLON 6/6

SCALE  
NONE

DRAWING NO.  
SS-17556

DWG  
A  
SIZE

9	1/19/04	JABO		CHANGED FORMAT FOR CONSISTENCY SEE ECN FOR DETAILS	17556	9									
REV	DATE	BY	CHK	DESCRIPTION	ECN	R	CUST	SUP							

CHK'D  
HVP

# Mouser Electronics

Authorized Distributor

Click to View Pricing, Inventory, Delivery & Lifecycle Information:

[Panduit:](#)

[PRWP1S-D](#) [PRWP1S-D0](#) [PRWP1.5S-D0](#) [PRWP2S-D0](#) [PRWP1.5S-D](#) [PRWP1.5S-D20](#)