

PRODUCT NUMBER

10072354-X01-XXXLF

RoHS COMPATIBLE, SEE NOTE 6

PACKAGING (SEE NOTE 5)

PLATING  
S = 0.38µm GOLD/GXT ON CONTACT AREA  
2µm MIN MATTE TIN ON TAIL

G = 0.76µm GOLD/GXT ON CONTACT AREA  
2µm MIN MATTE TIN ON TAIL

F = GOLD FLASH ON CONTACT AREA  
2µm MIN MATTE TIN ON TAIL  
1.27µm MIN NICKEL UNDERPLATING

TOTAL NB OF POSITIONS, 04 TO 50

COLOR OPTION, NOTE 1

NOTES:

- MATERIAL HOUSING: HIGH TEMP. THERMOPLASTIC UL94V-0 MEETS GWT 850°C 960°C  
- = STANDARD COLOR CREAM  
B = OPTIONAL COLOR BLACK
- MATERIAL TERMINAL: COPPER ALLOY
- TO DETERMINE DIMENSIONS:  
N = NUMBER OF POSITIONS PER ROW
- 7N MIN. PIN RETENTION IN EITHER DIRECTION.
- PACKAGING:  
= PLASTIC BOX  
U = TUBE AVAILABLE FROM 06 TO 50 POS  
K = TAPE & REEL WITHOUT PICK UP CAP, AS AVAILABLE

6. RoHS COMPATIBLE PRODUCT SPECIFICATIONS

a - PLATING:

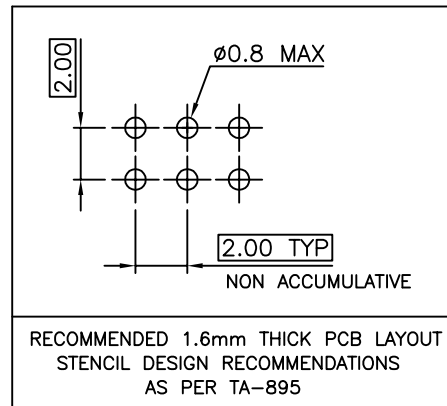
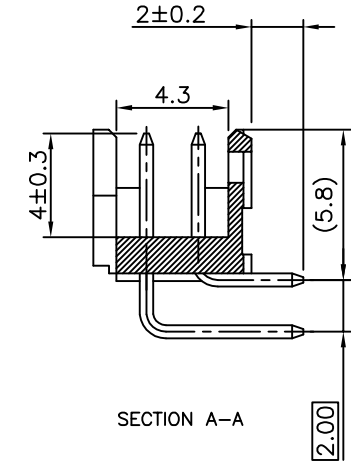
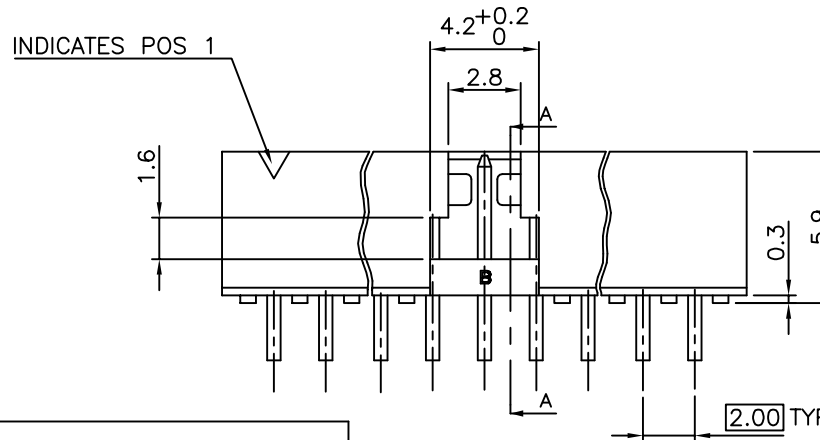
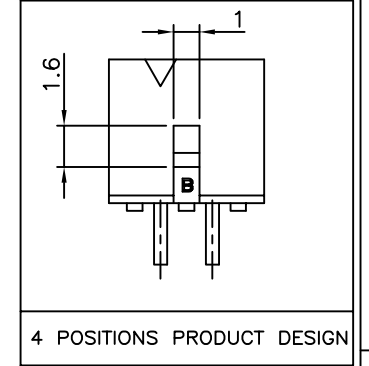
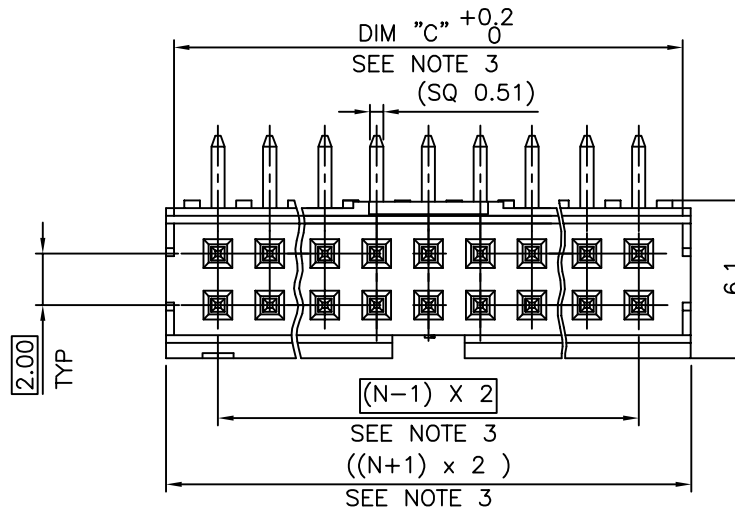
- "LF" MEANS THE PRODUCT IS LEAD-FREE, 2µm MINIMUM MATTE TIN OVER 1.27µm MINIMUM NICKEL UNDERPLATE.

b - MANUFACTURING PROCESS COMPATIBILITY

- THE HOUSING WITHSTAND EXPOSURE TO 260°C PEAK TEMPERATURE FOR 30 SECONDS MAX IN A CONVECTION, INRA-RED OR VAPOR PHASE OR REFLOW OVEN.

c - LABELLING:

- MEETS PACKAGING SPECS AS PER GS-14-920
- THIS PRODUCT MEETS EUROPEAN DIRECTIVES AND OTHER COUNTRY REGULATIONS AS DISCRIBED IN GS-47-0004



mat'l. code		surface		tolerance		projection		product family	
SEE NOTES		ISO 1302		ISO 406		ISO 1101		MINITEK	
ltr	ecn no	dr	date	tolerances unless otherwise specified		mm		title	
H	B-19190	LMU	14.10.24	angles	X.X ±0.13	mm		SHR HEADER	
J	B-20110	BVE	15.01.28	linear	X.XX ±0.05	scale 1:1		2.00 RIGHT ANGLE PIP	
K	B-20254	LMU	15.02.16	±2'				dwg no	
L	B-20611	AMA	15.03.31	dr	L.MULIN	06.09.14		sheet 1 of 1 size	
M	F-23051	AMA	16.01.15	engr	J.COMPAGNON	06.09.14		10072354 A3	
G	B-17745	JCO	21.05.14	appo	J.M.C	06.09.14		type	
sheet index		revision sheet						CUSTOMER Drawing	

# Mouser Electronics

Authorized Distributor

Click to View Pricing, Inventory, Delivery & Lifecycle Information:

## [FCI / Amphenol:](#)

[10072354-F01-03LF](#) [10072354-F01-04LF](#) [10072354-G01-04LF](#) [10072354-G01-06LF](#) [10072354-S01-03LF](#)  
[10072354-S01-04LF](#) [10072354-F01-06ULF](#) [10072354-G01-06ULF](#) [10072354-F01-06KLF](#) [10072354-G01-22KLF](#)  
[10072354-F01-16KLF](#) [10072354-G01-18KLF](#) [10072354-G01-10KLF](#) [10072354-G01-20KLF](#) [10072354-G01-12KLF](#)  
[10072354-G01-08KLF](#) [10072354-F01-12KLF](#) [10072354-G01-06KLF](#) [10072354-F01-10KLF](#) [10072354-G01-24KLF](#)  
[10072354-G01-14KLF](#) [10072354-G01-30KLF](#) [10072354-F01B16ULF](#) [10072354-S01-08KLF](#) [10072354-F01-08KLF](#)  
[10072354-S01B26ULF](#) [10072354-G01-26KLF](#) [10072354-S01-10KLF](#)