

4

3

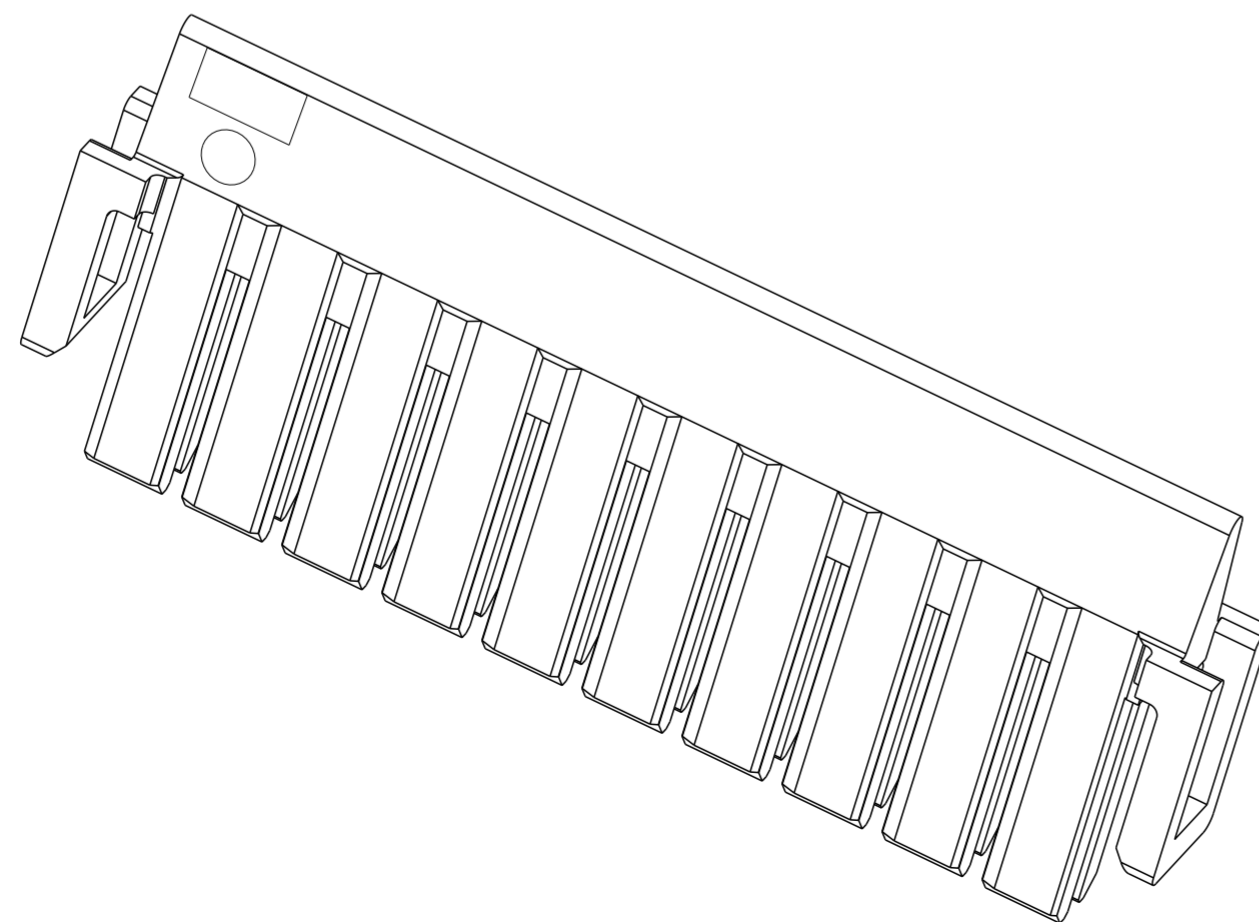
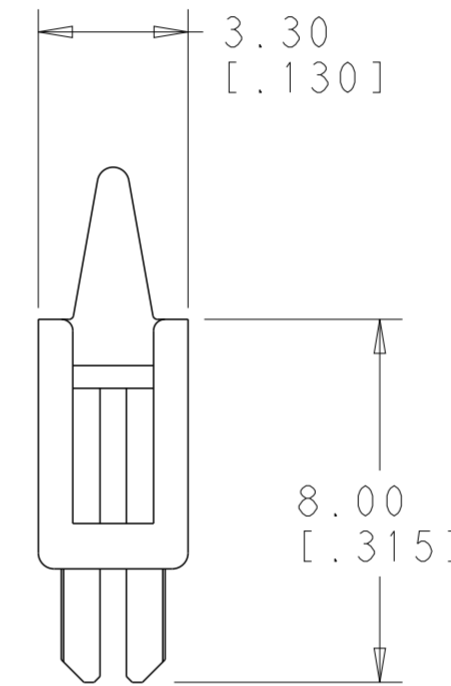
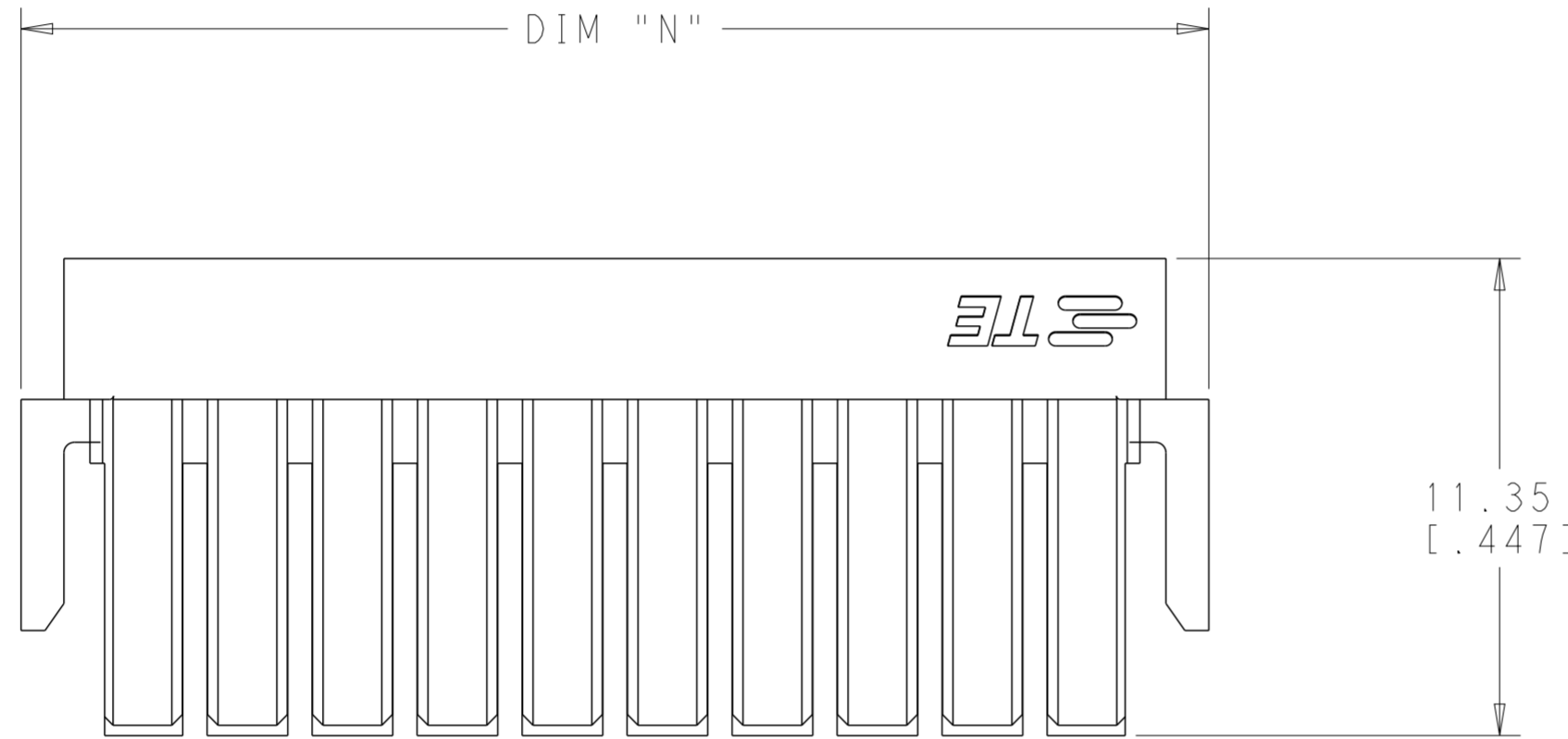
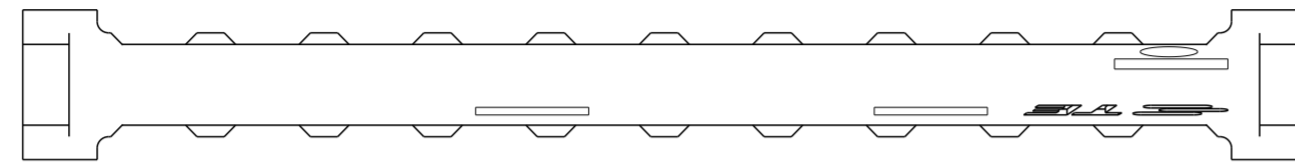
2

1


THIS DRAWING IS UNPUBLISHED. RELEASED FOR PUBLICATION 20
 © COPYRIGHT 20 BY - ALL RIGHTS RESERVED.

LOC	DIST	REVISIONS			
P	LTR	DESCRIPTION	DATE	DWN	APVD
AF	50	A2	REVISED PER ECR-15-006219	30APR2015	NK JR

1 MATES WITH CORRESPONDING PLUG HOUSING PART NUMBER X-1969540-X.



53.28 [2.098]	4-1969541-0
50.78 [1.999]	3-1969541-8
48.28 [1.901]	3-1969541-6
45.78 [1.802]	3-1969541-4
43.28 [1.704]	3-1969541-2
40.78 [1.605]	3-1969541-0
38.28 [1.507]	2-1969541-8
35.78 [1.409]	2-1969541-6
33.28 [1.310]	2-1969541-4
30.78 [1.212]	2-1969541-2
28.28 [1.113]	2-1969541-0
25.78 [1.015]	1-1969541-8
23.28 [.916]	1-1969541-6
20.78 [.818]	1-1969541-4
18.28 [.720]	1-1969541-2
15.78 [.621]	1-1969541-0
13.28 [.523]	1969541-8
DIM "N"	PART NO.

THIS DRAWING IS A CONTROLLED DOCUMENT.		DWN	21AUG2012	 TE Connectivity							
DIMENSIONS: mm [INCHES]		CHK	21AUG2012								
TOLERANCES UNLESS OTHERWISE SPECIFIED:		APVD	21AUG2012								
0 PLC ± 1 PLC ± 2 PLC ±0.13 [.005] 3 PLC ± 4 PLC ± ANGLES ±1 FINISH		NAME	TPA, PLUG HOUSING, EP 2.5 DUAL ROW								
MATERIAL - COLOR-BLACK		PRODUCT SPEC	108-2418	SIZE	A2	CAGE CODE	00779	DRAWING NO	C-1969541	RESTRICTED TO	-
		APPLICATION SPEC	114-13315	SCALE	5:1	SHEET	1	OF	1	REV	A2
		WEIGHT	-	Customer Drawing							

Mouser Electronics

Authorized Distributor

Click to View Pricing, Inventory, Delivery & Lifecycle Information:

[TE Connectivity:](#)

[1-1969541-4](#)