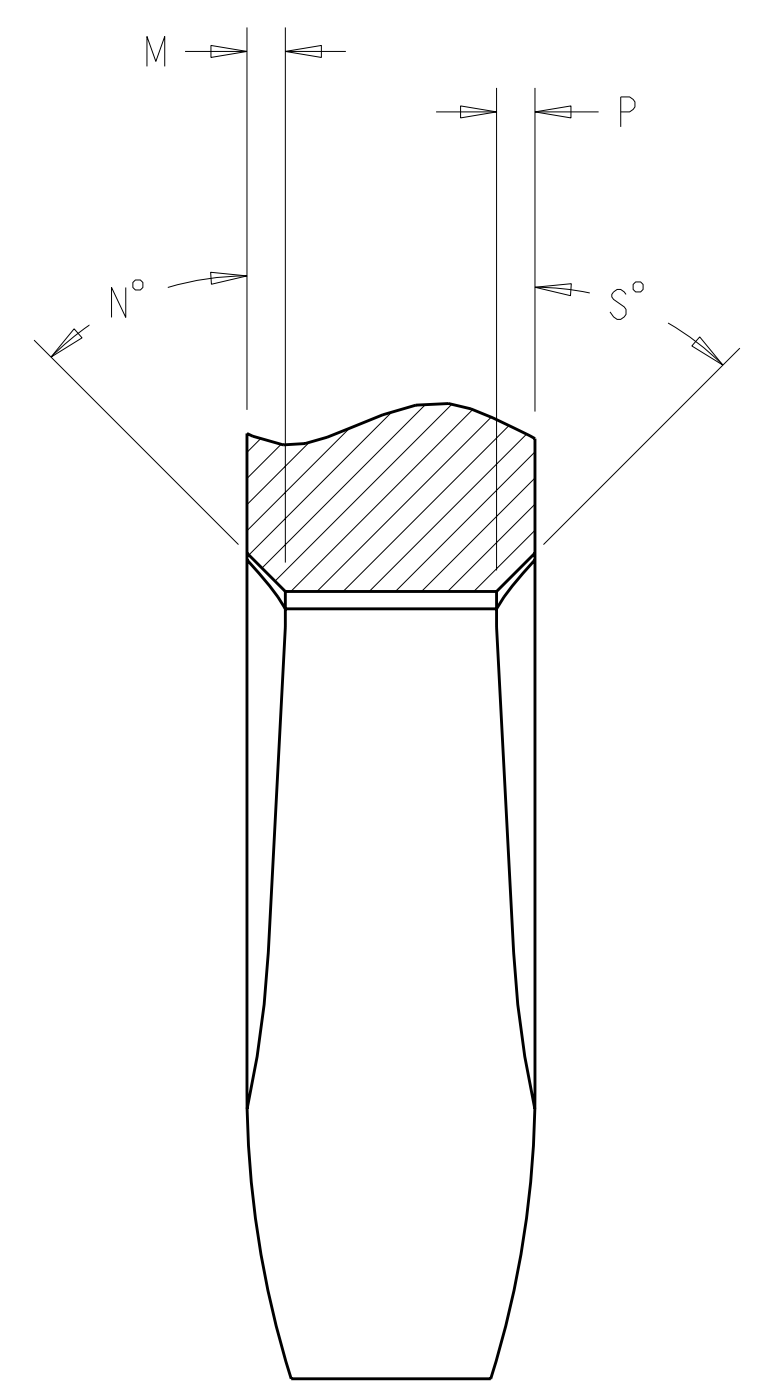
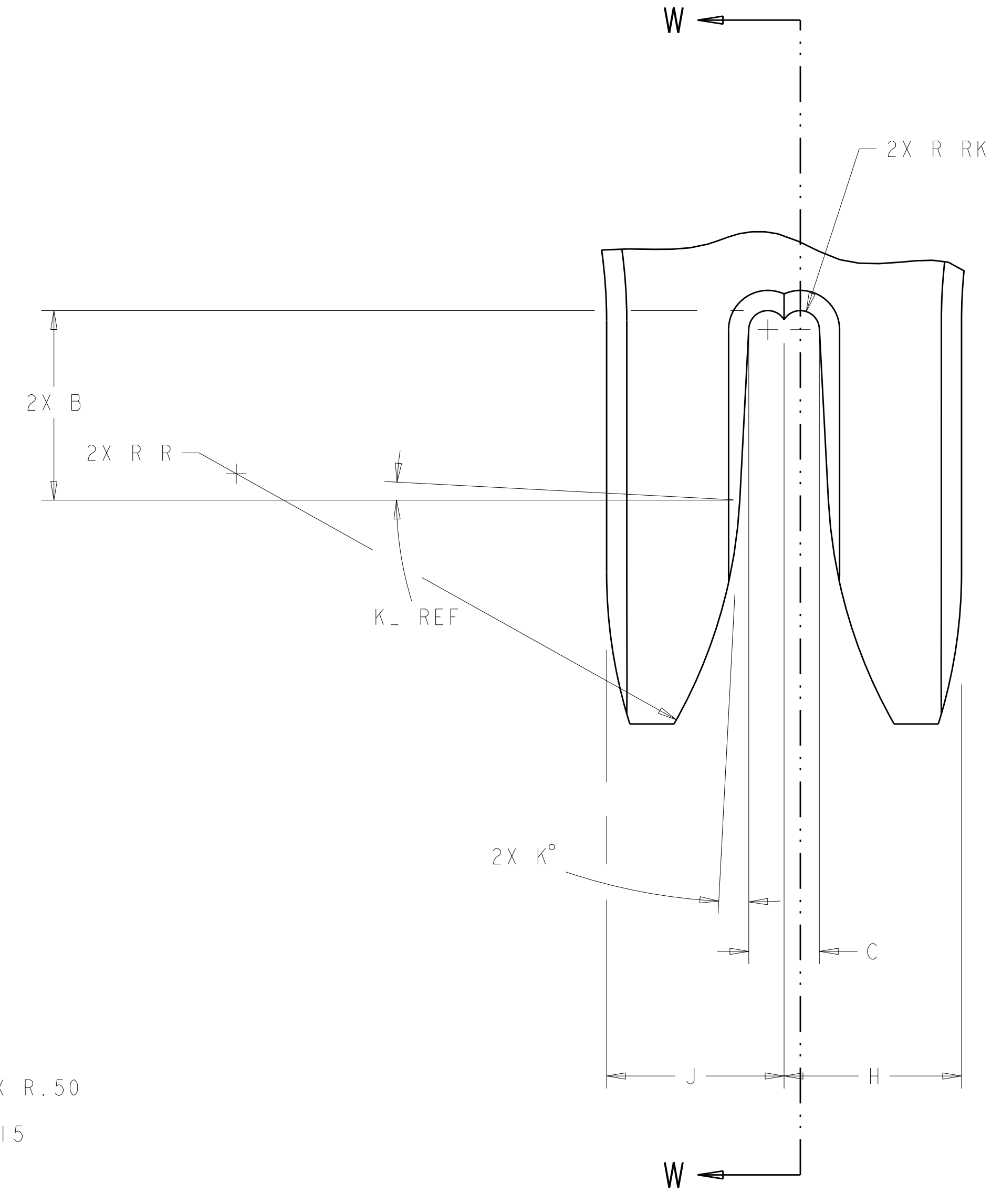
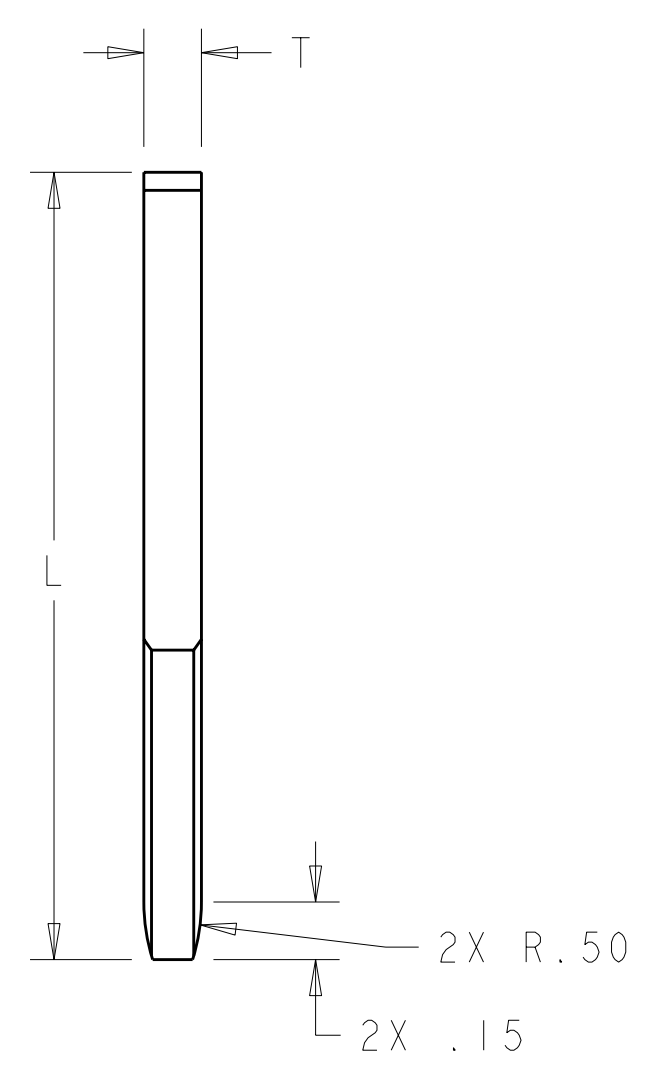
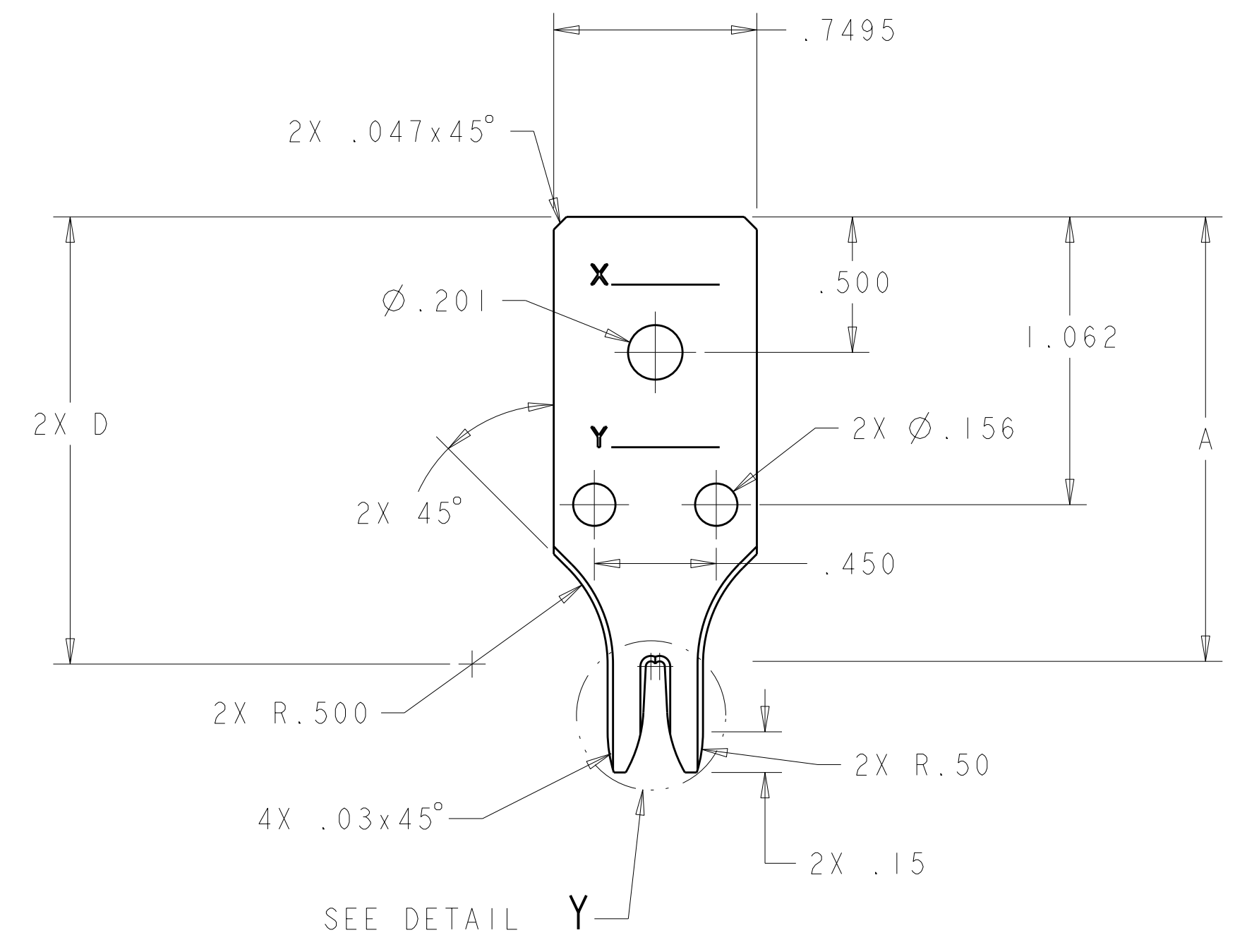


PART NUMBER	REV	FIRST USED	C	T	A	L	RK	M	N°	P	S°	D	J	H	B	K°	R	EMERSON PART NO	MATING PART NO
1633598-1	C	63942	.070	.145	1.640	2.05	.0189	.010	60	.010	60	1.650	.176	.176	.188	3	.500	.070 AUX	1633320-1
1633598-2	C	63941	.090	.150	1.640	2.05	.0243	.010	60	.010	60	1.650	.176	.176	.188	3	.500	.090 MAIN	1633320-2
1633598-3	C	1217955	.110	.150	1.640	2.05	.0297	.010	60	.010	60	1.650	.176	.176	.188	3	.500	.110 COM	1633599-1

LOC	DIST	REV	DATE	DWN	APVD
A	19	C	17FEB2009	BW	TE

1. IDENTIFY PART NO IN AREA X _____.
2. IDENTIFY EMERSON PART NO IN AREA Y _____.



DETAIL Y
SCALE 10:1

DIMENSIONS: IN 		TOLERANCES UNLESS OTHERWISE SPECIFIED: 9 PLC ± 1 PLC ± 2 PLC ± 3 PLC ± 4 PLC ± ANGLES ± FINISH -		DWN B. WEAVER 17FEB2009 CHK T. ELBIN 17FEB2009 APVD T. ELBIN 17FEB2009		Tyco Electronics Harrisburg, PA 17105-3608	
MATERIAL -		FINISH -		PRODUCT SPEC - APPLICATION SPEC - WEIGHT -		NAME CRIMPER, WIRE PREMIUM EMERSON SIZE CAGE CODE DRAWING NO. A100779C-1633598 RESTRICTED TO -	
CUSTOMER DRAWING				SCALE 2:1		SHEET 1 OF 1 REV C	

Mouser Electronics

Authorized Distributor

Click to View Pricing, Inventory, Delivery & Lifecycle Information:

[TE Connectivity:](#)

[1633598-3](#)