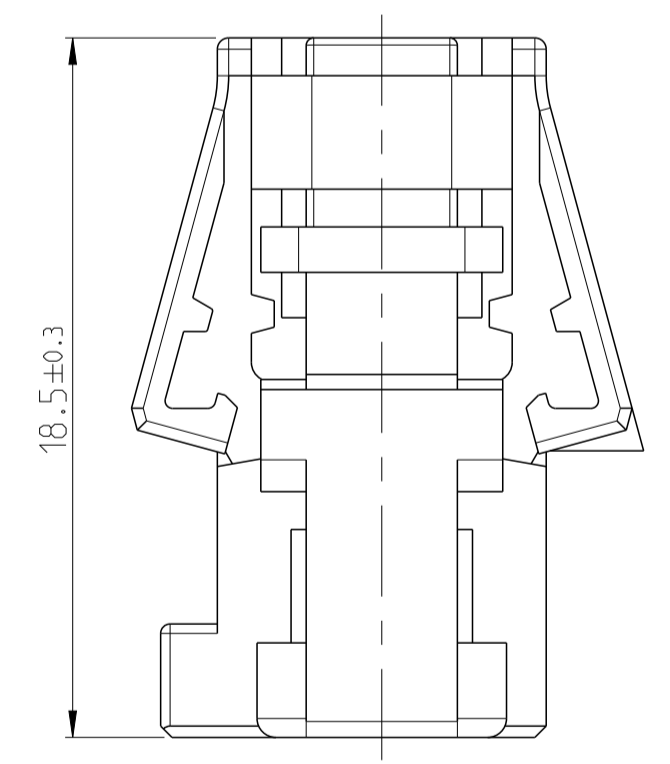
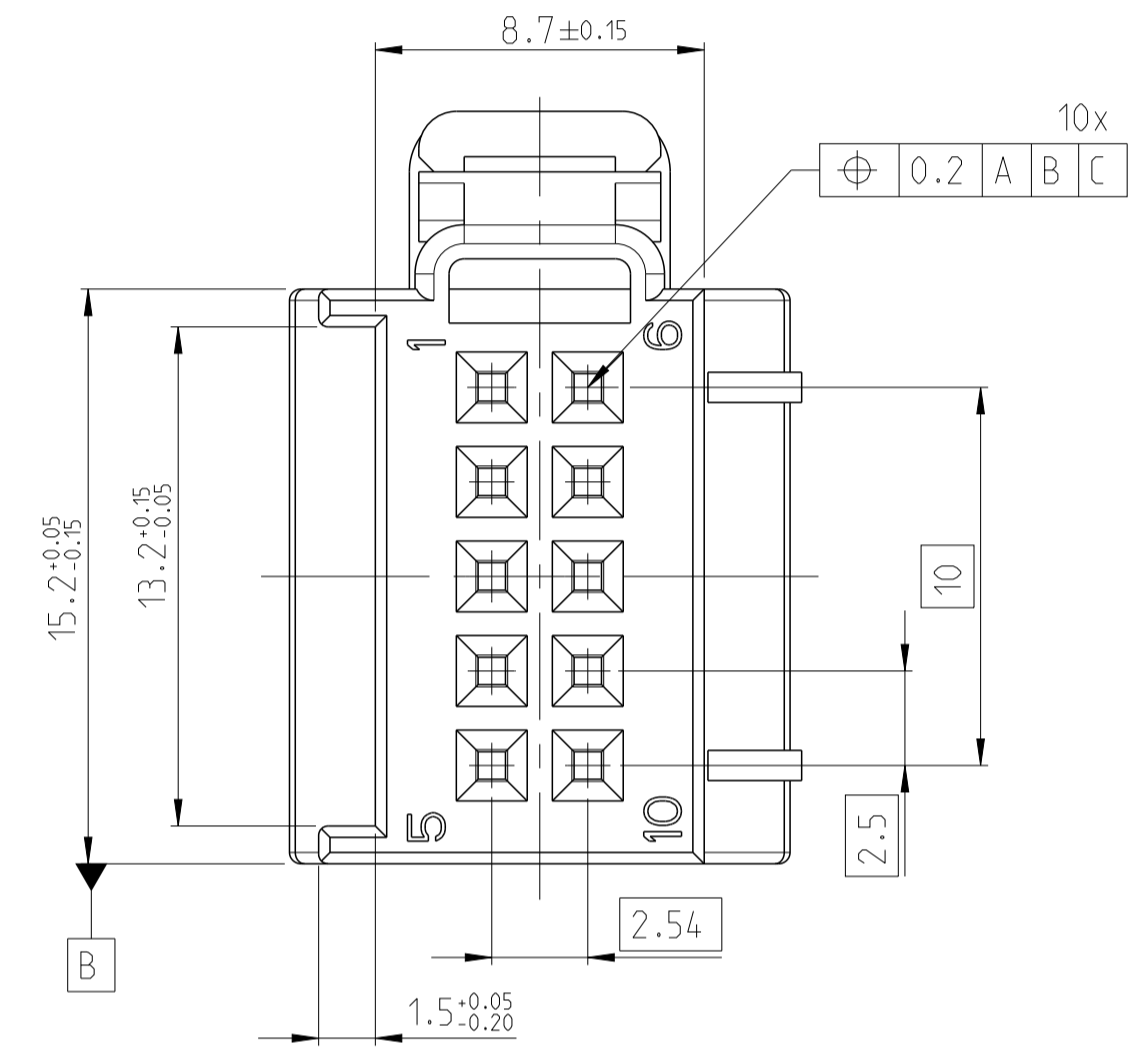
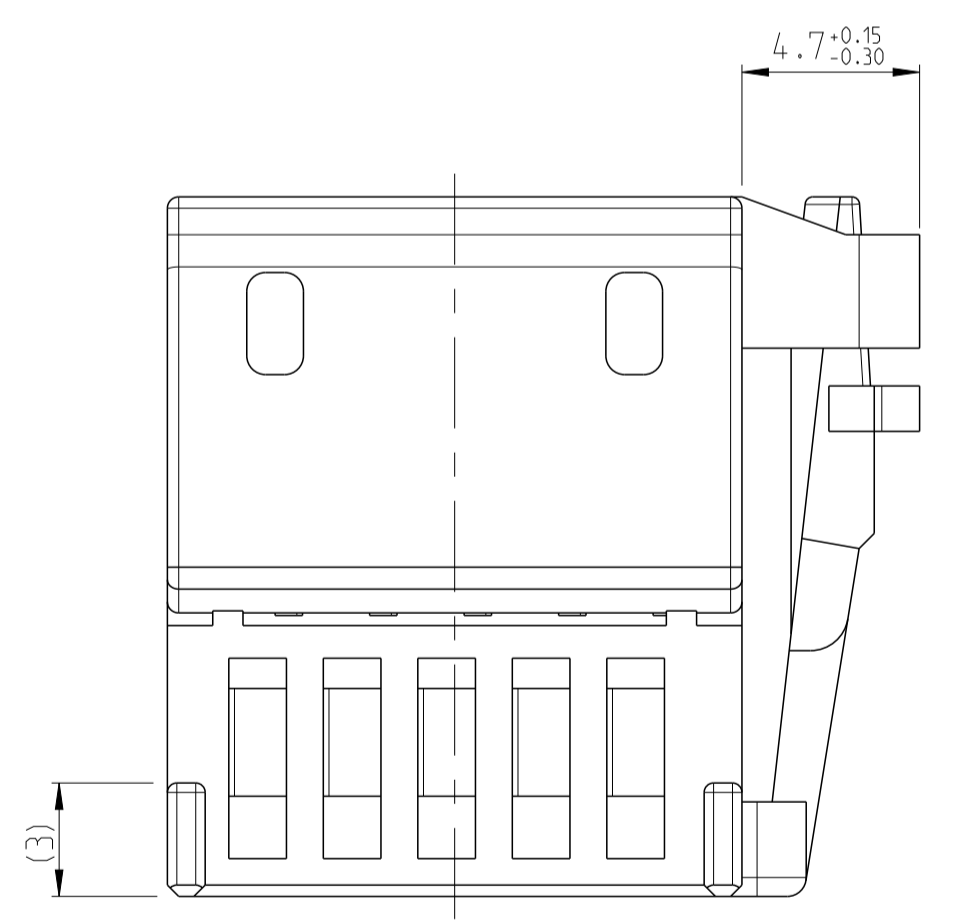
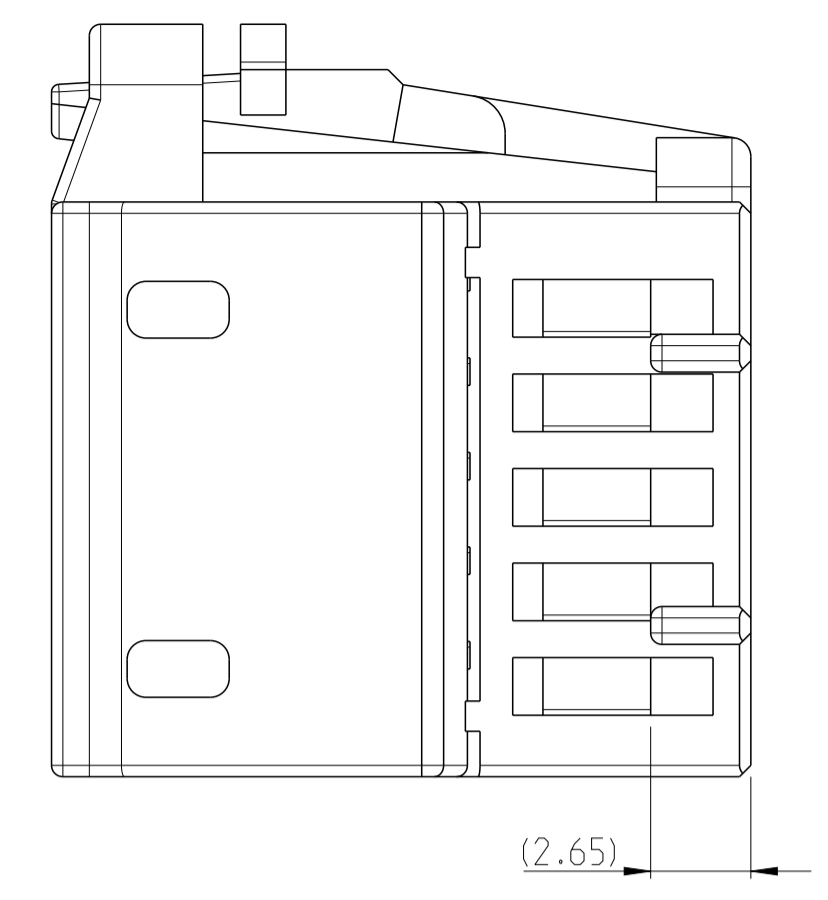
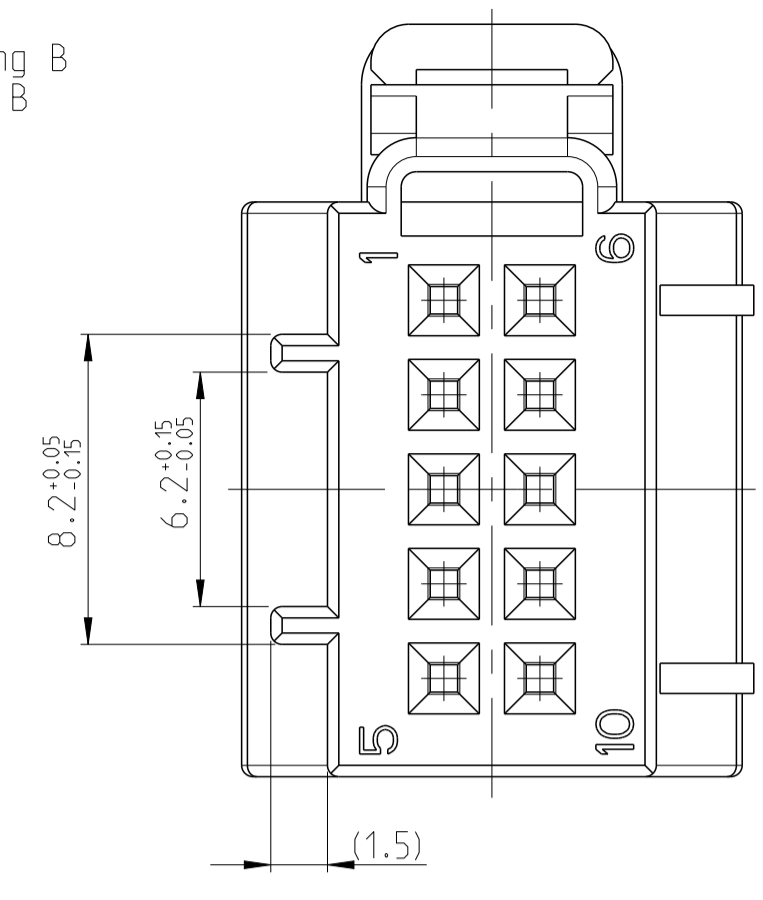


1  
Kodierung A  
CODING A

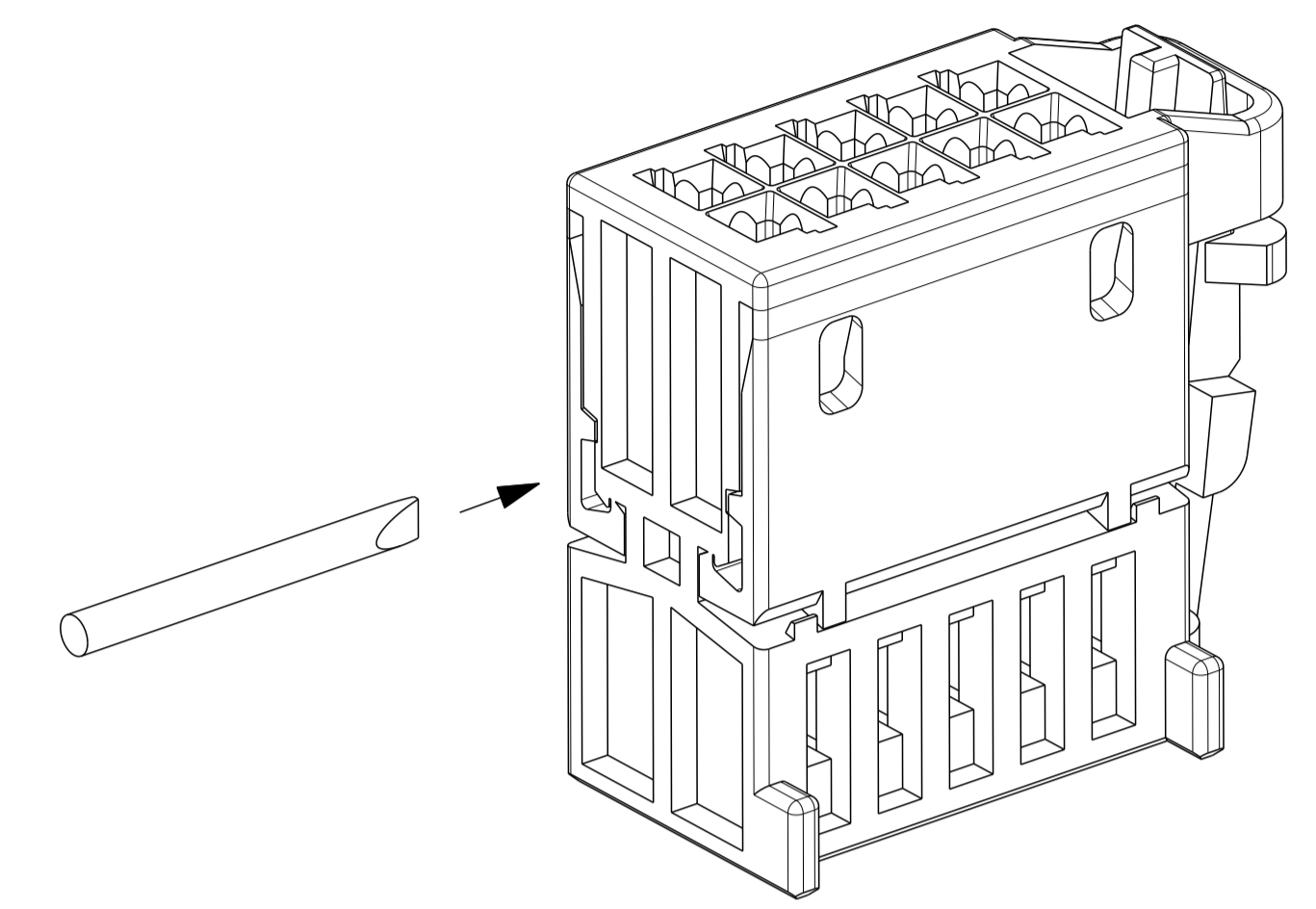


2  
Kodierung B  
CODING B



LOC	DIST	REVISIONS			
A1	-	REV.	DESCRIPTION	DATE	BY
		A	New Drawing	17AUG2012	MR RBT
		A1	SLOTS IN THE FLIP SEC. LOCK ADDED	27MAR2013	MR RBT
		A2	1-1670990-4 added	13JUN2017	KS MZ

Deckel geschlossen dargestellt  
COVER CLOSED PICTURED



OPENING GUIDE: TO OPEN THE LOCKED RETAINER, USE A  $\varnothing$  1x0.18MM SCREWDRIVER AND PUSH IT IN THE SHOWN OPENING.  
Oeffnungsanleitung: Zum Oeffnen des verrasteten Deckels wird ein  $\varnothing$  1x0.18mm Schraubendreher in die gezeigte Oeffnung gedreht.

Bemerkungen

- 1 Passende Kontakte 1355717, 928999, 963715
- 2 Passende Stiftwanne siehe Zeichnung-Nr. 969587
- 3 Materialentnahme optional in Ausfuehrung und Lage nach Wahl des Herstellers moeglich
- 4 Verpackung: Schuetztgut in Karton

NOTES

- 1 SUITABLE CONTACTS 1355717, 928999, 963715
- 2 SUITABLE PIN HEADER SEE DRAWING NO. 969587
- 3 MATERIAL REMOVAL OPTIONAL IN EXECUTION AND POSITION ACC. TO MANUFACTURER POSSIBLE
- 4 PACKAGING: LOOSE PIECE IN CARDBOX

PART NO	REV.	COD.	MATERIAL	COLOUR	WEIGHT [g]	POS.
1-1670990-4	A	A	PBT-GF10	DARK BROWN/dunkelbraun	2.04	1
1-1670990-2	A	B	PBT-GF10	GREY/grau	2.04	2
1-1670990-1	A	A	PBT-GF10	BLACK/schwarz	2.04	1

THIS DRAWING IS A CONTROLLED DOCUMENT. THIS DRAWING IS A CONTROLLED DOCUMENT. DWN Madesh R 17AUG2012. CHK Rudresh B T 31AUG2012. NAME 10POS. MQS REC. HOUSING 10pol. MQS Buchsengehaeuse. DIMENSIONS: mm. TOLERANCES UNLESS OTHERWISE SPECIFIED: 0 PLC ±, 1 PLC ±, 2 PLC ±, 3 PLC ±, 4 PLC ±. MATERIAL: SEE TABLE. WEIGHT: -. FINISH/SURFACE/FARBE: -. Customer Drawing. SCALE: 5:1. SHEET: 1 OF 1. REV: A2.

# Mouser Electronics

Authorized Distributor

Click to View Pricing, Inventory, Delivery & Lifecycle Information:

[TE Connectivity:](#)

[1-1670990-1](#)