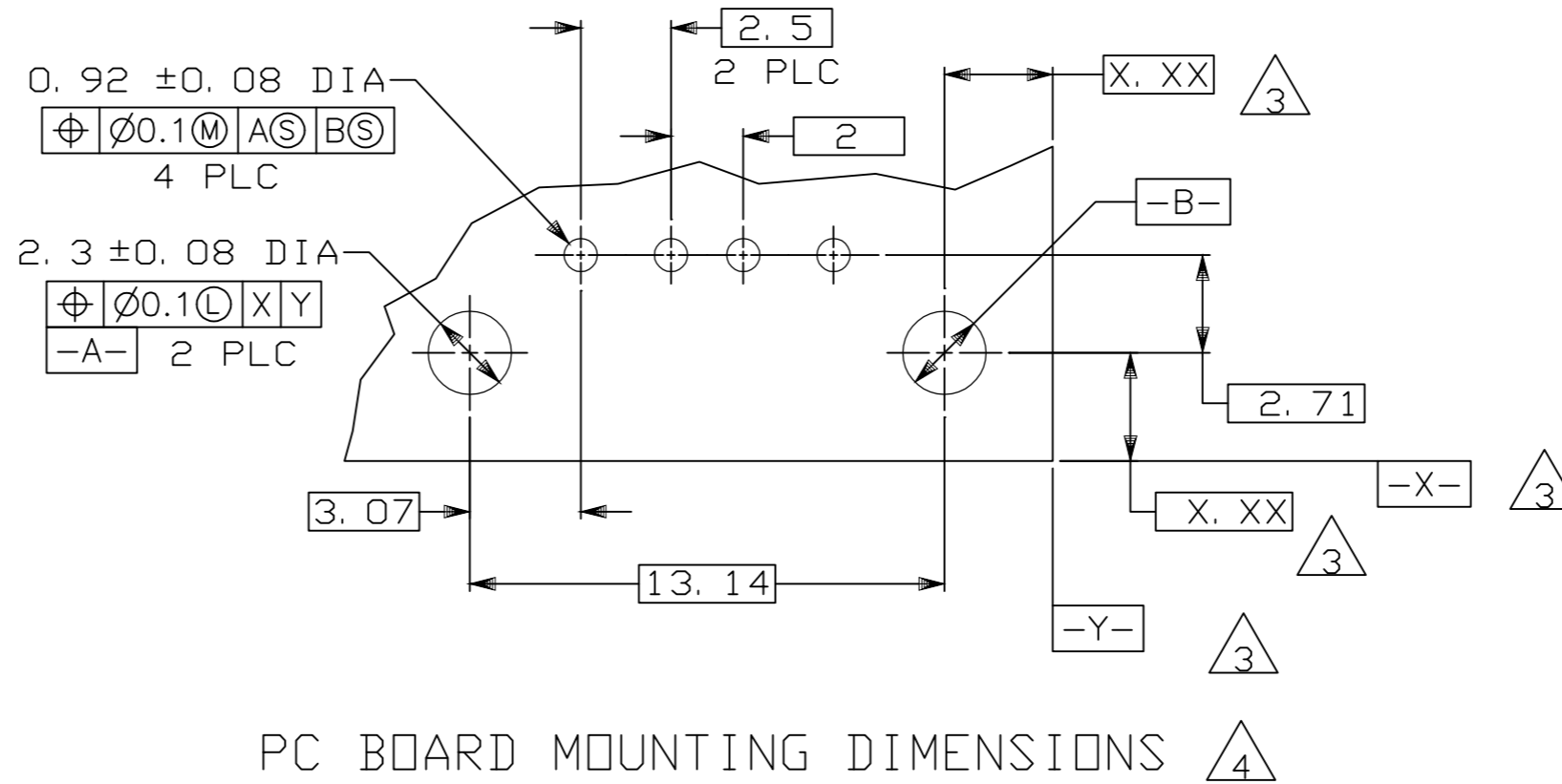
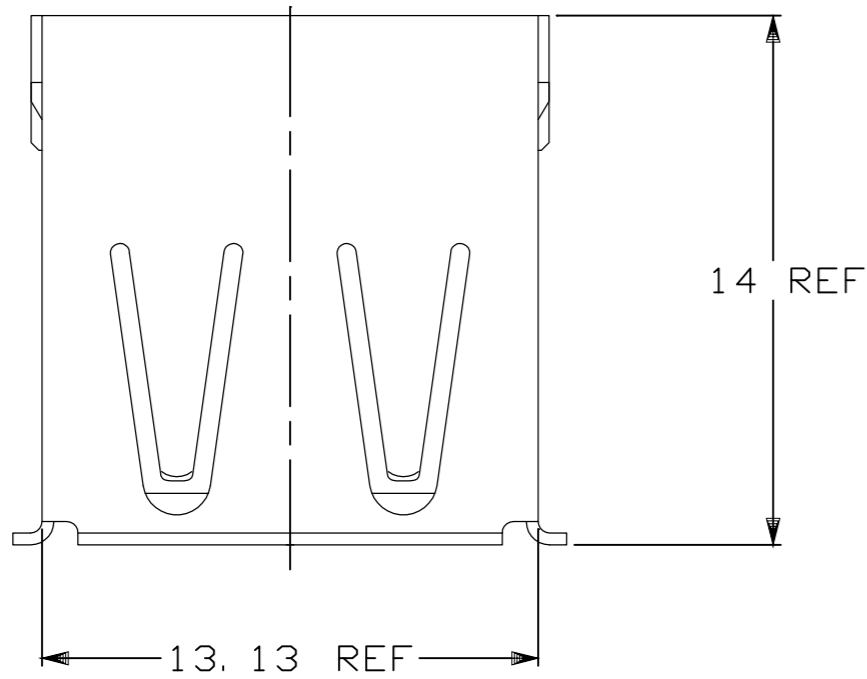


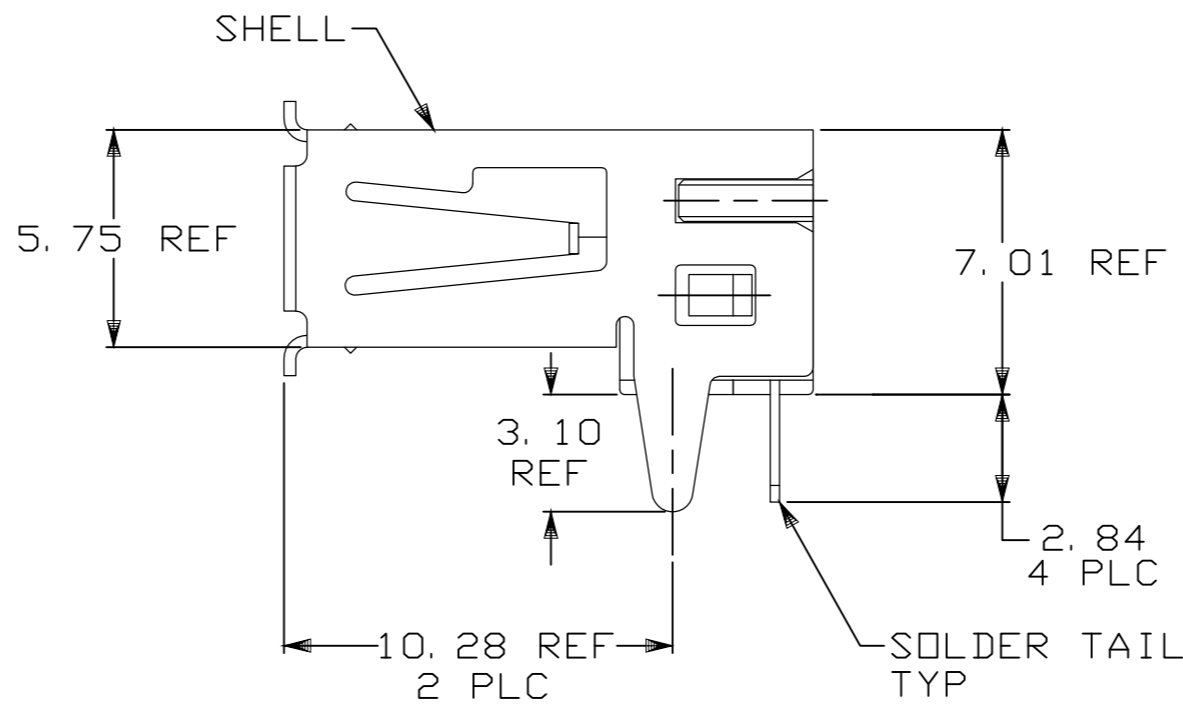
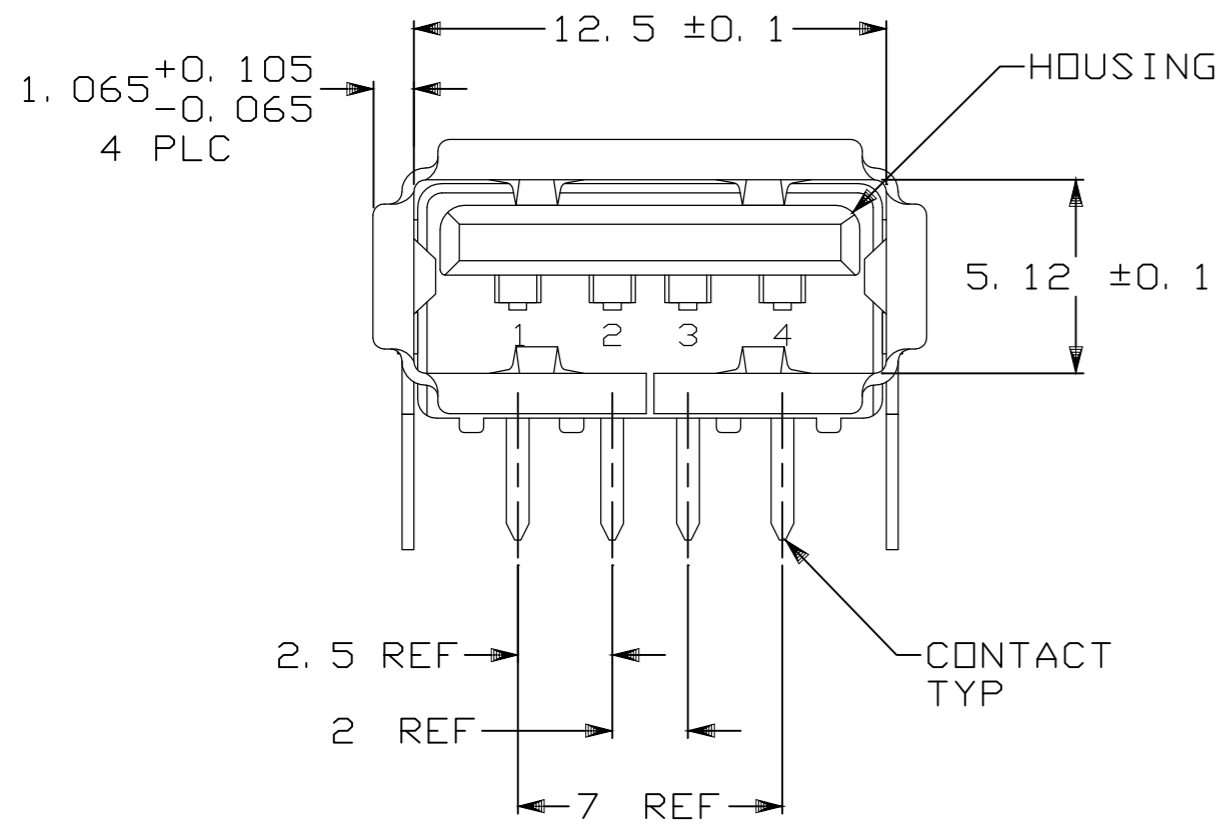
THIS DRAWING IS UNPUBLISHED. RELEASED FOR PUBLICATION
 © COPYRIGHT - By - ALL RIGHTS RESERVED.

| REVISIONS | | | | |
|-----------|-----|-------------------------|-----------|---------|
| P | LTR | DESCRIPTION | DATE | APVD |
| A1 | | REVISED PER E-17-000316 | 16JAN2017 | A.X H.W |



PC BOARD MOUNTING DIMENSIONS $\Delta 4$

- $\Delta 1$ MATERIAL:
SHELL & CONTACTS- COPPER ALLOY.
HOUSING- UL 94V-0 RATED, THERMOPLASTIC, COLOR SEE TABLE.
- $\Delta 2$ PLATING:
CONTACTS- 0.076um MINIMUM GOLD OVER 0.76um MINIMUM PALLADIUM-NICKEL ON MATING AREA.
3.8um MINIMUM MATTE TIN ON SOLDER TAILS.
BOTH OVER 1.27um MINIMUM NICKEL.
CONTACT ALTERNATE PLATING: 0.76um MIN GOLD ON MATING AREA, 3.80um MIN MATTE TIN ON SOLDER TAILS, BOTH OVER 1.27um MIN NICKEL.
SHELL: 2~5um MINIMUM BRIGHT TIN
- $\Delta 3$ DATUM AND BASIC DIMENSIONS ESTABLISHED BY CUSTOMER.
- $\Delta 4$ RECOMMENDED PC BOARD THICKNESS OF 1.57.



| | | | |
|-----------|-----------------------------|---------------|-------------|
| TAPE&REEL | YES | NATURAL | 6364372-3 |
| TUBE | YES | NATURAL | 6364372-2 |
| TUBE | NO | BLACK | 6364372-1 |
| PACKAGING | HIGH TEMPERATURE COMPATIBLE | HOUSING COLOR | PART NUMBER |

| | | | | | | | | | | | |
|--|------------|--------------|---------|------------------|--|---|-----------|------------|--------|-----|----|
| THIS DRAWING IS A CONTROLLED DOCUMENT. | | DWN | J.JIANG | 12APR2004 | | TE Connectivity | | | | | |
| DIMENSIONS: mm | | CHK | S.YAO | 12APR04 | | RECEPTACLE ASSEMBLY, RIGHT ANGLE, 4POSITION, THRU-HOLE, USB | | | | | |
| TOLERANCES UNLESS OTHERWISE SPECIFIED: | | APVD | J.QU | 12APR04 | | SIZE | CAGE CODE | DRAWING NO | | | |
| 0 PLC ± - 1 PLC ± - 2 PLC ± 0.25 3 PLC ± - 4 PLC ± - ANGLES ± - FINISH | | PRODUCT SPEC | - | | | A2 | 00779 | C=6364372 | | | |
| MATERIAL | $\Delta 1$ | WEIGHT | 0 | CUSTOMER DRAWING | | SCALE | 5:1 | SHEET | 1 of 1 | REV | A1 |

Mouser Electronics

Authorized Distributor

Click to View Pricing, Inventory, Delivery & Lifecycle Information:

[TE Connectivity:](#)

[6364372-2](#)