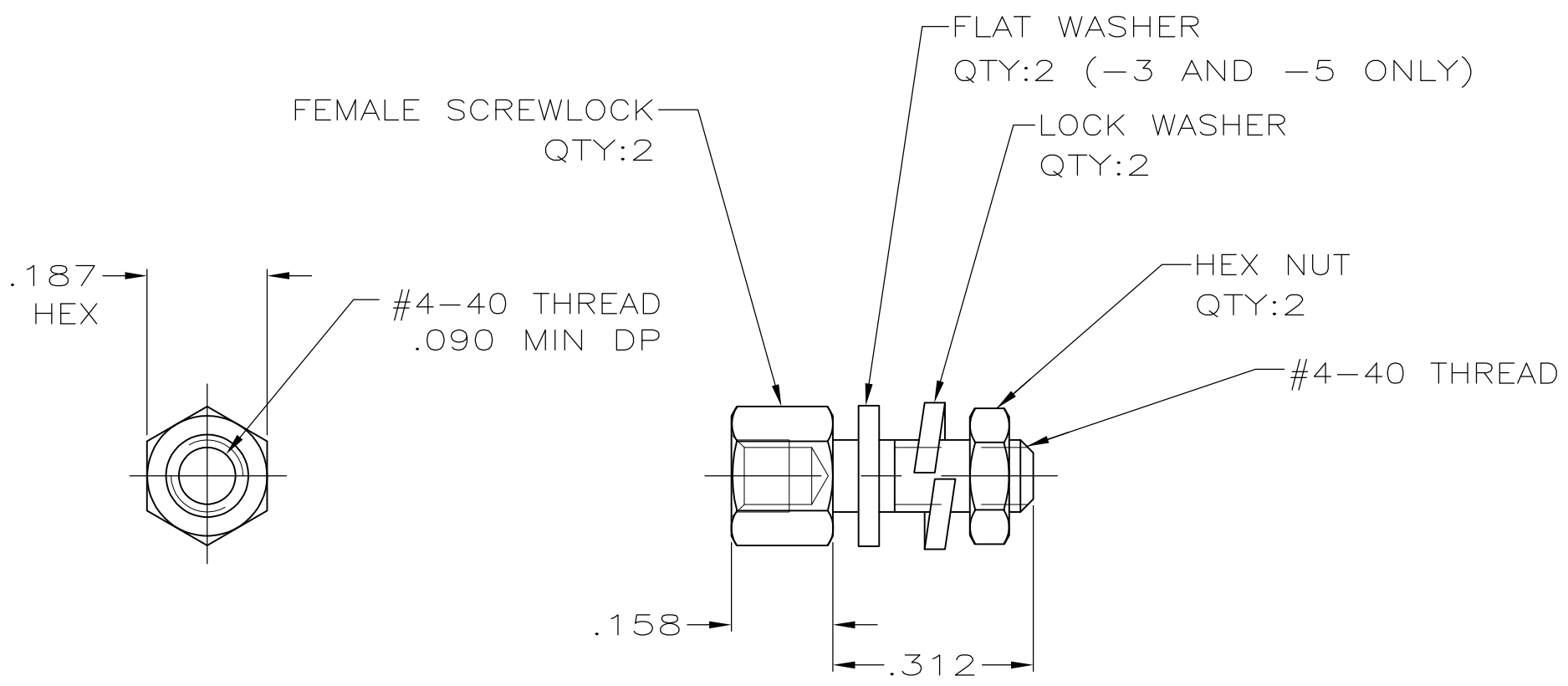


THIS DRAWING IS UNPUBLISHED. RELEASED FOR PUBLICATION
 © COPYRIGHT - By - ALL RIGHTS RESERVED.

LOC	DIST	REVISIONS					
GP	00	P	LTR	DESCRIPTION	DATE	DWN	APVD
		R		REVISED PER ECO-15-002171	04MAR2015	AP	PR



- PARTS PACKAGED UNASSEMBLED.
 - PARTS PACKAGED AS A UNIT KIT.
- $\triangle 3$ ZINC PLATING .000200-.000400 THICK, YELLOW CHROMATE COATING.
 $\triangle 4$ ZINC PLATING .000200-.000400 THICK, CLEAR CHROMATE COATING.

$\triangle 4$	W/ FLAT WASHER	5748271-5
	W/O FLAT WASHER	5748271-4
$\triangle 3$	W/ FLAT WASHER	5748271-3
	W/O FLAT WASHER	5748271-1
FINISH	REMARKS	PART NUMBER

THIS DRAWING IS A CONTROLLED DOCUMENT.		DWN	S.WAITMAN	12JUL05	TE Connectivity NAME FEMALE SCREWLOCK KIT, SHORT HEAD, .090 PANEL, AMPLIMITE		
DIMENSIONS: INCHES		CHK	C.ROHDE	12JUL05			
		APVD	M.WALMSLEY	12JUL05			
TOLERANCES UNLESS OTHERWISE SPECIFIED: 0 PLC ± - 1 PLC ± - 2 PLC ± - 3 PLC ± .005 4 PLC ± - ANGLES ± -		PRODUCT SPEC	-				
MATERIAL	STEEL	FINISH	$\triangle 3$	APPLICATION SPEC	-		RESTRICTED TO
				WEIGHT	-		
				CUSTOMER DRAWING		SCALE	4:1
				SIZE	A3	CAGE CODE	00779
				DRAWING NO	C-5748271		REV
						SHEET	1 OF 1
						R	

Mouser Electronics

Authorized Distributor

Click to View Pricing, Inventory, Delivery & Lifecycle Information:

[TE Connectivity:](#)

[5748271-3](#)