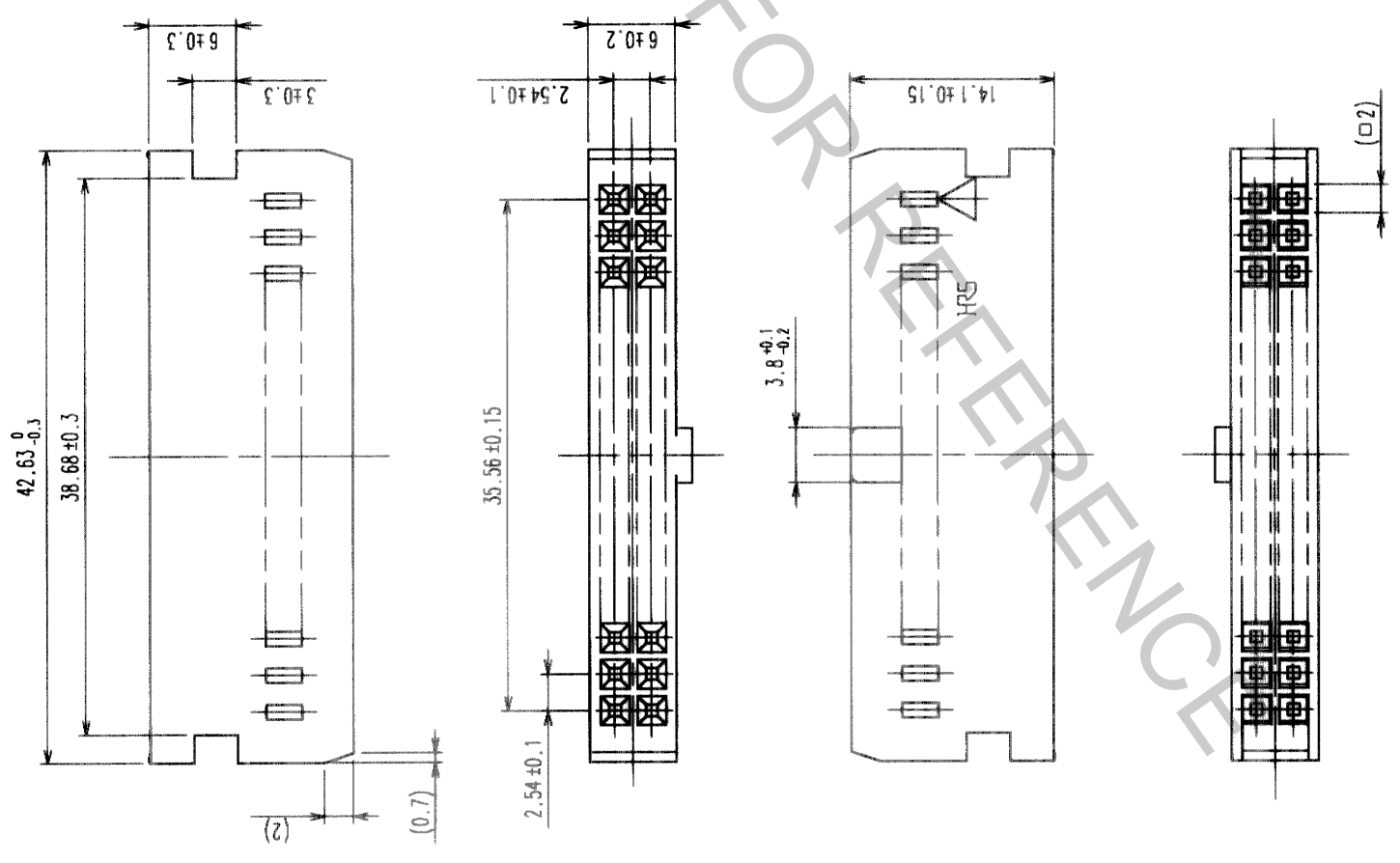


Mar.1.2019 Copyright 2019 HIROSE ELECTRIC CO., LTD. All Rights Reserved.
 3 In case that the application demands a high level of reliability, such as automotive,
 please contact a company representative for further information.

6		7		8				
COUNT	DESCRIPTION OF REVISIONS	BY	CHKD	DATE	DESCRIPTION OF REVISIONS	BY	CHKD	DATE
△								
△								
△								



TO	
PCK	

HRS DRAWING FOR REFERENCE

NO.	MATERIAL	FINISH, REMARKS	PBT	MATERIAL	FINISH, REMARKS
1			BLACK	UL94V-0	

NO.	MATERIAL	FINISH, REMARKS	DRAWN	DESIGNED	CHECKED	APPROVED	RELEASED
			<i>T. Niikawa</i>	<i>T. Niikawa</i>	<i>H. Obara</i>	<i>T. Niikawa</i>	
			00-04-17	00-04-17	00-04-18	00-04-18	

CODE NO. (OLD) SCALE 2:1 UNITS mm	DRAWING NO. EDC3-016330	PART NO. HIF3C-30D-2.54C
---	----------------------------	-----------------------------

HRS HIROSE ELECTRIC CO., LTD.
 CODE NO. CL562-0109-7
 1/1