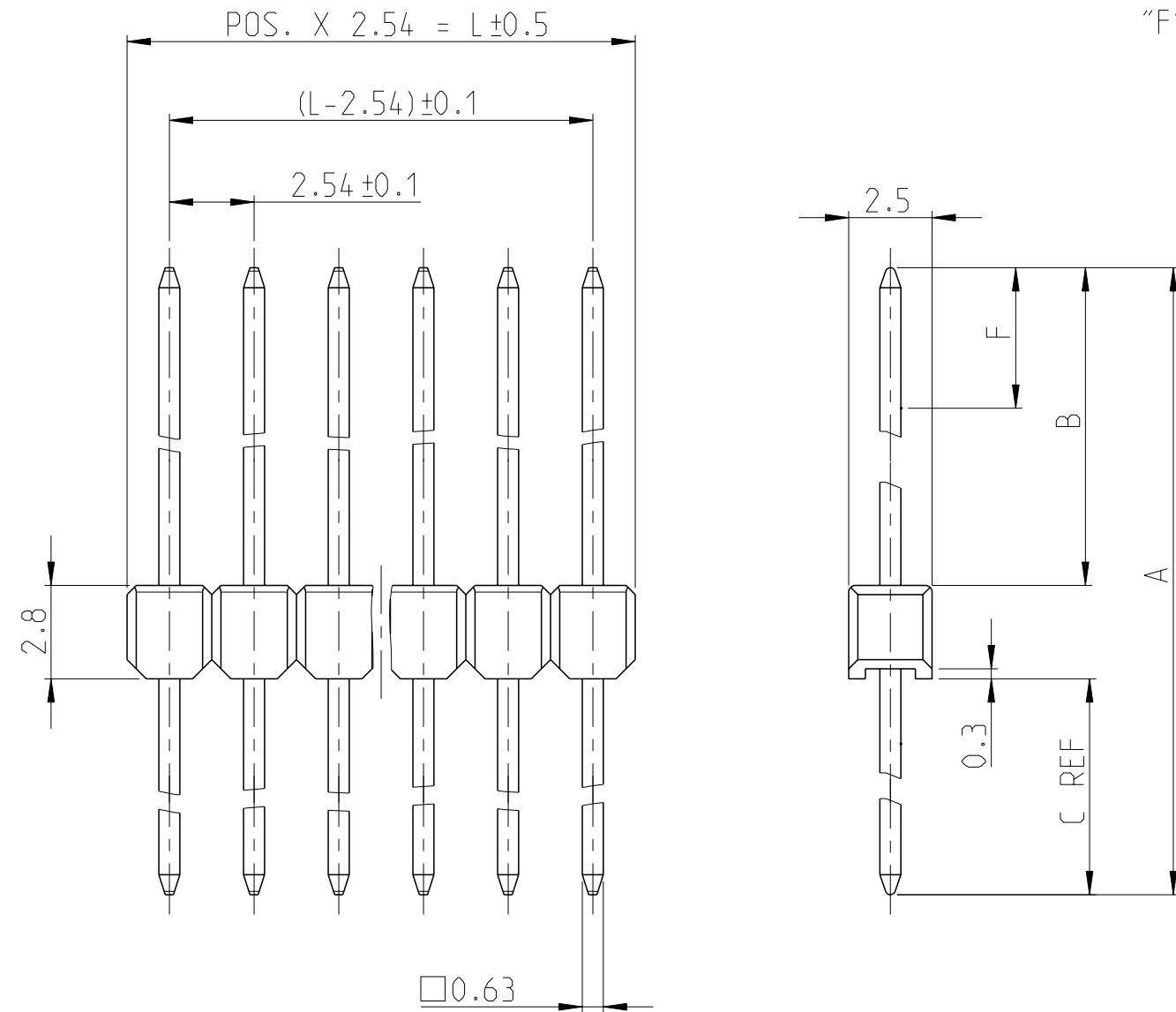


| REVISIONS | | | | |
|-----------|-----|-----------------------------------------------|-----------|--------|
| P | LTR | DESCRIPTION | DATE | APVD |
| | AC | Contact pin material change from CuSn to CuZn | 13SEP2017 | KJK PS |
| | | | | |
| | | | | |



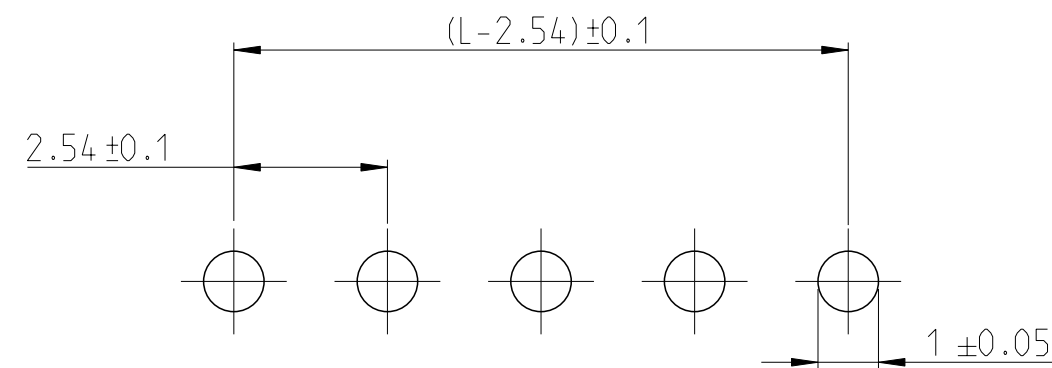
| DIMENSION | | | | | PART- NO. | | PART- NO. | | | PART- NO. | | | | | | | |
|-----------|-----|-----|-----|---|-----------------------|---|-----------|---------------------|--|-----------|-----------------------|--|--|---------------------|--------|----------|----------|
| A | B | C | F | - | SELECTIVE GOLD PLATED | | | TIN PLATED | | | SELECTIVE GOLD PLATED | | | | | | |
| | | | | | 1 | 5 | 7 | WEIGHT POS. PER ROW | | | WEIGHT POS. PER ROW | | | WEIGHT POS. PER ROW | | | |
| 12.7 | 6.7 | 3.2 | 4.4 | - | | | | | | | | | | | | | |
| 12.0 | 6.7 | 2.5 | 4.4 | - | | | | | | 8 | 826935 | | | | | | |
| 11.8 | 5.8 | 3.2 | 4.4 | - | | | | | | | 826936 | | | 8 | 829070 | 0.0621 g | |
| 11.1 | 5.8 | 2.5 | 4.4 | - | | | | | | | 826937 | | | | | | |
| 14.0 | 8.0 | 3.2 | 4.4 | - | | | | | | | 826938 | | | | | | |
| 13.3 | 8.0 | 2.5 | 4.4 | - | | | | | | 8 | 826939 | | | | | | |
| 12.7 | 6.7 | 3.2 | 5.5 | - | | | | | | | - | | | | 8 | 828356 | 0.0653 g |

| | | |
|-------------|----------|-----------------------------|
| CONTACT PIN | CuZn | SEE TABLE |
| PIN HOUSING | PBT GV | SEE TABLE |
| DESCRIPTION | MATERIAL | FABRE/COLOR/PLATING/SURFACE |

NOTES:

- 1 MATING SIDE : AREA "F" MIN 0.7µm PdNi + MIN 0.1µm GOLD OVER 1.27µm NICKEL BY AREA "B"
SOLDER SIDE: MIN 3µm TIN OVER 1.27µm NICKEL
- 2 MATING AND SOLDER SIDE : MIN 3µm TIN OVER 1.27µm NICKEL
- 3 MATING SIDE: AREA "F" 0.13µm GOLD OVER 1.27µm NICKEL BY AREA "B"
SOLDER SIDE: MIN 3µm TIN OVER 1.27µm NICKEL
- 4 COLOR OF HOUSING: GREY
- 5 COLOR OF HOUSING: GREEN
- 6 TOLERANCES NOT CUMULATIVE
- 7 THE NUMBER OF POSITION PER ROW HAS TO BE ADDED TO THE BASE NO. AS A DASH NO.
EG: 2-826629-0 = 20 POSITIONS

THE NUMBER OF POSITIONS PER ROW IS ALSO THE FACTOR FOR THE WEIGHT DETERMINATION
E.G: 20 X 0.0654 g = 1.308 g
- 8 OBSOLETE

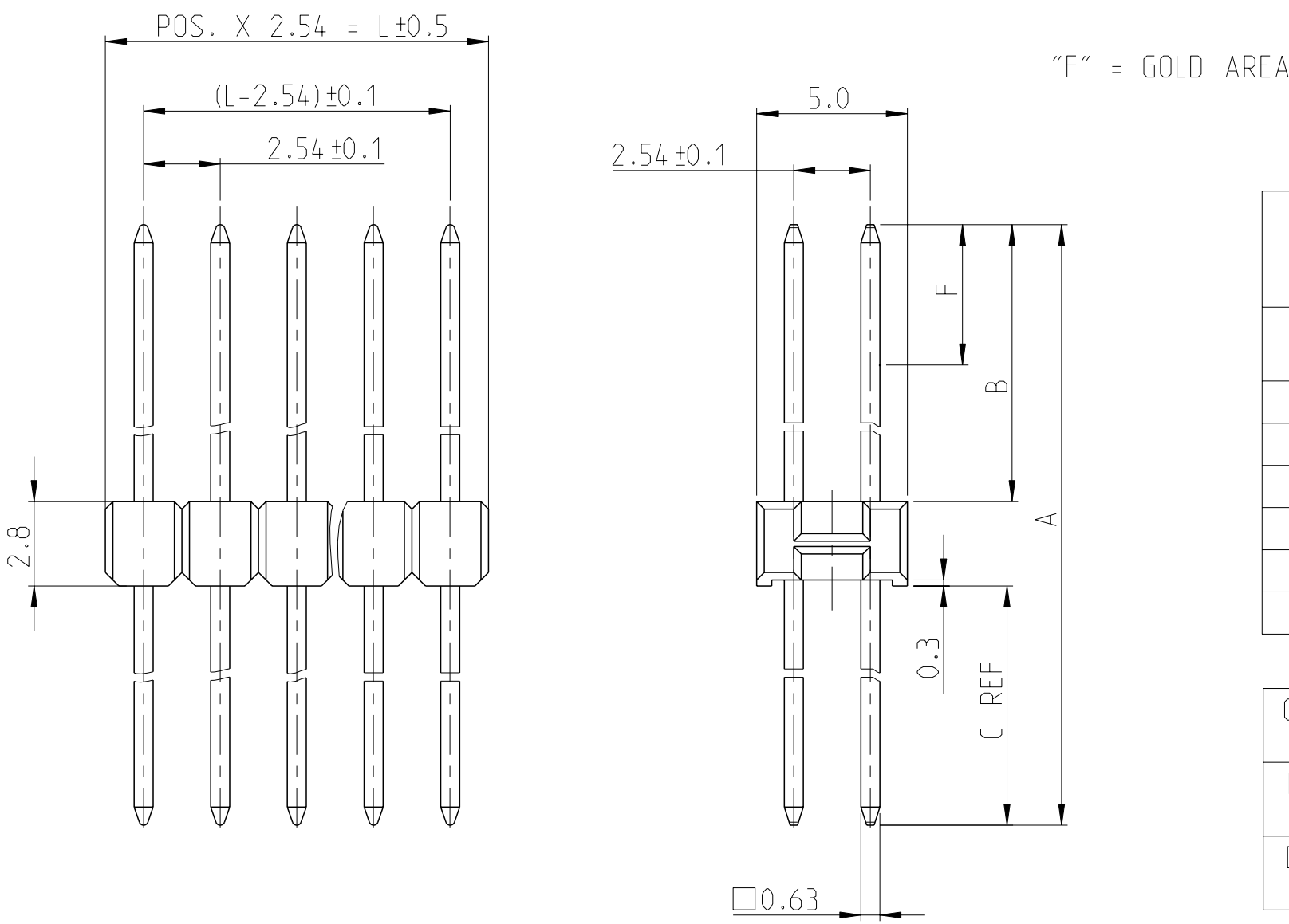


SCALE 8:1
LAYOUT FOR HOLES ON PCB

| | | | | |
|-----------------------------------------------|--|-------------------------------|-------------------------------------------------------------------------------------------|------------------------|
| THIS DRAWING IS A CONTROLLED DOCUMENT. | | DWN G.HOLAUS 10NOV1989 | TE Connectivity | |
| DIMENSIONS: mm | | CHK SCHAARSCHMIDT M. | | |
| TOLERANCES UNLESS OTHERWISE SPECIFIED: ±0.2mm | | APVD | NAME AMPMODU II PIN HEADER, SINGLE ROW, DUAL ROW, VERTICAL AND RIGHT ANGLE MOUNT | |
| | | PRODUCT SPEC 108-18012 | SIZE A2 | |
| MATERIAL SEE TABLE | | APPLICATION SPEC 114-25011 | CAGE CODE 00779 | DRAWING NO C-826629 |
| FINISH | | WEIGHT | RESTRICTED TO | |
| | | CUSTOMER DRAWING | SCALE 5:1 | SHEET 1 OF 4 |

THIS DRAWING IS UNPUBLISHED. RELEASED FOR PUBLICATION 20
 © COPYRIGHT 20 BY ALL RIGHTS RESERVED.

| REVISIONS | | | | |
|-----------|-----|-------------|------|------|
| P | LTR | DESCRIPTION | DATE | APVD |
| | | SEE SHEET 1 | | |
| | | | | |
| | | | | |



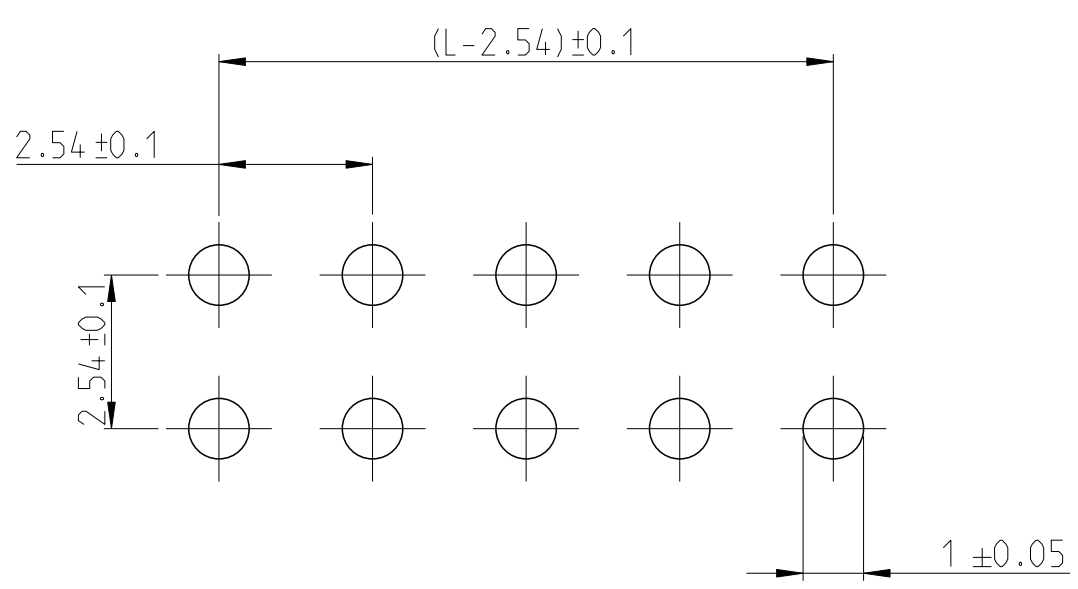
| DIMENSION | | | | | PART-NO. | | PART- NO. | | PART- NO. | | |
|-----------|-----|-----|-----|---|-----------------------|---------------------|-----------|---------------------|-----------|-----------------------|----------|
| | | | | | SELECTIVE GOLD PLATED | | △7 | TIN PLATED | △7 | SELECTIVE GOLD PLATED | |
| A | B | C | F | - | △1 △5 △7 | WEIGHT POS. PER ROW | △2 △5 △7 | WEIGHT POS. PER ROW | △3 △4 △7 | WEIGHT POS. PER ROW | |
| 12.7 | 6.7 | 3.2 | 5.5 | - | 826632 | 0.1276 g | 826925 | 0.1279 g | 828420 | | 0.1272 g |
| 12.0 | 6.7 | 2.5 | 4.4 | - | 826633 | 0.1226 g | 826941 | 0.1229 g | | | |
| 11.8 | 5.8 | 3.2 | 4.4 | - | 826656 | 0.1212 g | 826942 | 0.1217 g | △8 828533 | | 0.1209 g |
| 11.1 | 5.8 | 2.5 | 4.4 | - | 826657 | 0.1162 g | 826943 | 0.1165 g | | | |
| 14.0 | 8.0 | 3.2 | 4.4 | - | 826658 | 0.1366 g | 826944 | 0.1370 g | | | |
| 13.3 | 8.0 | 2.5 | 4.4 | - | 826659 | 0.1316 g | △8 826945 | 0.1323 g | | | |

| | | |
|-------------|----------|-----------------------------|
| CONTACT PIN | CuZn | SEE TABLE |
| PIN HOUSING | PBT GV | SEE TABLE |
| DESCRIPTION | MATERIAL | FABRE/COLOR/PLATING/SURFACE |

NOTES:

- △1 MATING SIDE : AREA "F" MIN 0.7µm PdNi + MIN 0.1µm GOLD OVER 1.27µm NICKEL BY AREA "B"
SOLDER SIDE: MIN 3µm TIN OVER 1.27µm NICKEL
- △2 MATING AND SOLDER SIDE : MIN 3µm TIN OVER 1.27µm NICKEL
- △3 MATING SIDE: AREA "F" 0.13µm GOLD OVER 1.27µm NICKEL BY AREA "B"
SOLDER SIDE: MIN 3µm TIN OVER 1.27µm NICKEL
- △4 COLOR OF HOUSING: GREY
- △5 COLOR OF HOUSING: GREEN
- △6 TOLERANCES NOT CUMULATIVE
- △7 THE NUMBER OF POSITION PER ROW HAS TO BE ADDED TO THE BASE NO. AS A DASH NO.
EG: 2-826632-0 = 20 POSITIONS

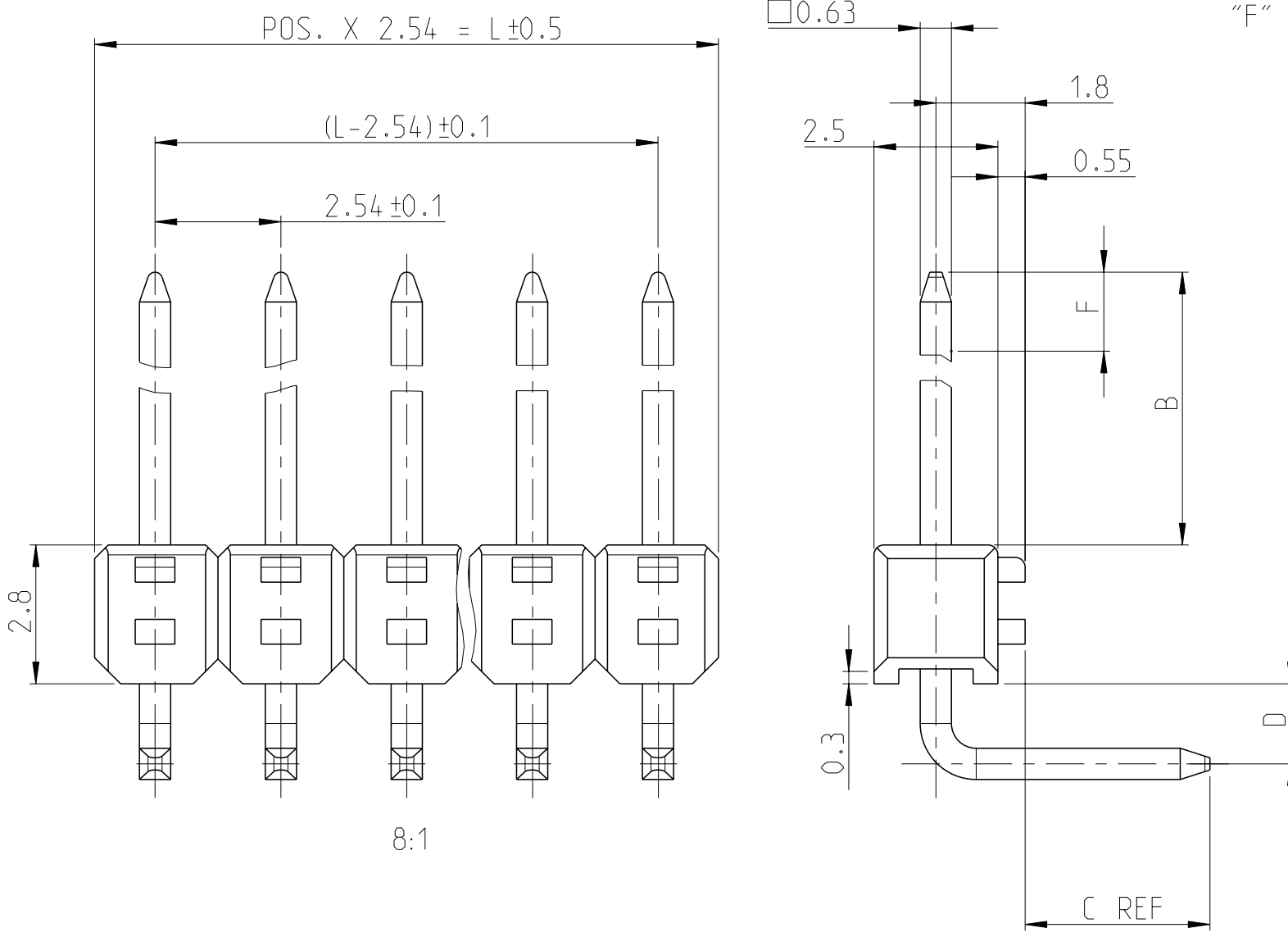
THE NUMBER OF POSITIONS PER ROW IS ALSO THE FACTOR FOR THE WEIGHT DETERMINATION
E.G: 20 X 0.1276 g = 2.552 g
- △8 OBSOLETE



SCALE 8:1
LAYOUT FOR HOLES ON PCB

| | | | | |
|-----------------------------------------------|--|----------------------------|----------------------------------------------------------------------------------|--|
| THIS DRAWING IS A CONTROLLED DOCUMENT. | | DWN G.HOLAUS 10NOV1989 | TE Connectivity | |
| DIMENSIONS: mm | | CHK SCHAARSCHMIDT M. | | |
| TOLERANCES UNLESS OTHERWISE SPECIFIED: ±0.2mm | | PRODUCT SPEC 108-18012 | NAME AMPMODU II PIN HEADER, SINGLE ROW, DUAL ROW, VERTICAL AND RIGHT ANGLE MOUNT | |
| MATERIAL SEE TABLE | | APPLICATION SPEC 114-25011 | SIZE A2 | |
| FINISH | | WEIGHT - | CAGE CODE 00779 | |
| | | CUSTOMER DRAWING | DRAWING NO C-826629 | |
| | | SCALE 5:1 | SHEET 2 OF 4 | |
| | | | REV AC | |

| REVISIONS | | | | |
|-----------|-----|-------------|------|------|
| P | LTR | DESCRIPTION | DATE | APVD |
| | | SEE SHEET 1 | | |



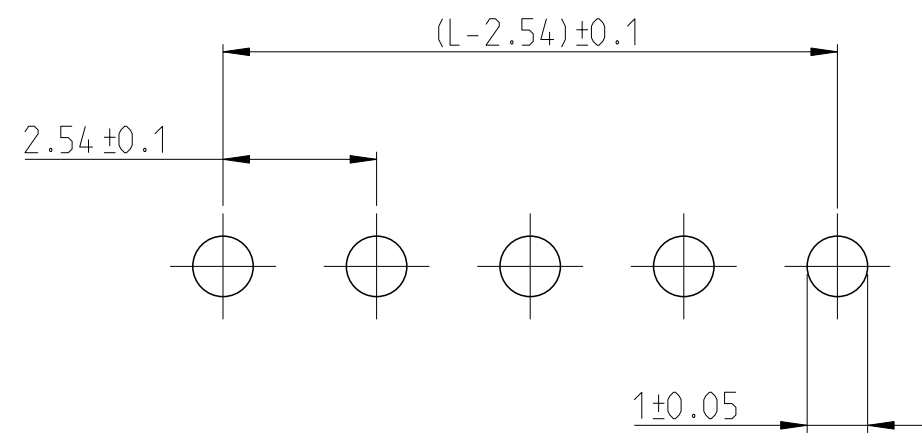
| DIMENSION | | | | | PART-NO. | | PART- NO. | | PART- NO. | | |
|-----------|-----|-----|-----|---|-----------------------|---------------------|-----------|---------------------|-----------|-----------------------|--------|
| | | | | | SELECTIVE GOLD PLATED | | △7 | TIN PLATED | △7 | SELECTIVE GOLD PLATED | |
| B | C | D | F | - | △1 △5 △7 | WEIGHT POS. PER ROW | △5 △7 | WEIGHT POS. PER ROW | △3 △4 △7 | WEIGHT POS. PER ROW | |
| 6.7 | 3.2 | 1.3 | 4.4 | - | | 826631 | 0.0757 g | 826947/2 | 0.0760 g | | |
| 6.7 | 2.5 | 1.3 | 4.4 | - | | 826651 | 0.0731 g | 826948/2 | 0.0735 g | | |
| 5.8 | 3.2 | 1.3 | 4.4 | - | | 826652 | 0.0726 g | 826949/2 | 0.0728 g | △8 | 829071 |
| 5.8 | 2.5 | 1.3 | 4.4 | - | | 826653 | 0.0701 g | 826950/2 | 0.0704 g | | |
| 8.0 | 3.2 | 1.3 | 4.4 | - | | 826654 | 0.0803 g | 826951/2 | 0.0807 g | | |
| 8.0 | 2.5 | 1.3 | 4.4 | - | | 826655 | 0.0777 g | △9 826952/10 | 0.0782 g | | |
| 6.7 | 3.2 | 1.3 | 5.5 | - | | - | - | - | - | △8 | 828419 |

| | | |
|-------------|----------|-----------------------------|
| CONTACT PIN | CuZn | SEE TABLE |
| CONTACT PIN | CuSn6/9 | SEE TABLE |
| PIN HOUSING | PBT GV | SEE TABLE |
| DESCRIPTION | MATERIAL | FABRE/COLOR/PALTING/SURFACE |

NOTES:

- △1 MATING SIDE : AREA "F" MIN 0.7 µm PdNi + MIN 0.1 µm GOLD OVER 1.27 µm NICKEL BY AREA "B"
SOLDER SIDE: MIN 3 µm TIN OVER 1.27 µm NICKEL
- △2 MATING AND SOLDER SIDE : MIN 3 µm TIN OVER 1.27 µm NICKEL
- △3 MATING SIDE: AREA "F" 0.13 µm GOLD OVER 1.27 µm NICKEL BY AREA "B"
SOLDER SIDE: MIN 3 µm TIN OVER 1.27 µm NICKEL
- △4 COLOR OF HOUSING: GREY
- △5 COLOR OF HOUSING: GREEN
- △6 TOLERANCES NOT CUMULATIVE
- △7 THE NUMBER OF POSITION PER ROW HAS TO BE ADDED TO THE BASE NO. AS A DASH NO.
EG: 2-826631-0 = 20 POSITIONS

THE NUMBER OF POSITIONS PER ROW IS ALSO THE FACTOR FOR THE WEIGHT DETERMINATION
E.G: 20 X 0.0757 g = 1.514 g
- △8 OBSOLETE
- △10 MATING AND SOLDER SIDE : 2 µm TIN OVER 1.27 µm NICKEL

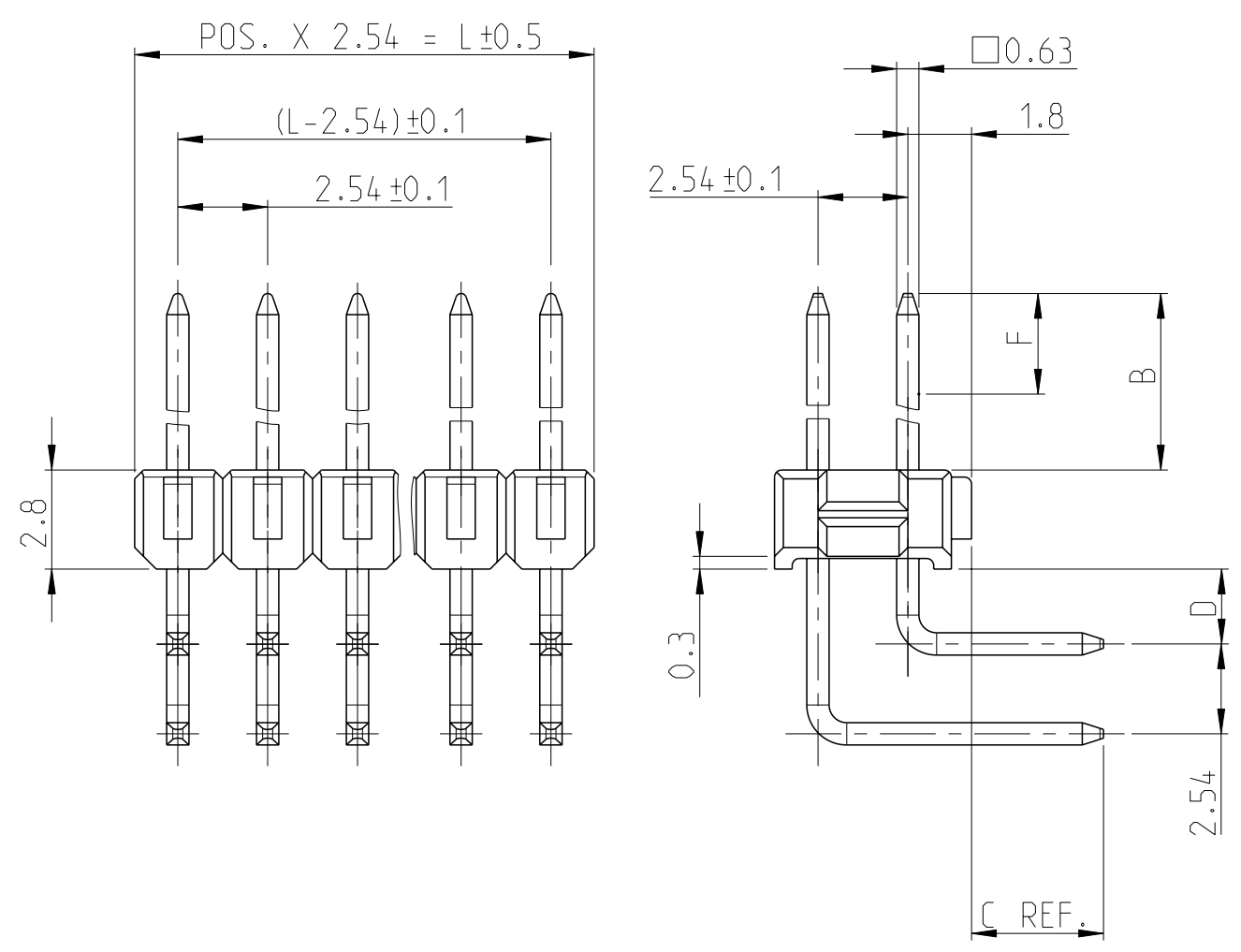


SCALE 8:1
LAYOUT FOR HOLES ON PCB

| | | | | | | | | | | | | | | | | | | |
|-----------------------------------------------------------------------------------------------------------------------------------------------------------------------------------------------------------------------------------------------------------------------------|---|-------------------------------|-------------------------------------------------------------------------------------------|--------------------|---|-------|---|-------|---|-------|---|--------|---|--------|---|---------------------------|------------|--------------------|
| THIS DRAWING IS A CONTROLLED DOCUMENT. | | DWN G.HOLAUS 10NOV1989 | TE Connectivity | | | | | | | | | | | | | | | |
| DIMENSIONS: mm | | CHK SCHAARSCHMIDT M. | | | | | | | | | | | | | | | | |
| TOLERANCES UNLESS OTHERWISE SPECIFIED: ±0.2mm | | APVD | NAME AMPMODU II PIN HEADER, SINGLE ROW, DUAL ROW, VERTICAL AND RIGHT ANGLE MOUNT | | | | | | | | | | | | | | | |
| <table border="0"> <tr><td>0 PLC</td><td>±</td></tr> <tr><td>1 PLC</td><td>±</td></tr> <tr><td>2 PLC</td><td>±</td></tr> <tr><td>3 PLC</td><td>±</td></tr> <tr><td>4 PLC</td><td>±</td></tr> <tr><td>ANGLES</td><td>±</td></tr> <tr><td>FINISH</td><td>-</td></tr> </table> | | 0 PLC | ± | 1 PLC | ± | 2 PLC | ± | 3 PLC | ± | 4 PLC | ± | ANGLES | ± | FINISH | - | PRODUCT SPEC 108-18012 | SIZE A2 | CAGE CODE 00779 |
| 0 PLC | ± | | | | | | | | | | | | | | | | | |
| 1 PLC | ± | | | | | | | | | | | | | | | | | |
| 2 PLC | ± | | | | | | | | | | | | | | | | | |
| 3 PLC | ± | | | | | | | | | | | | | | | | | |
| 4 PLC | ± | | | | | | | | | | | | | | | | | |
| ANGLES | ± | | | | | | | | | | | | | | | | | |
| FINISH | - | | | | | | | | | | | | | | | | | |
| MATERIAL SEE TABLE | | APPLICATION SPEC 114-25011 | DRAWING NO C=826629 | RESTRICTED TO - | | | | | | | | | | | | | | |
| | | WEIGHT - | CUSTOMER DRAWING | | | | | | | | | | | | | | | |
| | | SCALE 5:1 | | SHEET 3 OF 4 | | | | | | | | | | | | | | |
| | | | | REV AC | | | | | | | | | | | | | | |

THIS DRAWING IS UNPUBLISHED. RELEASED FOR PUBLICATION 20
 © COPYRIGHT 20 BY - ALL RIGHTS RESERVED.

| REVISIONS | | | | |
|-----------|-----|-------------|------|------|
| P | LTR | DESCRIPTION | DATE | APVD |
| | | SEE SHEET 1 | | |
| | | | | |
| | | | | |



"F" = GOLD AREA

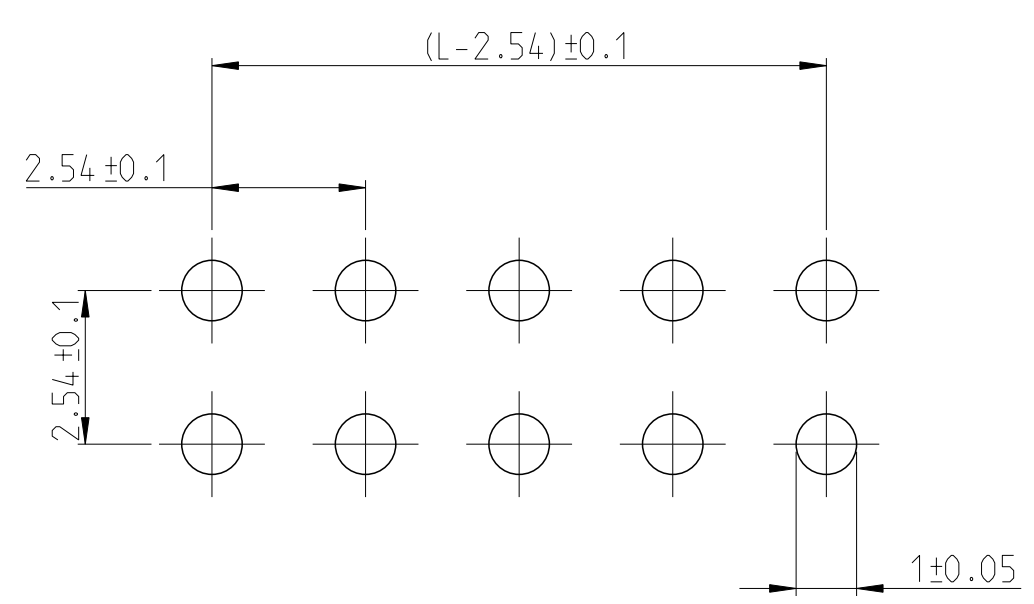
| DIMENSION | | | | | PART-NO. | | PART- NO. | | PART- NO. | |
|-----------|-----|-----|-----|---|-----------------------|---------------------|------------|---------------------|-----------------------|---------------------|
| | | | | | SELECTIVE GOLD PLATED | △7 | TIN PLATED | △7 | SELECTIVE GOLD PLATED | △7 |
| B | C | D | F | - | △1 △5 △7 | WEIGHT POS. PER ROW | △2 △5 △7 | WEIGHT POS. PER ROW | △3 △4 △7 | WEIGHT POS. PER ROW |
| 6.7 | 3.2 | 1.3 | 4.4 | - | 826634 | 0.1646 g | 826953 | 0.1656 g | △8 828418 | 0.1651 g |
| 6.7 | 2.5 | 1.3 | 4.4 | - | △8 826661 | 0.1597 g | △8 826954 | 0.1606 g | | |
| 5.8 | 3.2 | 1.3 | 4.4 | - | 826662 | 0.1587 g | 826955 | 0.1603 g | △8 829072 | 0.1587 g |
| 5.8 | 2.5 | 1.3 | 4.4 | - | 826663 | 0.1538 g | △8 826956 | 0.1542 g | | |
| 8.0 | 3.2 | 1.3 | 4.4 | - | 826664 | 0.1741 g | 826957 | 0.1749 g | | |
| 8.0 | 2.5 | 1.3 | 4.4 | - | 826665 | 0.1687 g | △8 826958 | 0.1699 g | | |

| | | |
|-------------|----------|-----------------------------|
| CONTACT PIN | CuZn | SEE TABLE |
| PIN HOUSING | PBT GV | SEE TABLE |
| DESCRIPTION | MATERIAL | FABRE/COLOR/PALTING/SURFACE |

NOTES:

- △1 MATING SIDE : AREA "F" MIN 0.7 μm PdNi + MIN 0.1 μm GOLD OVER 1.27 μm NICKEL BY AREA "B"
SOLDER SIDE: MIN 3 μm TIN OVER 1.27 μm NICKEL
- △2 MATING AND SOLDER SIDE : MIN 3 μm TIN OVER 1.27 μm NICKEL
- △3 MATING SIDE: AREA "F" 0.13 μm GOLD OVER 1.27 μm NICKEL BY AREA "B"
SOLDER SIDE: MIN 3 μm TIN OVER 1.27 μm NICKEL
- △4 COLOR OF HOUSING: GREY
- △5 COLOR OF HOUSING: GREEN
- △6 TOLERANCES NOT CUMULATIVE
- △7 THE NUMBER OF POSITION PER ROW HAS TO BE ADDED TO THE BASE NO. AS A DASH NO.
EG: 2-826634-0 = 20 POSITIONS

THE NUMBER OF POSITIONS PER ROW IS ALSO THE FACTOR FOR THE WEIGHT DETERMINATION
E.G: 20 X 0.1646 g = 3.292 g
- △8 OBSOLETE



SCALE 8:1
LAYOUT FOR HOLES ON PCB

| | | | | |
|-----------------------------------------------|--|------------------------------|-------------------------------------------------------------------------------------------|-------------------------------|
| THIS DRAWING IS A CONTROLLED DOCUMENT. | | DWN G.HOLAUS 10NOV1989 | TE Connectivity | |
| DIMENSIONS: mm | | CHK SCHAARSCHMIDT M. | | |
| TOLERANCES UNLESS OTHERWISE SPECIFIED: ±0.2mm | | APVD | NAME AMPMODU II PIN HEADER, SINGLE ROW, DUAL ROW, VERTICAL AND RIGHT ANGLE MOUNT | |
| MATERIAL SEE TABLE | | PRODUCT SPEC 108-18012 | SIZE 114-25011 | RESTRICTED TO |
| FINISH | | APPLICATION SPEC | WEIGHT | SCALE 5:1 SHEET 4 OF 4 REV AC |
| CUSTOMER DRAWING | | 114-25011 | A2 00779 C-826629 | |

Mouser Electronics

Authorized Distributor

Click to View Pricing, Inventory, Delivery & Lifecycle Information:

[TE Connectivity:](#)

[826926-8](#)