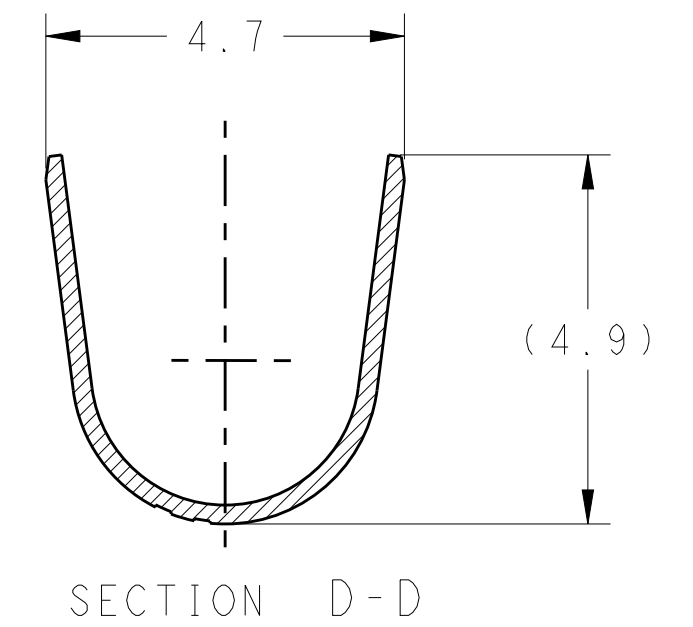
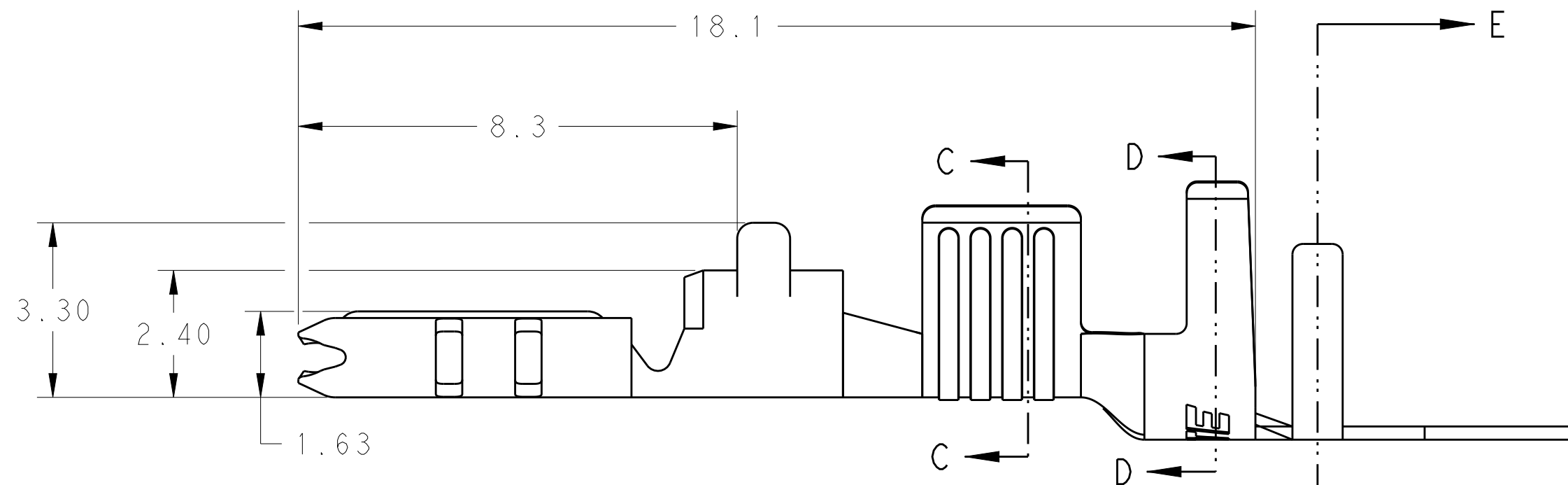
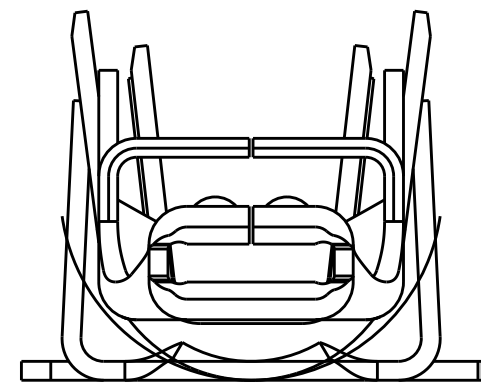
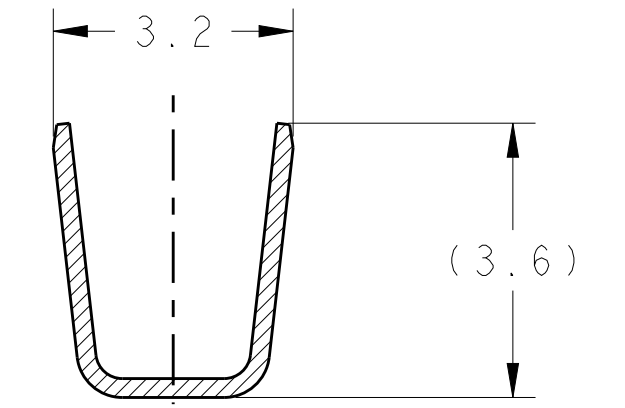
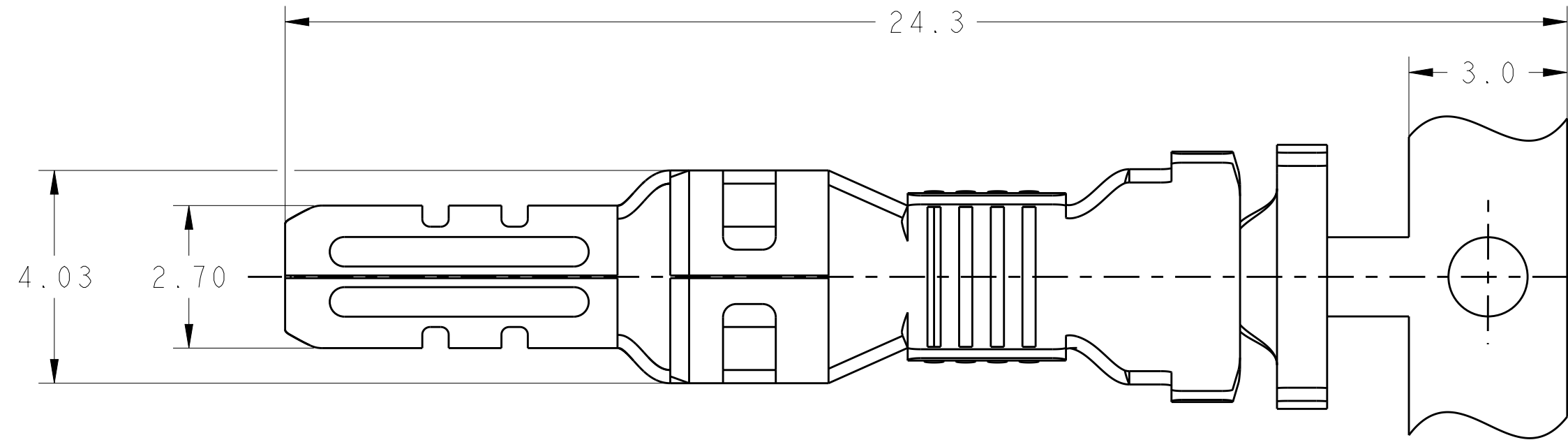
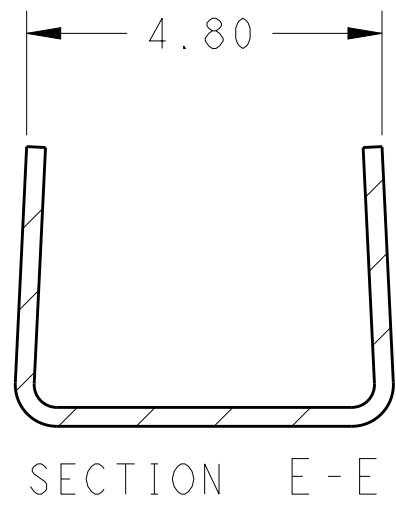


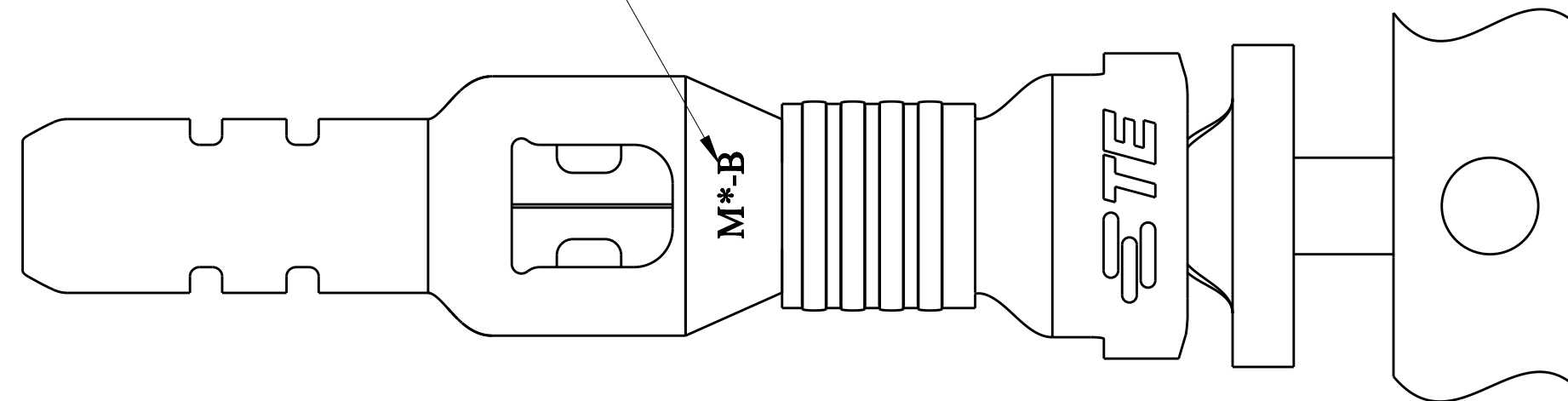
THIS DRAWING IS UNPUBLISHED. RELEASED FOR PUBLICATION 20
 © COPYRIGHT 20 BY - ALL RIGHTS RESERVED.

LOC ES DIST 00

REVISIONS				
P	LTR	DESCRIPTION	DATE	APVD
C1		REVISED PER ECO-16-016321	14NOV2016	RS GJ
D		REVISED PER ECO-18-004073	24MAY2018	BKW GJ



△ MATERIAL/SIZE MARK



1. APPLICABLE WIRE: 14AWG COPPER STRANDED
2. APPLICABLE INSULATION DIAMETER: 3.40~3.70mm
3. APPLICABLE MATED CAP HOUSING P/N:
 -1971771-/*-1971774-*/*-1971874-*/
 -1971772-/*-1971775-*/*-1971875-*/
 -2232263-/*-2232264-*/*-2232356-*/
 -2232358-/*-2232359-*/*-2232360-*

△ WIRE SIZE INDICATOR "B"=14 AWG

5. This product has not completed validation testing.

COPPER ALLOY	HIGH(150°C)	M0	1971782-2
BRASS	STANDARD(105°C)	M8	1971782-1
MATERIAL	TEMP. RATING	MATERIAL MARK	PART NO

DIMENSIONS:		TOLERANCES UNLESS OTHERWISE SPECIFIED:		DWN TOMMY WU 11JUL2011		CHK HAPYE WU 11JUL2011		APVD YUHONG MAO 11JUL2011		NAME	
mm		0 PLC	±	PRODUCT SPEC		108-106118		APPLICATION SPEC		114-106118	
SEE TABLE		1 PLC	±0.5	MATERIAL		PRE-TIN		WEIGHT		A2100779C-1971782	
		2 PLC	±0.30	FINISH		Customer Drawing		SCALE 5:1		SHEET 1 OF 1	
		3 PLC	±							REV D	
		4 PLC	±								
		ANGLES	±								

STE TE Connectivity

TAB CONTACT
POWER TRIPLE LOCK

Mouser Electronics

Authorized Distributor

Click to View Pricing, Inventory, Delivery & Lifecycle Information:

[TE Connectivity:](#)

[1971782-2](#)