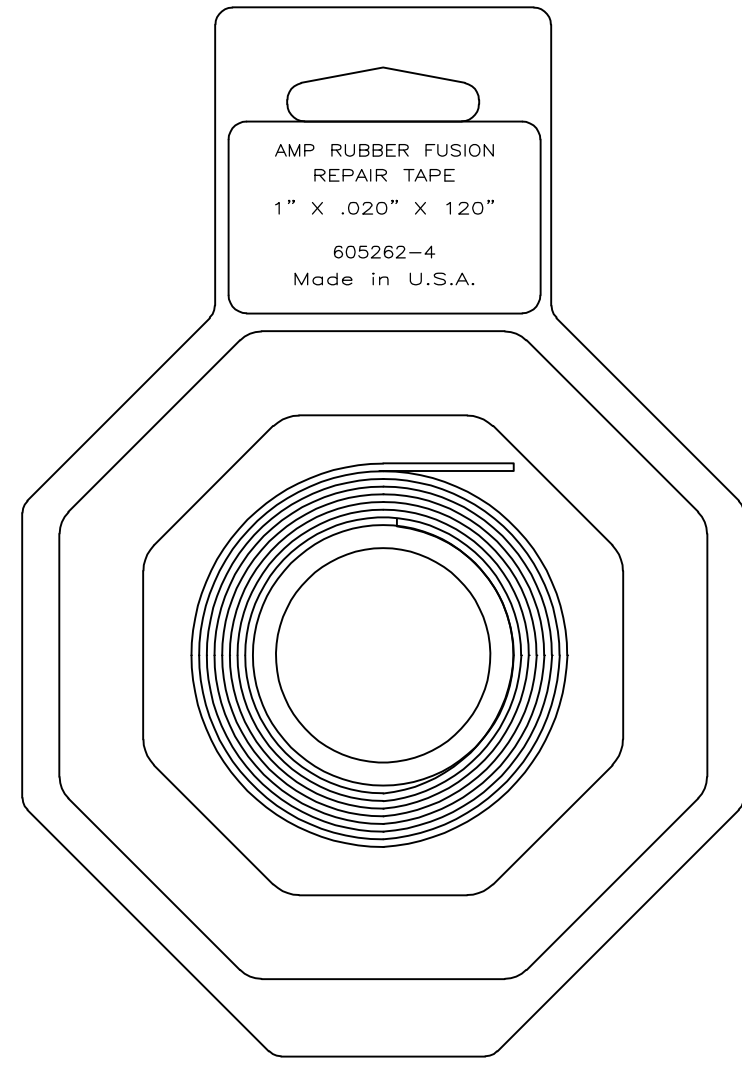
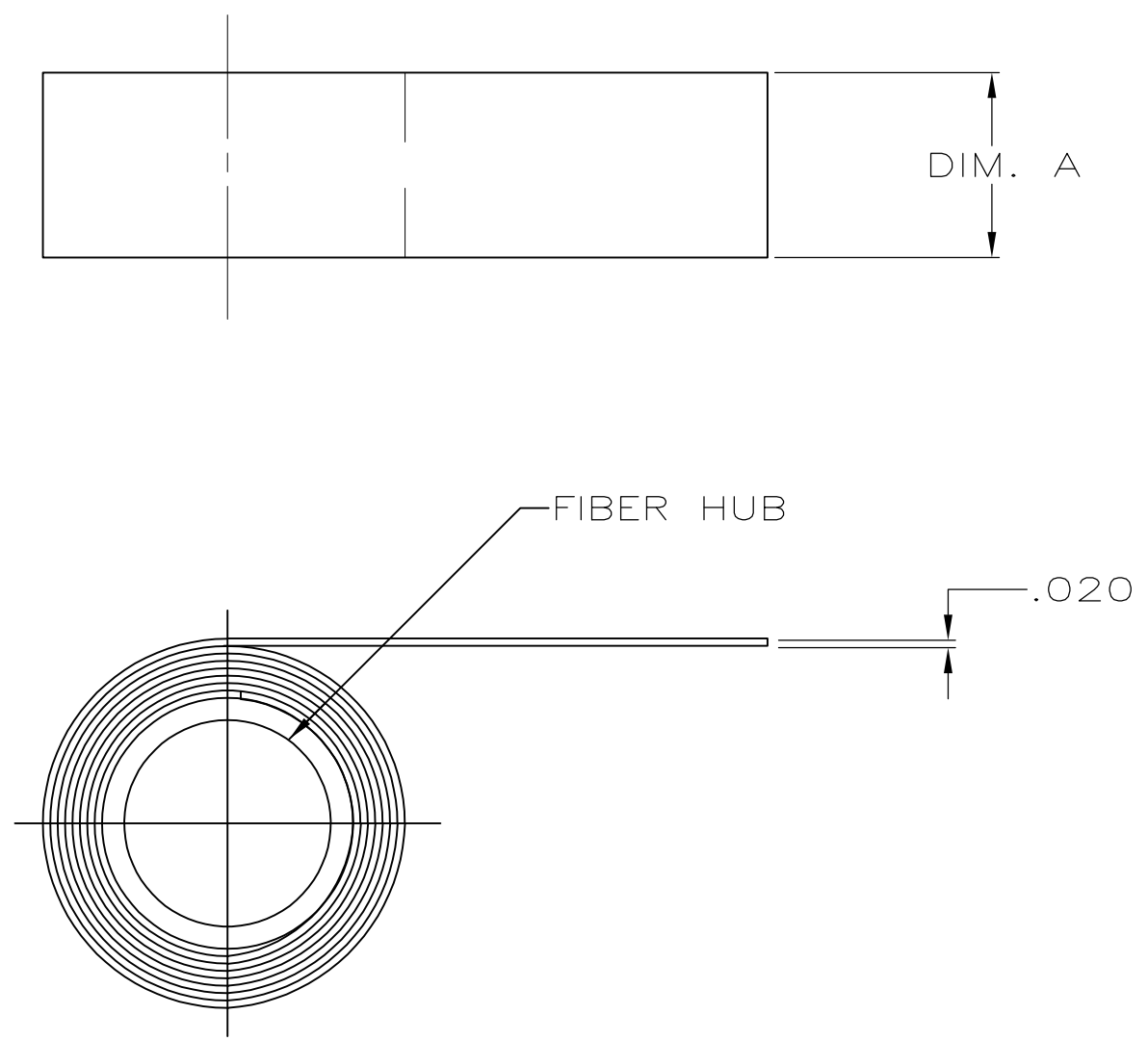


THIS DRAWING IS UNPUBLISHED. RELEASED FOR PUBLICATION  
 © COPYRIGHT BY TYCO ELECTRONICS CORPORATION. ALL INTERNATIONAL RIGHTS RESERVED.

LOC	DIST	REVISIONS			
P	LTR	DESCRIPTION	DATE	DWN	APVD
EY	25	F	REV PER ECR 10-009281	04MAY10	JR TM

- 1 MATERIAL: POLYISOBUTYLENE SELF-AMALGAMATING TAPE, BLACK, .020 THICK.
- 2 PACKAGED 1 ROLL PER POLYBAG.
- 3 PACKAGED 1 ROLL PER CLAMSHELL, 5 CLAMSHELLS PER CARTON, SEE FIGURE A.
- 4 SELF-AMALGAMATING MATERIAL HAS 5-YEAR SHELF-LIFE, WHICH BEGINS THE DAY ITS MADE. USE AFTER EXPIRATION CONSIDERABLY IMPEDES ITS ABILITY TO FUSE.



PACKAGED	LENGTH/ROLL	DIM. A	PART NO.
3	3.05M [10 FEET]	25.4 [1.00]	605262-4
2	9.15M [30 FEET]	50.8 [2.00]	605262-2
2	3.05M [10 FEET]	25.4 [1.00]	605262-1

THIS DRAWING IS A CONTROLLED DOCUMENT.		DWN 9-07-94 D.L. DRUMMOND	Tyco Electronics Corporation Harrisburg, PA 17105-3608	
DIMENSIONS: INCHES		CHK 9-21-94 C. WHITT	NAME TAPE, COLD SHRINK	
TOLERANCES UNLESS OTHERWISE SPECIFIED:		APVD 9-27-94 D KAAT	PRODUCT SPEC -	
0 PLC ± -		APPLICATION SPEC -	SIZE A2	CAGE CODE 00779
1 PLC ± -		WEIGHT -	DRAWING NO C=605262	RESTRICTED TO -
2 PLC ± -		CUSTOMER DRAWING	SCALE NONE	SHEET 1 of 1
3 PLC ± -			REV F	
4 PLC ± -				
ANGLES ± -				
FINISH -				

605262

# Mouser Electronics

Authorized Distributor

Click to View Pricing, Inventory, Delivery & Lifecycle Information:

[TE Connectivity:](#)

[605262-2](#)