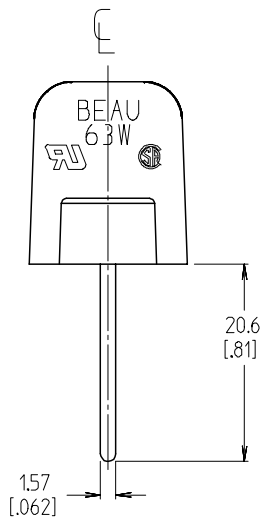
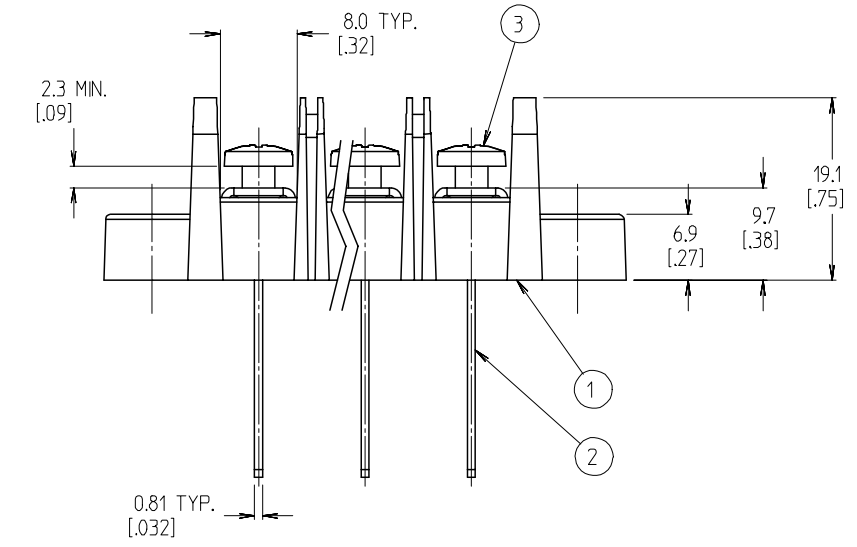


AUX. VIEW  
3 CIRCUIT SHOWN



- NOTES:
1. MATERIAL: SEE TABLE
  2. FINISHES: SEE TABLE
  3. INCH DIMS ARE SHOWN IN BRACKETS [XXX].
  4. "XX" REFERS TO THE QUANTITY OF CIRCUITS.
  5. ASSEMBLY IS ROHS COMPLIANT.
  6. ASSEMBLY IS SUPPLIED WITH SCREWS UP IN WIRE READY POSITION.

ITEM	QTY.	DESCRIPTION	MATERIAL	FINISH
3	XX	SCREW, #6-32X.250, PAN, PHIL-SLOT, WIRE READY	STEEL	ZN, CLEAR CHROMATE
2	XX	TERMINAL, WW, EXTRA LONG	BRASS	TIN PLATE
1	1	INSULATOR, SR, PC, MOLDED MTG	PBT	BLACK

INITIAL RELEASE  
EC NO: ETC2007-0414  
DRWN: CLYORK 2007/05/17  
CHKD: JMACNEIL 2007/05/17  
APPR: JMACNEIL 2007/05/17

QUALITY SYMBOLS  
 = 0  
 = 0

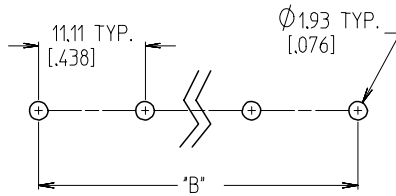
	GENERAL TOLERANCES (UNLESS SPECIFIED)	
	mm	INCH
4 PLACES	± .005	± .0005
3 PLACES	± .013	± .001
2 PLACES	± 0.3	± .012
1 PLACE	± 0.3	± .012
ANGULAR ± 2 °		

DIMENSION STYLE	
MM/IN	SCALE
DRAWN BY: C. YORK	DATE: 2007/05/17
CHECKED BY: J. MACNEIL	DATE: 2007/05/17
APPROVED BY: J. MACNEIL	DATE: 2007/05/17
MATERIAL NO.	DOCUMENT NO.
SEE SHT. 2	SD-38639-010

SCALE	DESIGN UNITS	THIRD ANGLE PROJECTION
2:1	INCH	
11.11MM [.438] SR BTS ASY, NO PADS, EXTRA LONG TERM, WIRE READY SCREWS		
MOLEX INCORPORATED		SHEET NO. 1 OF 2

THIS DRAWING CONTAINS INFORMATION THAT IS PROPRIETARY TO MOLEX INCORPORATED AND SHOULD NOT BE USED WITHOUT WRITTEN PERMISSION

NUMBER OF CIRCUITS "XX"	DIM. "A"		DIM. "B"		DIM. "C"		DIM. "D"		ASSEMBLY MATERIAL NO. (-W-47-81)
02	43.4	[1.71]	11.11	[.438]	33.34	[1.313]	25.9	[1.02]	386390164
03	54.5	[2.15]	22.23	[.875]	44.45	[1.750]	37.0	[1.46]	
04	65.7	[2.59]	33.34	[1.313]	55.56	[2.188]	48.1	[1.90]	
05	76.8	[3.02]	44.45	[1.750]	66.68	[2.625]	59.2	[2.33]	
06	87.9	[3.46]	55.56	[2.188]	77.79	[3.063]	70.4	[2.77]	
07	99.0	[3.90]	66.68	[2.625]	88.90	[3.500]	81.5	[3.21]	
08	110.1	[4.34]	77.79	[3.063]	100.01	[3.938]	92.6	[3.65]	
09	121.2	[4.77]	88.90	[3.500]	111.13	[4.375]	103.7	[4.08]	
10	132.3	[5.21]	100.01	[3.938]	122.24	[4.813]	114.8	[4.52]	
11	143.4	[5.65]	111.13	[4.375]	133.35	[5.250]	125.9	[4.96]	
12	154.6	[6.09]	122.24	[4.813]	144.46	[5.688]	137.0	[5.40]	



RECOMMENDED PCB LAYOUT

SEE SHEET ONE EC NO: ETC2007-0414 DRWN: CLYORK 2007/05/17 CHKD: JMACNEIL 2007/05/17 APPR: JMACNEIL 2007/05/17	QUALITY SYMBOLS ▽=0 ▽=0	GENERAL TOLERANCES (UNLESS SPECIFIED)		DIMENSION STYLE	SCALE	DESIGN UNITS	THIRD ANGLE PROJECTION		
			mm	INCH	MM/IN	2:1	INCH		
		4 PLACES	± .005	± .005	DRAWN BY	DATE	TITLE		
		3 PLACES	± .01	± .005	C. YORK	2007/05/17	11.11MM [.438] SR BTS		
2 PLACES	± 0.13	± .01	2 PLACES	CHECKED BY	DATE	ASY, NO PADS, EXTRA LONG			
1 PLACE	± 0.3	± .01	1 PLACE	J. MACNEIL	2007/05/17	TERM, WIRE READY SCREWS			
ANGULAR ± 2 °		APPROVED BY		DATE	MOLEX INCORPORATED				
		J. MACNEIL		2007/05/17	DOCUMENT NO.		SHEET NO.		
DRAFT WHERE APPLICABLE MUST REMAIN WITHIN DIMENSIONS		SEE CHART		SD-38639-010		2 OF 2			
		SIZE B		THIS DRAWING CONTAINS INFORMATION THAT IS PROPRIETARY TO MOLEX INCORPORATED AND SHOULD NOT BE USED WITHOUT WRITTEN PERMISSION					

# Mouser Electronics

Authorized Distributor

Click to View Pricing, Inventory, Delivery & Lifecycle Information:

[Molex:](#)

[38639-0164](#)