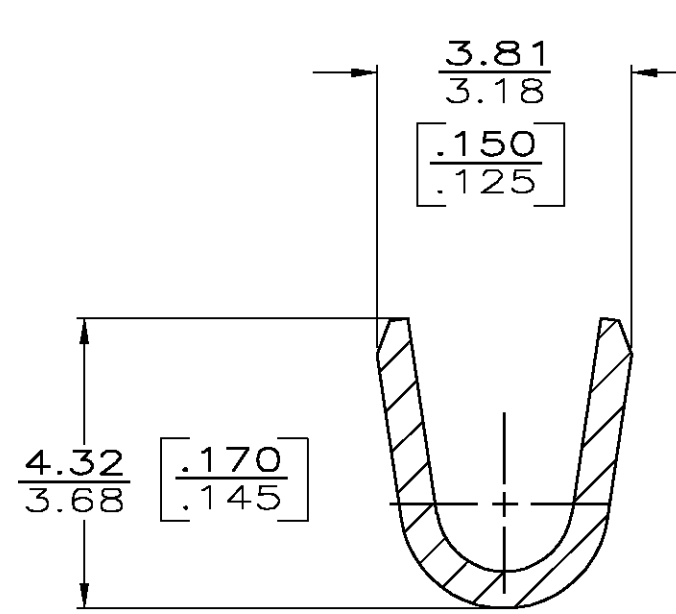
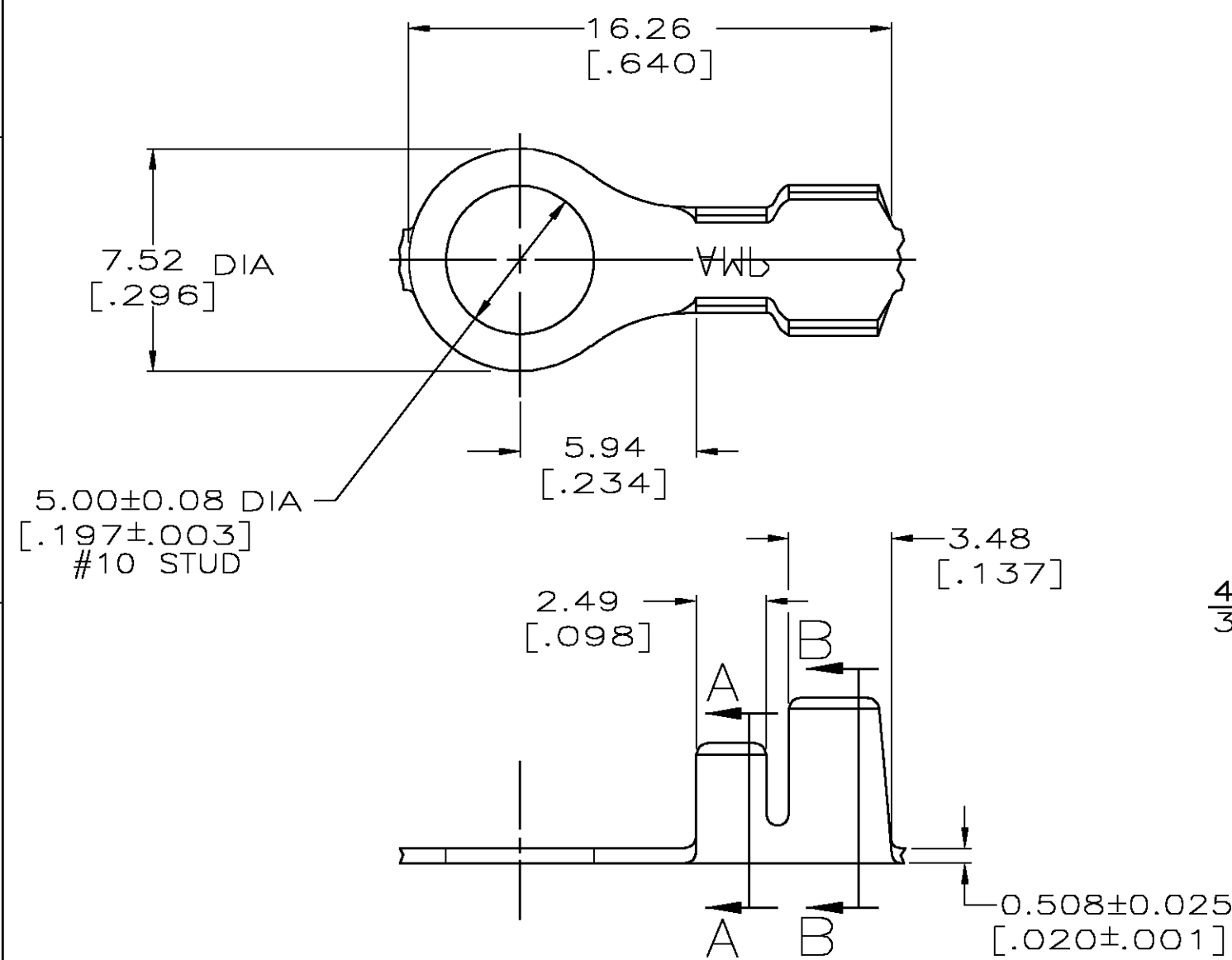
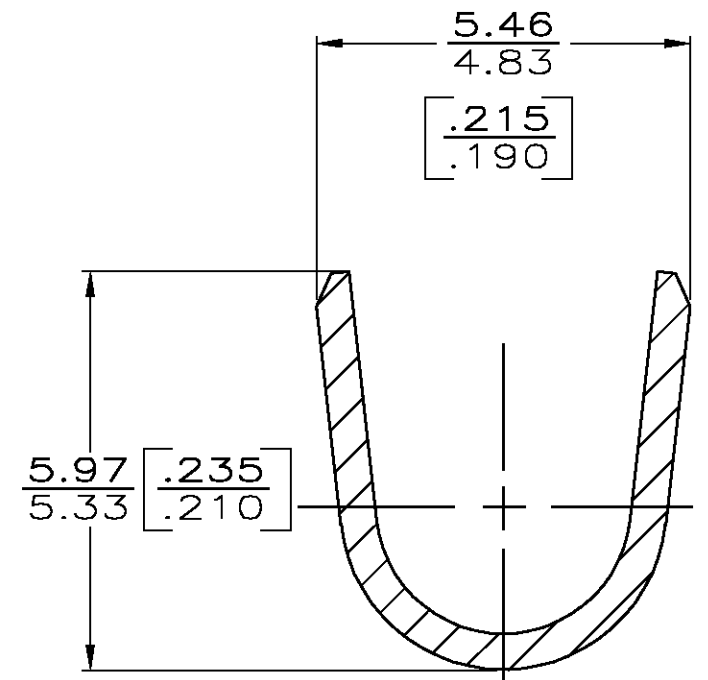


LOC	DIST	REVISIONS					
AF	50	P	LTR	DESCRIPTION	DATE	DWN	APVD
			N	REV PER 0G3A-0109-03	02MAY03	JR	DD

- CONTINUOUS STRIP ON REEL.
- WIRE SIZE IS 0.8-2.0mm [18-14]AWG
- INSULATION RANGE IS 3.05-4.32 [.120-.170] DIA.



SECTION A-A
SCALE 10:1



SECTION B-B
SCALE 10:1

41560
PART NO

THIS DRAWING IS A CONTROLLED DOCUMENT.		DWN	P FORTNEY	7/22/91	 Tyco Electronics Corporation Harrisburg, PA 17105
DIMENSIONS: mm [INCHES]		CHK	MS FEHER	8/8/91	
		APVD	R WEAVILL	8/8/91	
TOLERANCES UNLESS OTHERWISE SPECIFIED:		NAME		RING TONGUE	
0 PLC ± - 1 PLC ± - 2 PLC ± 0.25 [.010] 3 PLC ± - 4 PLC ± - ANGLES ± -		PRODUCT SPEC		-	
MATERIAL		APPLICATION SPEC		-	
082 BRASS		WEIGHT		-	
FINISH		SIZE		A3	
		CAGE CODE		00779	
		DRAWING NO		41560	
		RESTRICTED TO		-	
		CUSTOMER DRAWING		SCALE 5:1	
				SHEET 1 OF 1	
				REV N	

Mouser Electronics

Authorized Distributor

Click to View Pricing, Inventory, Delivery & Lifecycle Information:

[TE Connectivity:](#)

[41560 \(MOUSER REEL\)](#) [41560 \(CUT STRIP\)](#)