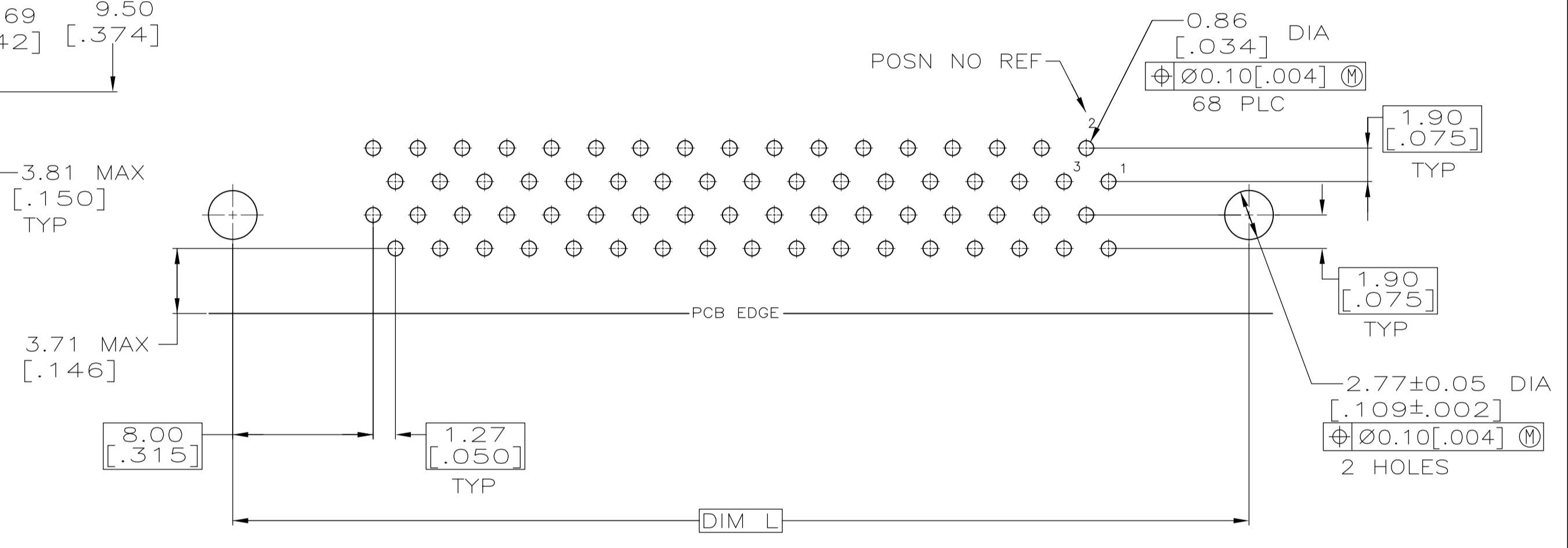
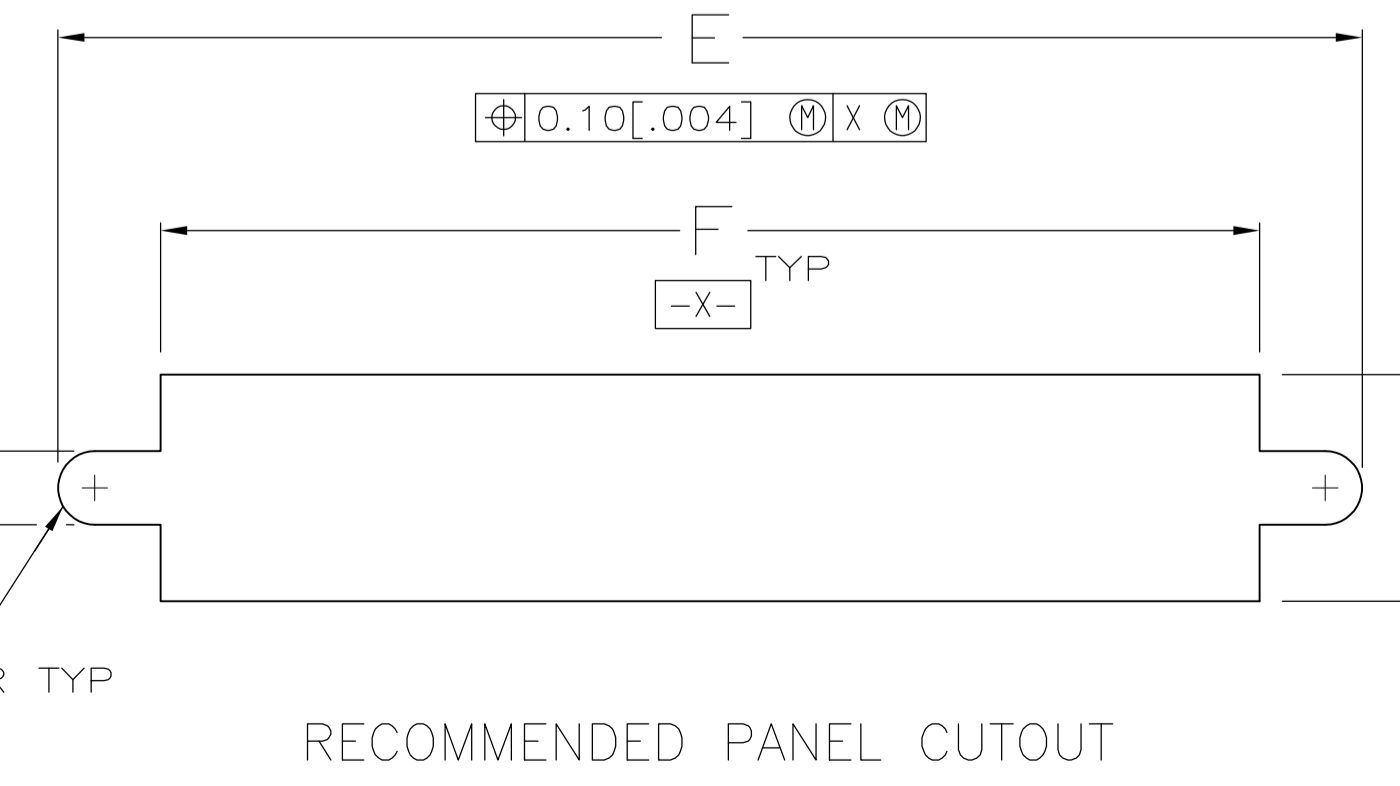
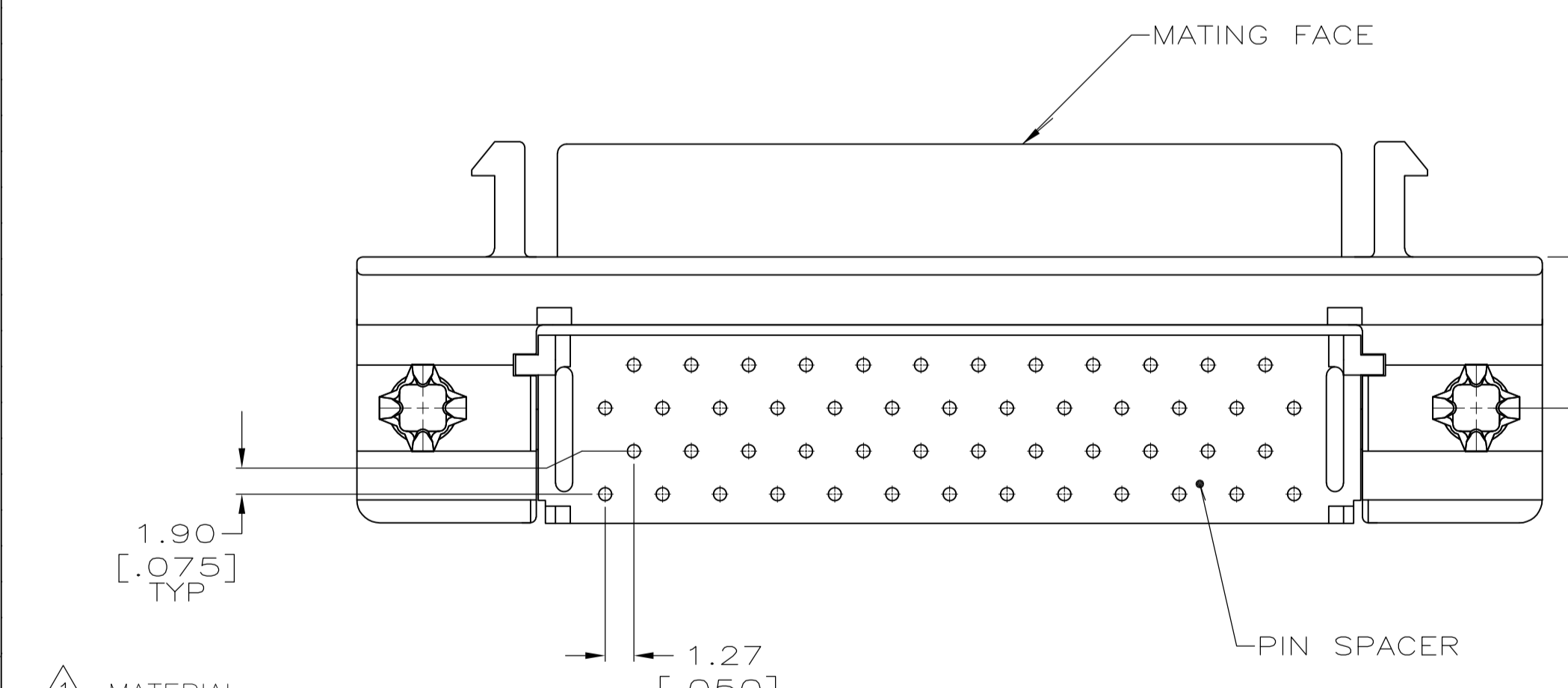


P.C. BOARD MOUNTING DIMENSIONS
CONNECTOR SIDE
P.C. BOARD THICKNESS 1.57±0.20 [.062±.008]
PC BOARD PATTERN S



P.C. BOARD MOUNTING DIMENSIONS
CONNECTOR SIDE
P.C. BOARD THICKNESS 1.57±0.20 [.062±.008]
PC BOARD PATTERN T



RECOMMENDED PANEL CUTOUT

MATERIAL
CONTACTS: PHOSPHOR BRONZE
HOUSING & PIN SPACER: UL 94V-0 RATED, THERMOPLASTIC, BLACK
BRACKET: ZINC
SHELL: CARBON STEEL
BOARDLOCKS: COPPER ALLOY.

FINISH
CONTACTS: EITHER 0.76µm [.000030] MIN GOLD PLATE FOR A LENGTH OF 0.64 [.025] MAX, 0.13 [.005] MIN FROM MATING END OR GOLD FLASH OVER PALLADIUM NICKEL PLATE, 0.76µm [.000030] MIN TOTAL FOR A LENGTH OF 0.64 [.025] MAX, 0.13 [.005] MIN FROM MATING END. 3.81µm [.000150] MIN TIN-LEAD FOR A LENGTH OF 2.72 [.107] MIN FROM OPPOSITE END, ALL OVER 1.27µm [.000050] MIN NICKEL UNDERPLATE.
SHELL: 5.08µm [.000200] MIN NICKEL OVER 1.27µm [.000050] MIN COPPER.
BRACKET 2.54µm [.000100] MIN NICKEL OVER 5.08µm [.000200] COPPER.

- ③ 5.08µm [.000200] MIN TIN-LEAD OVER 1.27µm [.000050] MIN NICKEL.
- ④ 3.00µm [.000118] MIN TIN OVER 1.27µm [.000050] MIN NICKEL.
- ⑤ OBSOLETE PARTS: OBSOLETE CIS STREAMLINING PER D.RENAUD/D.SINISI

⑤ SUPERSEDED BY 5787082-5
OBSOLETE

| PACKAGING | BOARDLOCK FINISH | PC BOARD PATTERN | L | G | F | E | D | B | A | NO OF POSN | PART NUMBER |
|-----------|------------------|------------------|------------------|----------------|------------------|------------------|------------------|------------------|------------------|------------|-------------|
| TUBE | ④ | T | 78.23 [3.080] | 0.64 [.025] | 74.55 [2.935] | 80.67 [3.176] | 84.20 [3.315] | 66.45 [2.616] | 78.23 [3.080] | 100 | 1-787082-8 |
| TUBE | ④ | T | 57.91 [2.280] | 0.64 [.025] | 54.23 [2.135] | 60.35 [2.376] | 63.88 [2.515] | 46.13 [1.816] | 57.91 [2.280] | 68 | 1-787082-7 |
| TUBE | ④ | S | 46.48 [1.830] | 1.27 [.050] | 42.80 [1.685] | 48.92 [1.926] | 52.45 [2.065] | 34.70 [1.366] | 46.48 [1.830] | 50 | 1-787082-6 |
| TRAY | ③ | S | 46.48 [1.830] | 1.27 [.050] | 42.80 [1.685] | 48.92 [1.926] | 52.45 [2.065] | 34.70 [1.366] | 46.48 [1.830] | 50 | 1-787082-5 |
| TUBE | ③ | T | 78.23 [3.080] | 0.64 [.025] | 74.55 [2.935] | 80.67 [3.176] | 84.20 [3.315] | 66.45 [2.616] | 78.23 [3.080] | 100 | 787082-9 |
| TUBE | ③ | T | 57.91 [2.280] | 0.64 [.025] | 54.23 [2.135] | 60.35 [2.376] | 63.88 [2.515] | 46.13 [1.816] | 57.91 [2.280] | 68 | 787082-7 |
| TUBE | ③ | S | 46.48 [1.830] | 1.27 [.050] | 42.80 [1.685] | 48.92 [1.926] | 52.45 [2.065] | 34.70 [1.366] | 46.48 [1.830] | 50 | 787082-5 |
| TUBE | ③ | T | 32.51 [1.280] | 0.64 [.025] | 28.83 [1.135] | 34.95 [1.376] | 38.48 [1.515] | 20.73 [.816] | 32.51 [1.280] | 28 | 787082-3 |
| TUBE | ③ | S | 31.24 [1.230] | 1.27 [.050] | 27.56 [1.085] | 33.68 [1.326] | 37.21 [1.465] | 19.46 [.766] | 31.24 [1.230] | 26 | 787082-2 |

THIS DRAWING IS A CONTROLLED DOCUMENT. DIN D. BROCKWAY 12-14-93
CHK R. STONE 1-5-94

DIMENSIONS: INCHES. TOLERANCES UNLESS OTHERWISE SPECIFIED:
0 PLC ± -
1 PLC ± -
2 PLC ± 0.13 [.005]
3 PLC ± -
4 PLC ± -
ANGLES ± -

MATERIAL ① FINISH ②

PRODUCT SPEC 108-1228
APPLICATION SPEC 114-40029
WEIGHT -
CUSTOMER DRAWING

STE TE Connectivity
RECEPTACLE ASSEMBLY, SHIELDED, RIGHT ANGLE, .050 SERIES, AMPLIMATE
SIZE A1 CASE CODE 00779 DRAWING NO. 787082
SCALE 4:1 SHEET 1 OF 1 REV Y2

Mouser Electronics

Authorized Distributor

Click to View Pricing, Inventory, Delivery & Lifecycle Information:

[TE Connectivity:](#)

[787082-9](#)