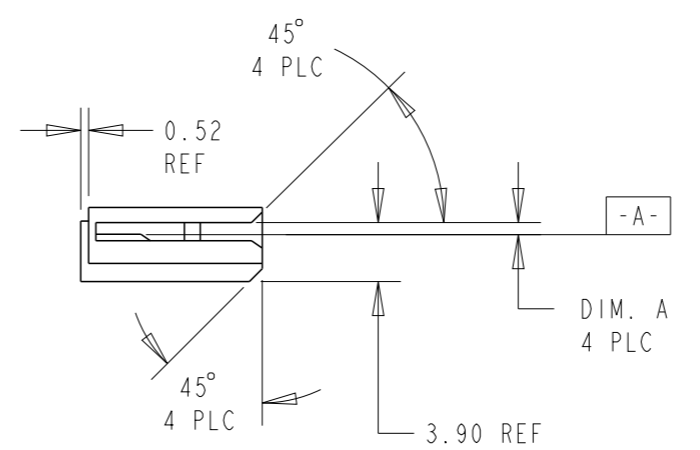
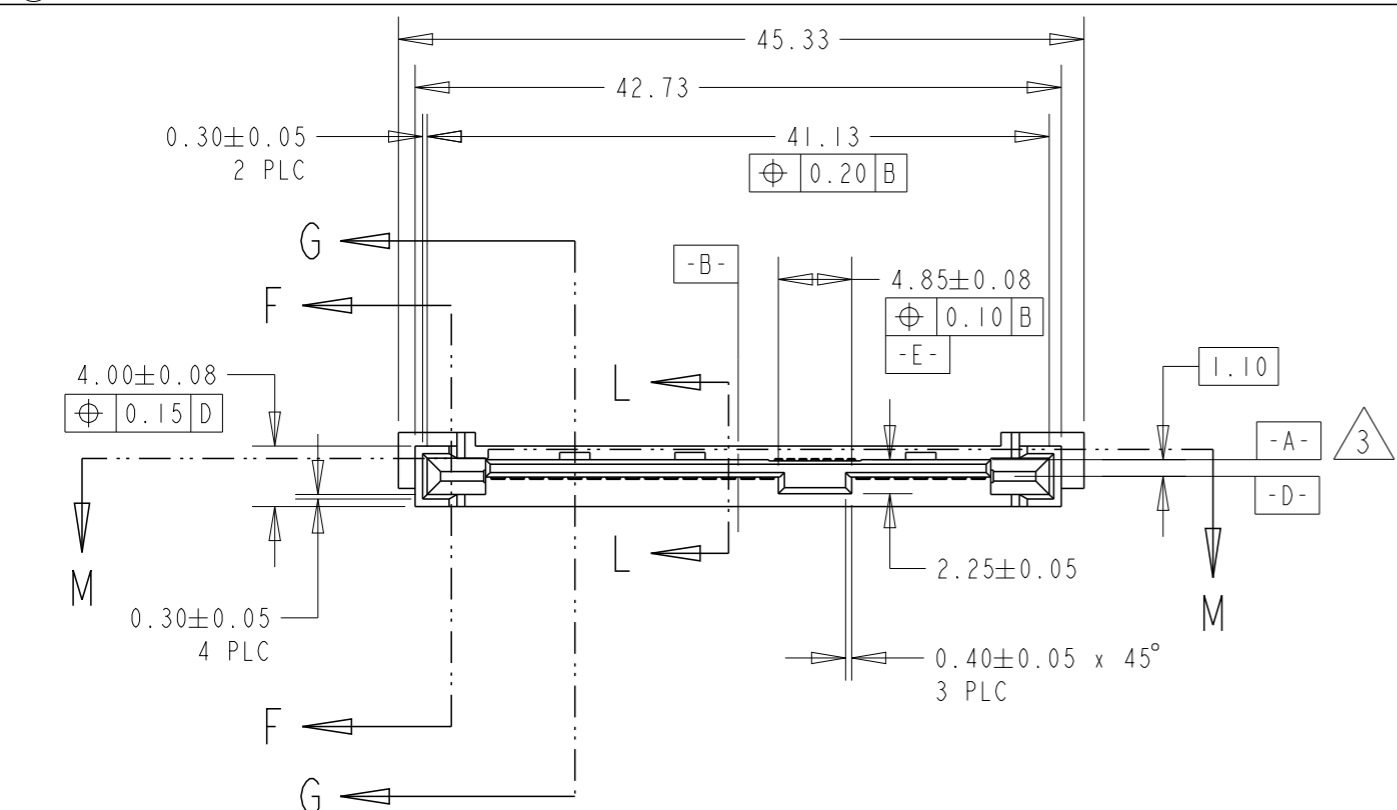
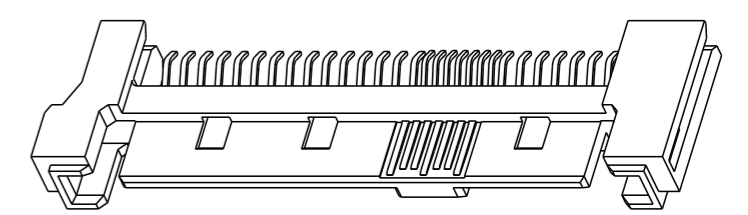


THIS DRAWING IS UNPUBLISHED. RELEASED FOR PUBLICATION 20
 © COPYRIGHT 20 BY - ALL RIGHTS RESERVED.

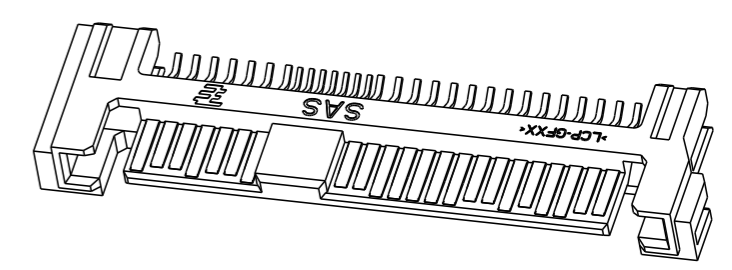
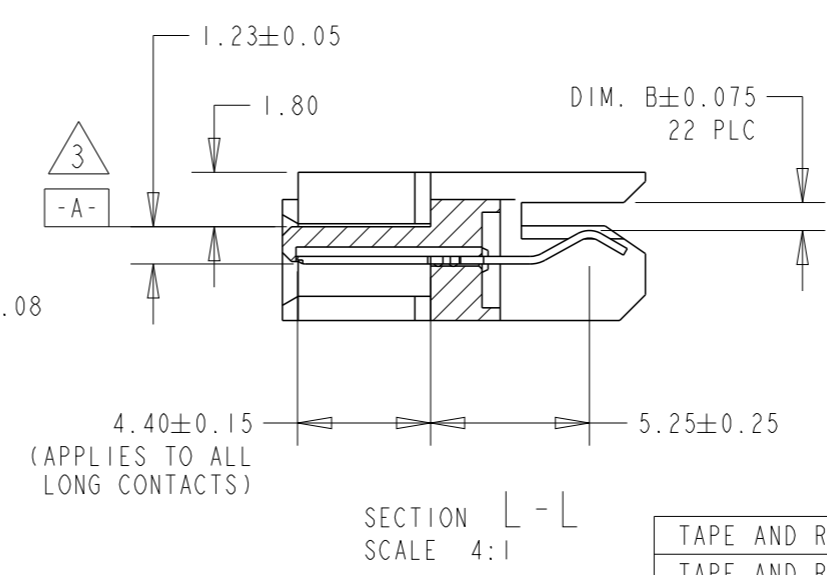
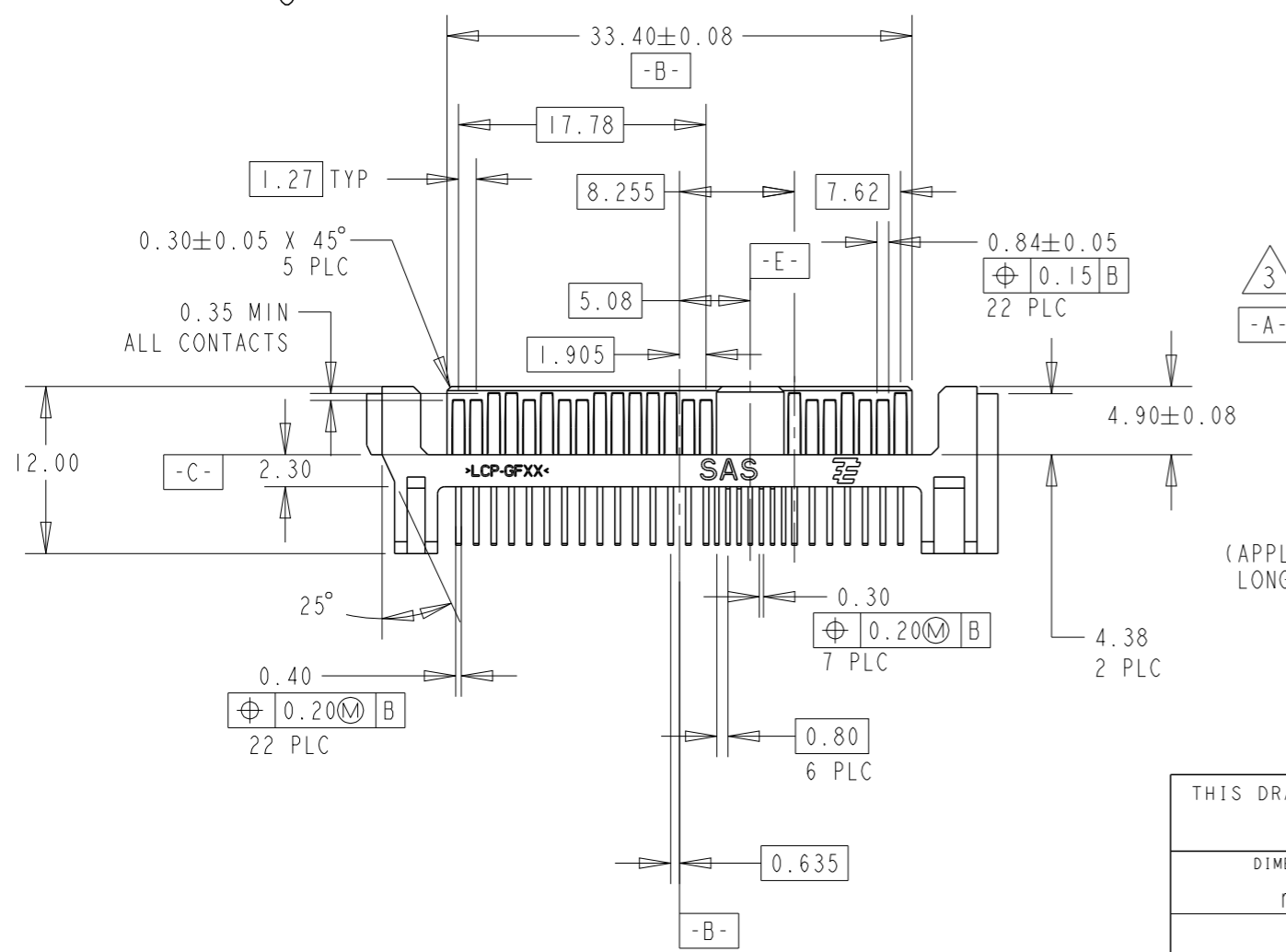
REVISIONS					
P	LTR	DESCRIPTION	DATE	DWN	APVD
C2		REVISED PER ECR-15-009763	30JUN2015	S.W	W.H



NOTES:
 1 MATERIAL
 HOUSING: HIGH TEMPERATURE THERMOPLASTICS,
 GLASS FILLED, BLACK, UL94V-0,
 REGRIND 25% MAXIMUM
 CONTACT: COPPER ALLOY
 2 FINISH
 0.76um MINIMUM GOLD ON MATING AREA AND 1.91um
 MINIMUM MATTE TIN (LEAD-FREE) ON SOLDER AREA,
 BOTH OVER 1.27um MIN NICKEL
 3 -A- IS DEFINED AS TOP SURFACE OF HOUSING



SCALE 2:1



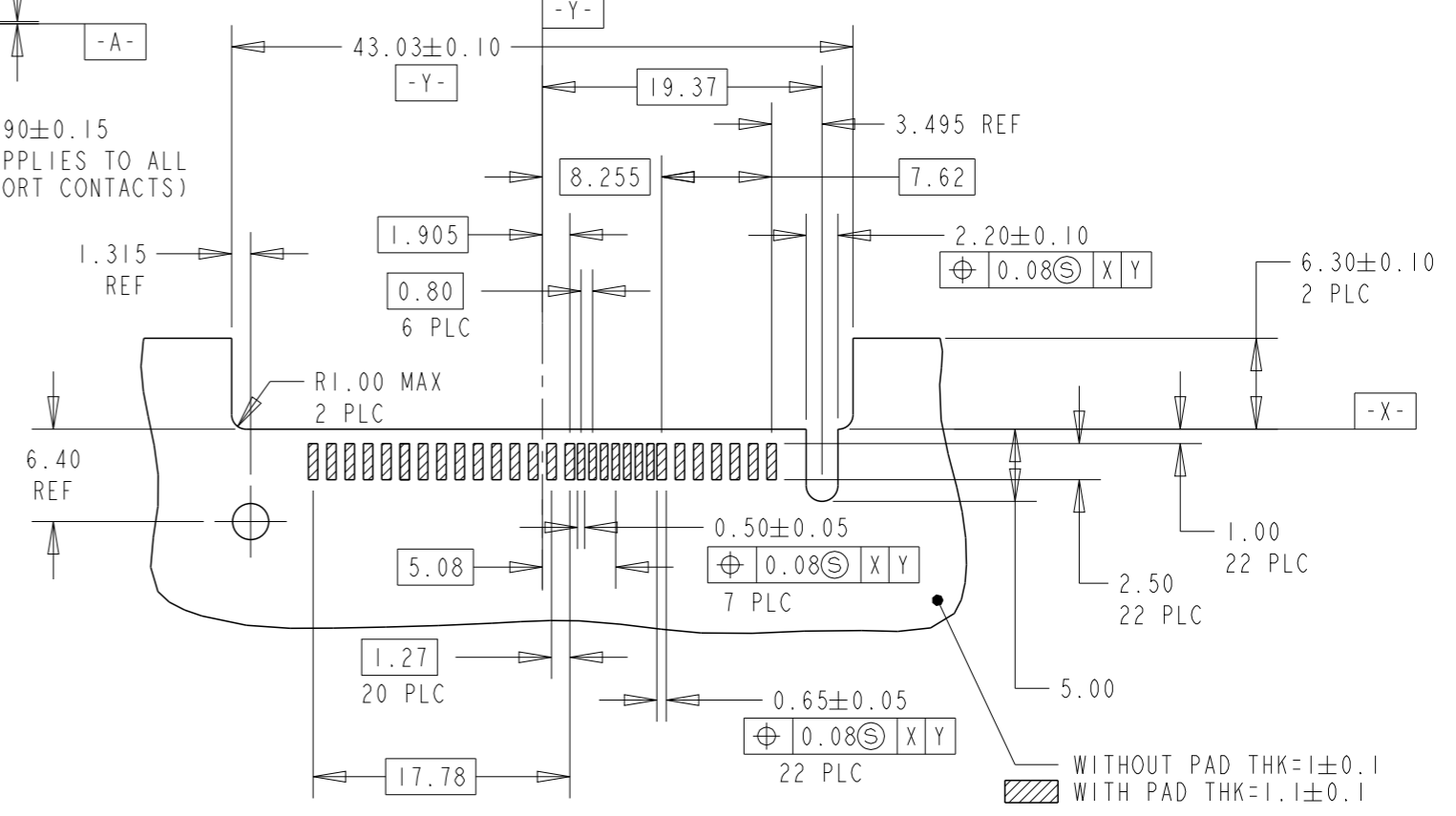
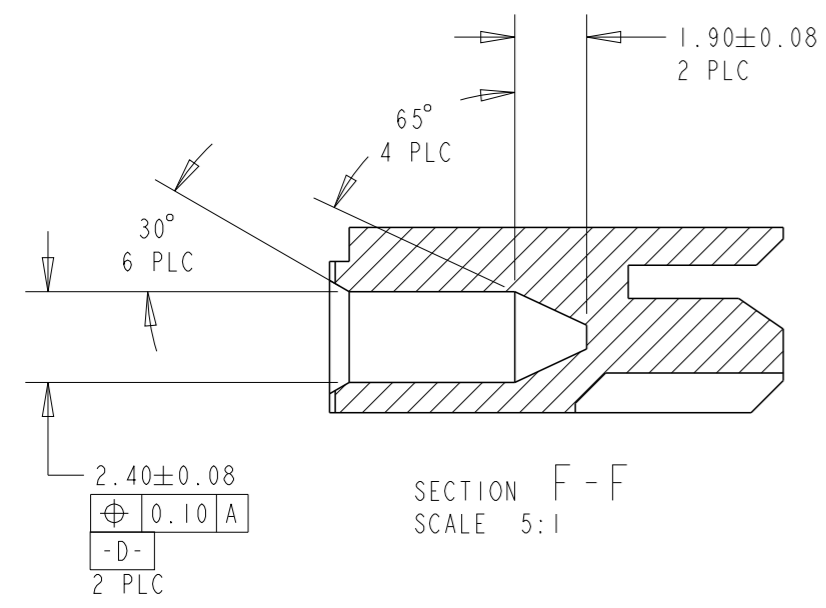
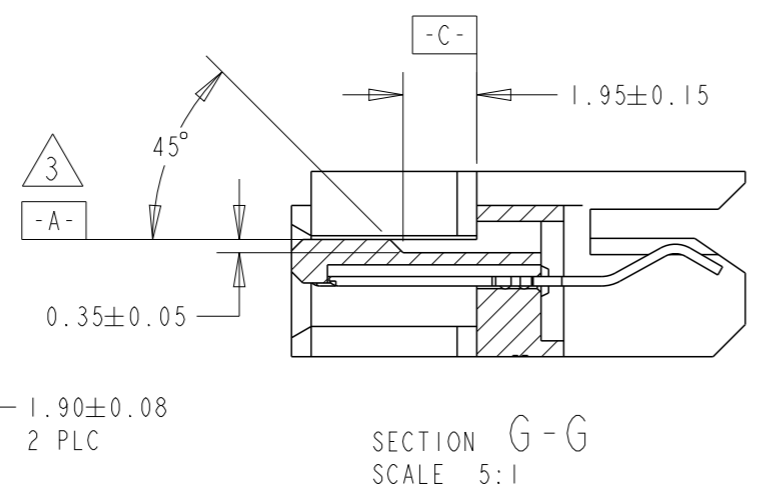
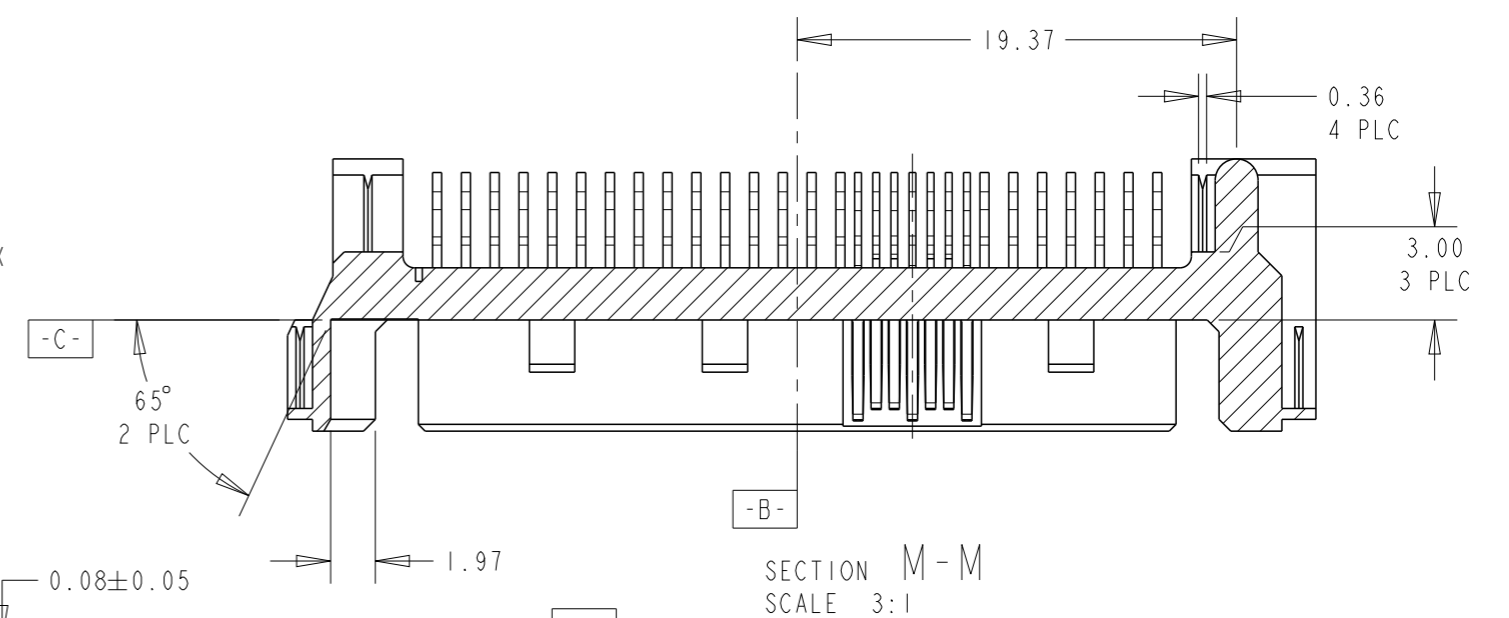
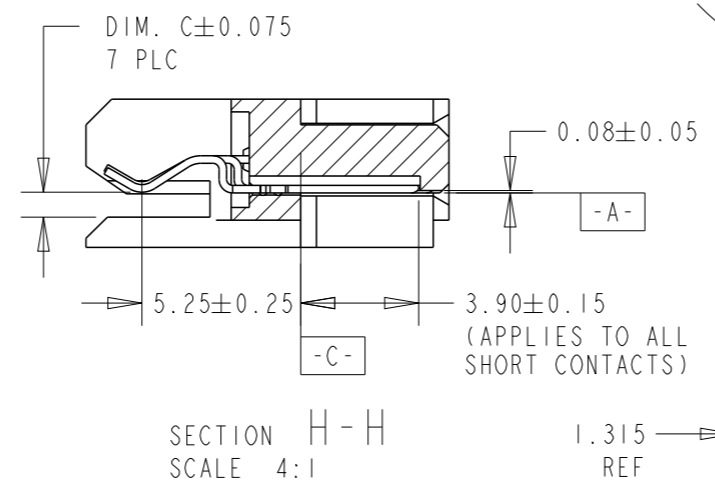
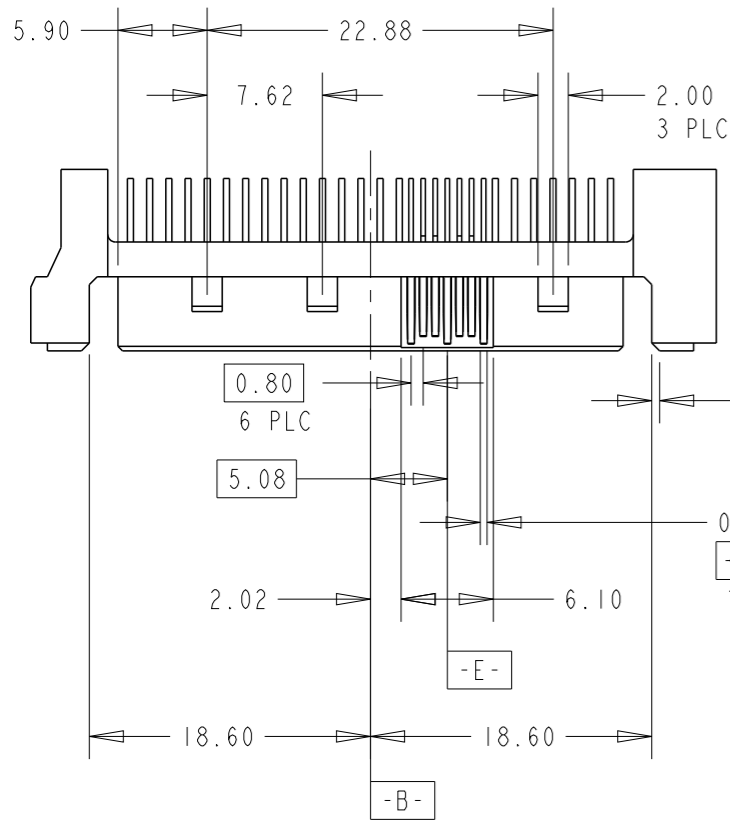
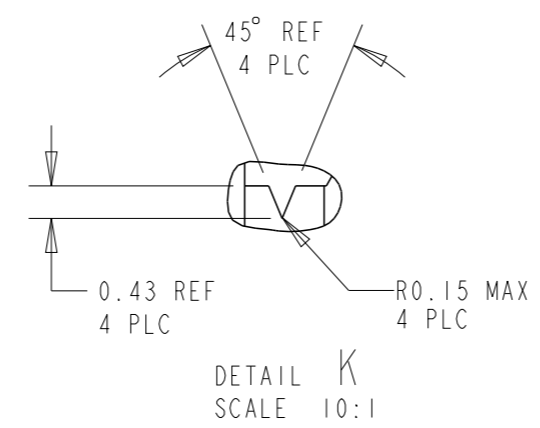
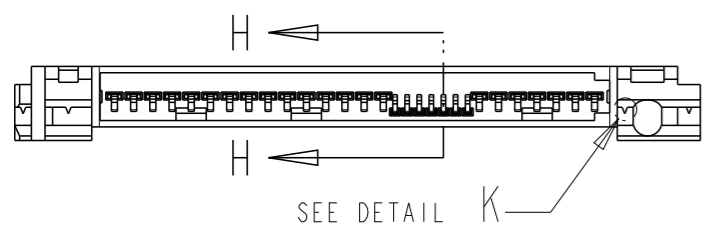
SCALE 2:1


PACKAGING	DIM. C	DIM. B	DIM. A	PART NO.
TAPE AND REEL	0.715	0.815	0.69	1735078-3
TAPE AND REEL	0.825	0.925	0.80	1735078-2
TRAY	0.825	0.925	0.80	1735078-1

THIS DRAWING IS A CONTROLLED DOCUMENT.		DWN	15SEP04	STE TE Connectivity	
DIMENSIONS: mm		CHK	09MAR2015		
TOLERANCES UNLESS OTHERWISE SPECIFIED:		APVD	09MAR2015		
0 PLC ± 1 PLC ± 2 PLC ±0.15 3 PLC ±0.15 4 PLC ± ANGLES ±2°		PRODUCT SPEC	-		
MATERIAL		APVD	SF LEONG	NAME	PLUG, SAS 15+7+7P
1 2		FINISH	2	APPLICATION SPEC	-
1 2		1 2	1 2	WEIGHT	-
CUSTOMER DRAWING		SIZE	A3	CAGE CODE	-
SCALE		DRAWING NO	C-1735078	RESTRICTED TO	-
SCALE		SHEET	1 OF 3	REV	C2

THIS DRAWING IS UNPUBLISHED. RELEASED FOR PUBLICATION 20
 © COPYRIGHT 20 BY - ALL RIGHTS RESERVED.

REVISIONS					
P	LTR	DESCRIPTION	DATE	DWN	APVD
		SEE SHEET 1			



THIS DRAWING IS A CONTROLLED DOCUMENT.		DWN WYLEE 15SEP04		 TE Connectivity	
DIMENSIONS: mm		CHK AP TAY 09MAR2015			
TOLERANCES UNLESS OTHERWISE SPECIFIED:		APVD SF LEONG 09MAR2015		NAME PLUG, SAS 15+7+7P	
0 PLC ±-		PRODUCT SPEC -		SIZE A3	
1 PLC ±-		APPLICATION SPEC -		CAGE CODE -	
2 PLC ±0.15		WEIGHT -		DRAWING NO C-1735078	
3 PLC ±0.15		CUSTOMER DRAWING		RESTRICTED TO -	
4 PLC ±-		SCALE 2:1		SHEET 2 OF 3	
ANGLES ±2°		REV C2			
FINISH					
MATERIAL 1					

4

3

2

1

THIS DRAWING IS UNPUBLISHED.

RELEASED FOR PUBLICATION

20

REVISIONS

© COPYRIGHT 20 BY -

ALL RIGHTS RESERVED.

P	LTR	DESCRIPTION	DATE	DWN	APVD
		SEE SHEET 1			

Dimensions and features:



- Top view dimensions: 20 ± 0.20 , 4 ± 0.10 , 2 ± 0.20 , 5.70 ± 0.30 , 0.5 ± 0.05 , 45.73 ± 0.30 , 68.4 ± 0.15 , 72 ± 0.30 , 12.30 ± 0.30 , 13.50 ± 0.30
- Side view dimensions: 47.6 ± 0.30
- Internal features: $\phi 1.50^{+0.10}_0$, $\phi 2.00$
- Labels: SAS, USER DIRECTION (indicated by an arrow pointing right)

NOTE:

- PACKAGING QUANTITY: 800 PCS PER REEL.
- REEL: $\phi 380$ mm-100 mm HUB.
- GENERAL TOLERANCE: ± 0.5 , $\pm 3^\circ$.

DETAIL N
SCALE 8:1

Dimensions: $\phi 1.50^{+0.10}_0$, 0.20

THIS DRAWING IS A CONTROLLED DOCUMENT.		DWN WYLEE	15SEP04	 TE Connectivity	
DIMENSIONS: mm		CHK AP TAY	09MAR2015		
TOLERANCES UNLESS OTHERWISE SPECIFIED:		APVD SF LEONG	09MAR2015	NAME PLUG, SAS 15+7+7P	
 0 PLC \pm 1 PLC \pm 2 PLC ± 0.15 3 PLC ± 0.15 4 PLC \pm ANGLES $\pm 2^\circ$		PRODUCT SPEC -		APPLICATION SPEC -	
MATERIAL -		FINISH -		SIZE A3	CAGE CODE -
		WEIGHT -		DRAWING NO C-1735078	RESTRICTED TO -
CUSTOMER DRAWING				SCALE 3:2	SHEET 3 OF 3
				REV C2	

1470-19 (3/13)

Mouser Electronics

Authorized Distributor

Click to View Pricing, Inventory, Delivery & Lifecycle Information:

[TE Connectivity:](#)

[1735078-1](#)