

THIS DRAWING IS UNPUBLISHED.

RELEASED FOR PUBLICATION

, 19

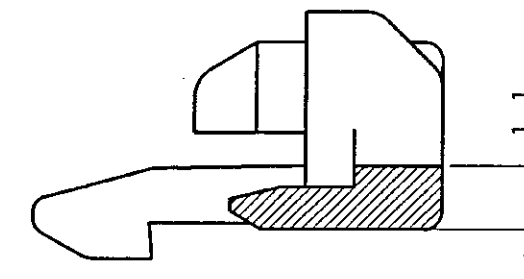
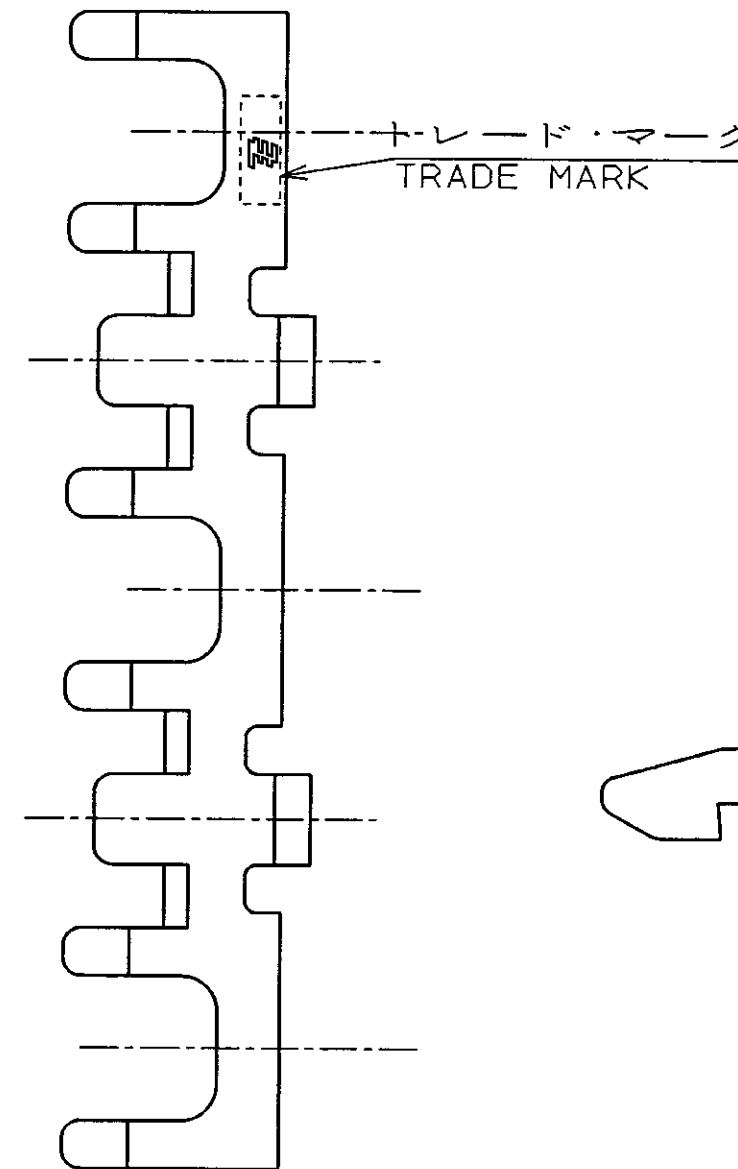
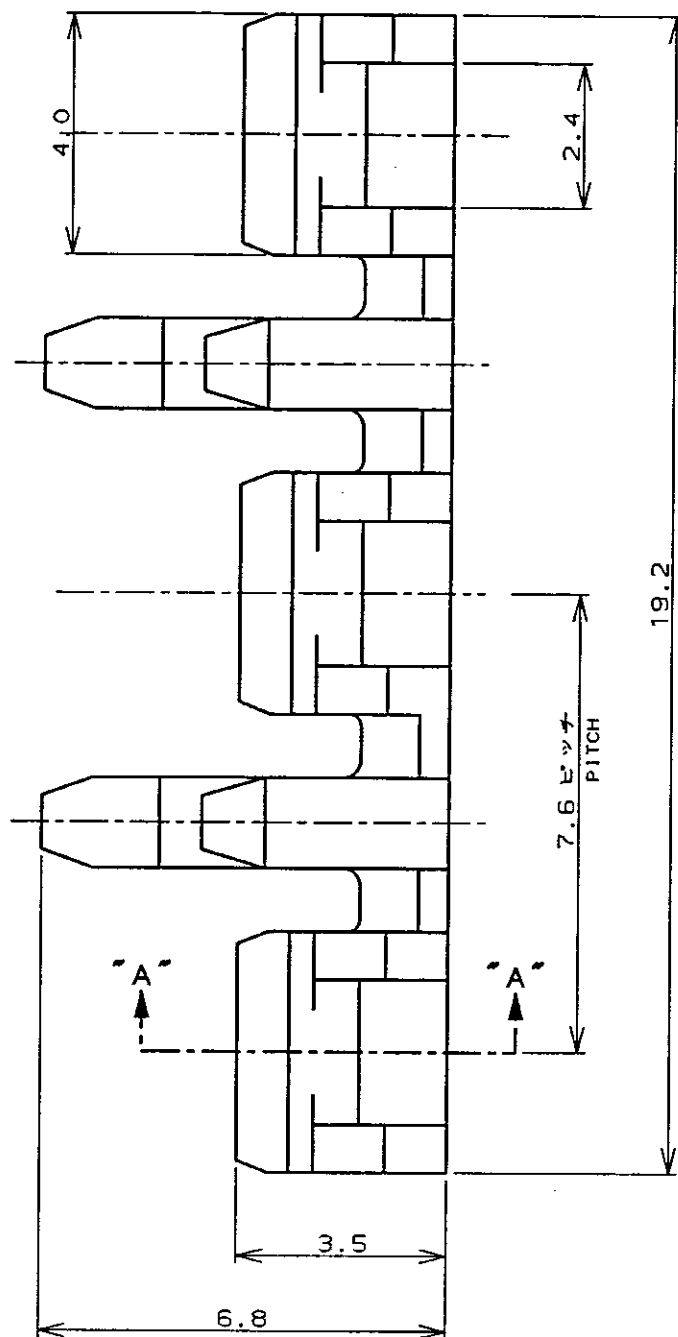
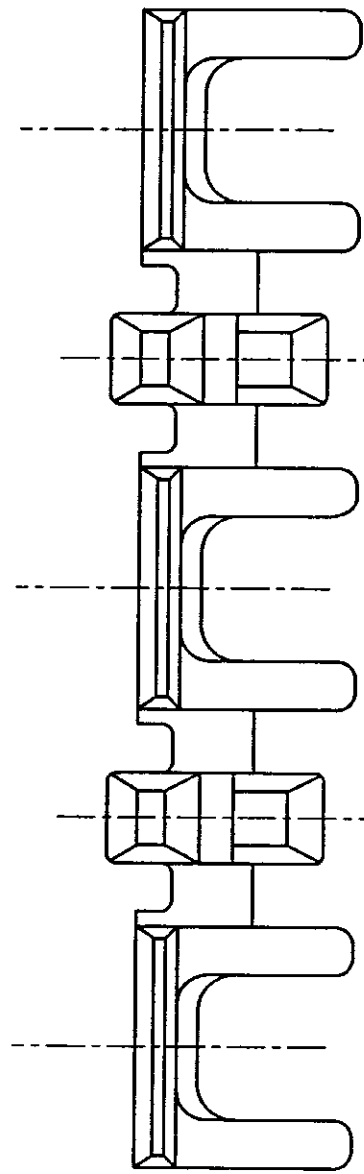
© COPYRIGHT 19

BY AMP INCORPORATED. ALL RIGHTS RESERVED.

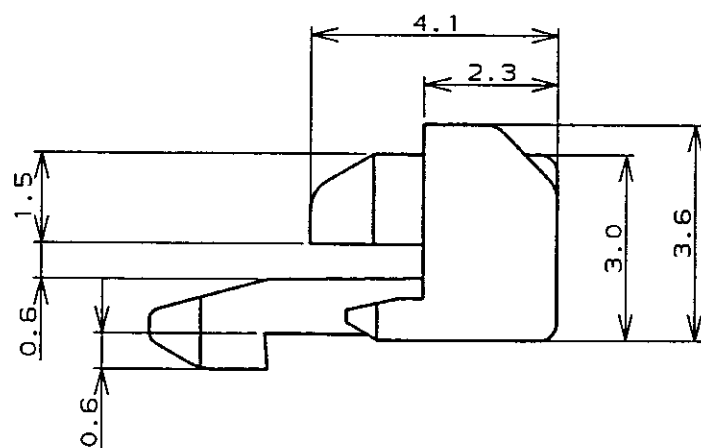
LOC DIST

REVISIONS

P	LTR	DESCRIPTION	DATE	DWN	APVD
B		REVISED PER ECR-10-022737	12NOV10	HMR	TM



断面 "A"- "A"
SECT.



THIS DRAWING IS A CONTROLLED DOCUMENT FOR AMP INCORPORATED. IT IS SUBJECT TO CHANGE AND THE CONTROLLING ENGINEERING ORGANIZATION SHOULD BE CONTACTED FOR THE LATEST REVISION.

DIMENSIONS: 単位・経 mm		TOLERANCES UNLESS OTHERWISE SPECIFIED 一般公差 10% ±0.2 30% ±0.25 100% ±0.3 ANGLE: ±0.3°	
MATERIAL 材料 6/6ナイロン ガラス強化 6/6 NYLON GF (UL94V-0)		FINISH 仕上 //	

OWN	M. SUZUKI	23.AUG.'96
CHK	Y. KASHIWA	23.AUG.'96
APVD	H. TAGUCHI	26.AUG.'96
PRODUCT SPEC	製品規格	108-5530
APPLICATION SPEC	取付適用規格	114-5229
WEIGHT	//	
CUSTOMER DRAWING		

WIRE RANGE 適合電線断面積		INSULATION DIA 被覆外径	
Tyco Electronics		Kawasaki, Japan	
NAME 名称 110 シリーズ ポジティブ ロック EX-III ダブル ロック プレート 3極 110 SERIES POSITIVE LOCK EX-III LOCK PLATE 3Pos			
SIZE	CAGE CODE	DRAWING NO	
A3	00779	C-353256	
SCALE 尺度 1:8		SHEET 1 OF 1 REV B	

自然色 (NATURAL)	353256-1
色調 (COLOR)	型番 (P/N)

参考図面

Mouser Electronics

Authorized Distributor

Click to View Pricing, Inventory, Delivery & Lifecycle Information:

[TE Connectivity:](#)

[353256-1](#)