

BUD

PART NAME

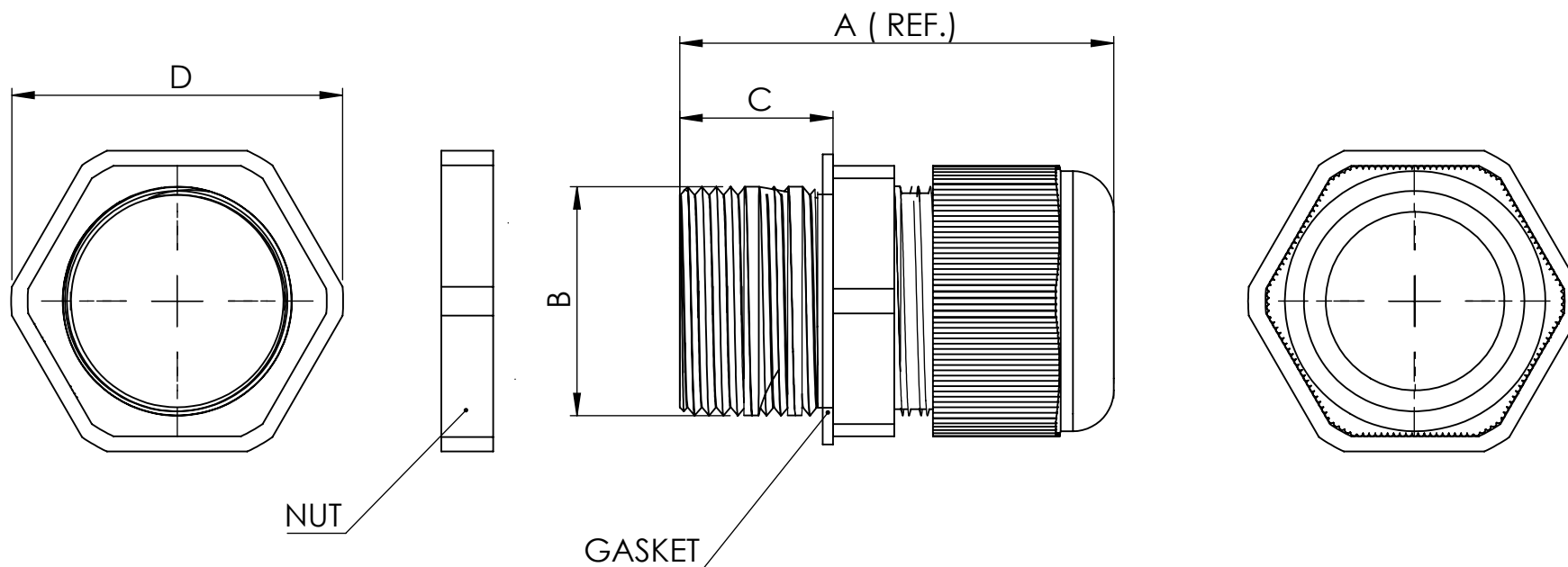
IPG SERIES - NYLON CABLE GLAND
LONG THREAD IP66

PART No.

IPG-22274-G THROUGH
IPG-222164-G

REV. DATE

3/24/15



NOTES:

- 1- IP66 NYLON CABLE GLAND
- 2- COLOR - LIGHT GRAY
- 3- DIMENSIONS ARE INCH[MM]
- 4- GASKET MATERIAL: NITRILE RUBBER
- 5- TOLERANCE ALL DIMENSIONS = +/- 0.01[.25]

PART NUMBER	SIZE	WIRE DIA.	DIM A	DIM B	DIM C	DIM D
IPG-22274-G	PG-7	0.12[3] - 0.24[6]	1.50[38.1]	0.47[11.9]	0.59[15]	0.76[19.3]
IPG-22294-G	PG-9	0.16[4] - 0.31[7.9]	1.61[40.9]	0.63[16]	0.59[15]	0.95[24.1]
IPG-222114-G	PG-11	0.2[5] - 0.39[9.9]	1.65[41.9]	0.71[18]	0.59[15]	1.04[26.4]
IPG-2221354-G	PG-13.5	0.24[6.1] - 0.47[11.9]	1.71[43.4]	0.79[20]	0.59[15]	1.14[28.9]
IPG-222164-G	PG-16	0.39[9.9] - 0.55[14]	1.78[45.2]	0.87[22.1]	0.59[15]	1.28[32.5]

Mouser Electronics

Authorized Distributor

Click to View Pricing, Inventory, Delivery & Lifecycle Information:

Bud Industries:

[IPG-2221354-G](#) [IPG-22294-G](#) [IPG-22274-G](#) [IPG-222164-G](#) [IPG-222114-G](#)