

4

3

2

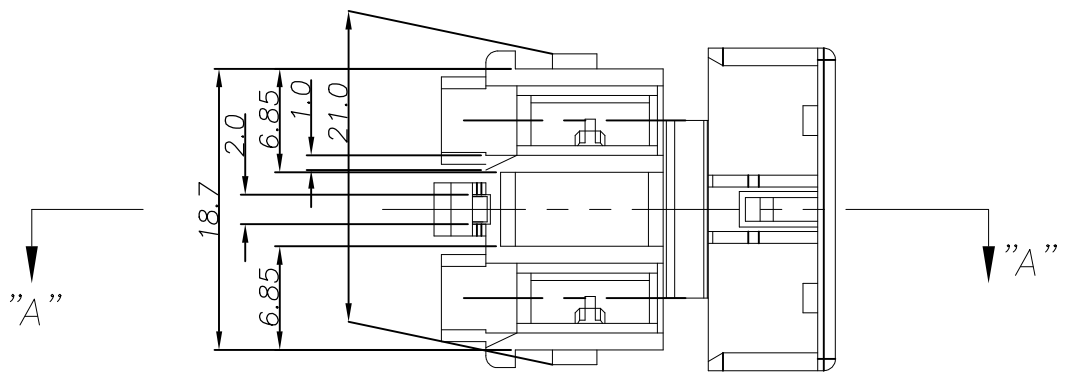
1

THIS DRAWING IS UNPUBLISHED. RELEASED FOR PUBLICATION
© COPYRIGHT BY TYCO ELECTRONICS CORPORATION. ALL RIGHTS RESERVED.

LOC	DIST	REVISIONS			
P	LTR	DESCRIPTION	DATE	DWN	APVD
DS	-	F	REVISED (ECR-18-002235)	FEB. 20'18	BH RP

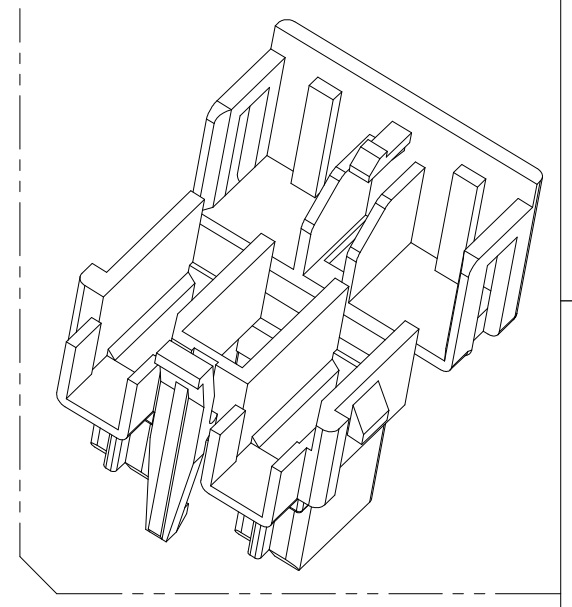
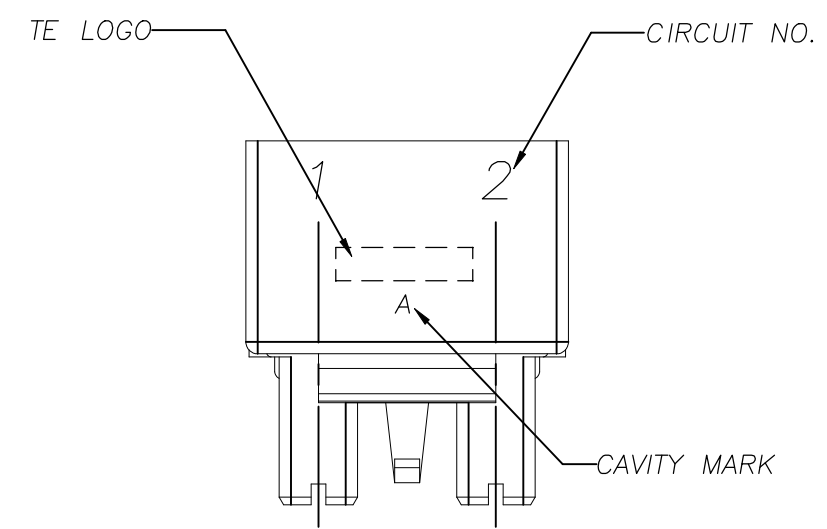
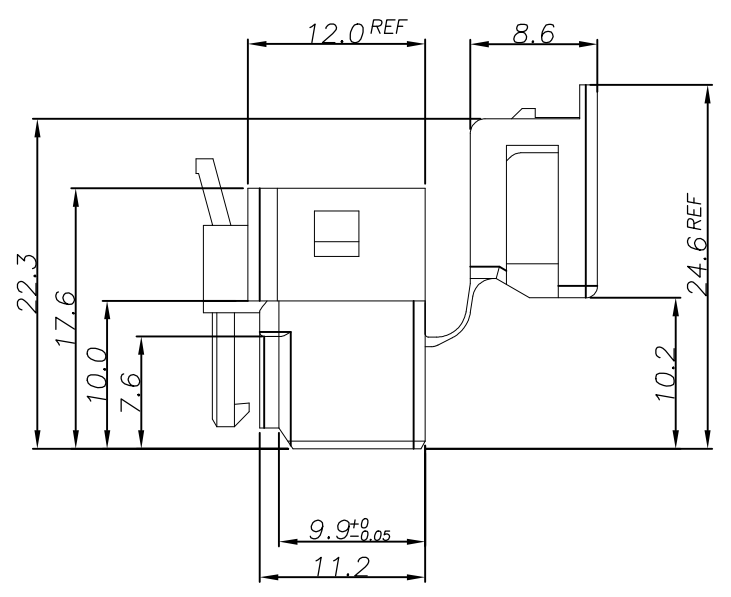
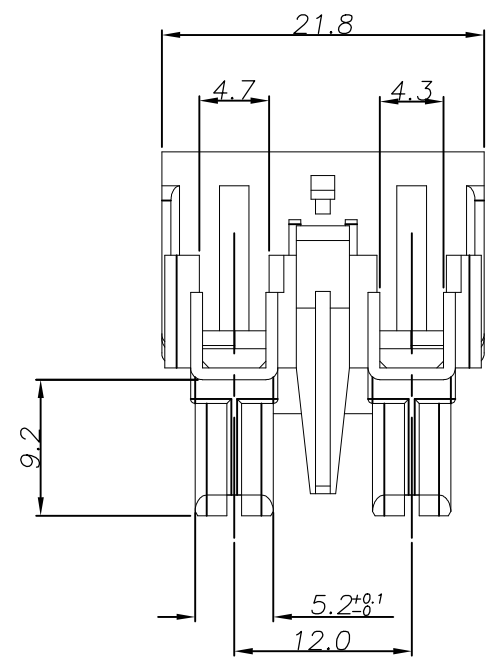
D

D



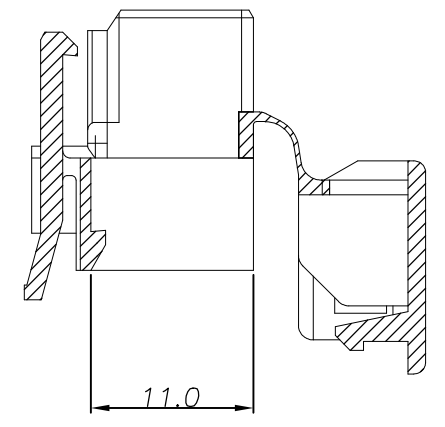
C

C

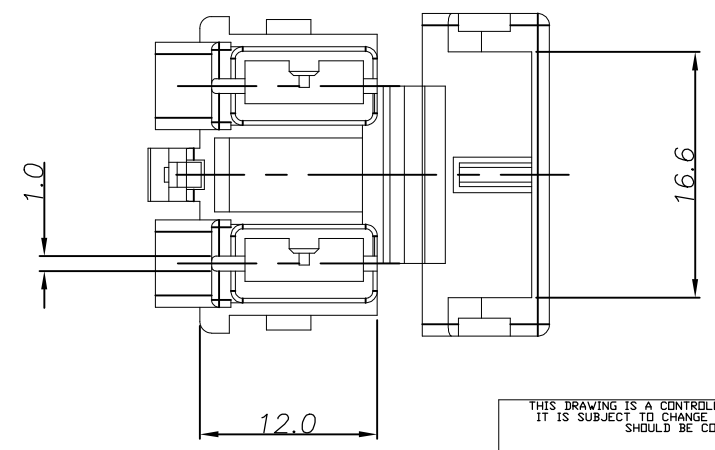


B

B



SECTION "A-A"



NOTES

1. APPLICABLE CONTACT P/N : 1743221-1

1-1743165-8	6/6 NYLON(GWT)	BLUE
1-1743165-5	6/6 NYLON(GWT)	YELLOW
1-1743165-2	6/6 NYLON(GWT)	BLACK
1-1743165-1	6/6 NYLON(GWT)	NATURAL
1743165-8	6/6 NYLON	BLUE
1743165-5	6/6 NYLON	YELLOW
1743165-2	6/6 NYLON	BLACK
1743165-1	6/6 NYLON	NATURAL
P/N	MATERIAL	COLOR

A

A

<small>THIS DRAWING IS A CONTROLLED DOCUMENT FOR TYCO ELECTRONICS CORPORATION IT IS SUBJECT TO CHANGE AND THE CONTROLLING ENGINEERING ORGANIZATION SHOULD BE CONTACTED FOR THE LATEST REVISION.</small>		DWN : BH CHO CHK : - APVD : BW KANG PRODUCT SPEC 108-61065 APPLICATION SPEC - WEIGHT - CUSTOMER DRAWING		Tyco Electronics AMP KOREA, Kyungsan, Korea NAME 250 FLAG P/LOCK-EX (Pitch=12mm) 2P WITH LOCK TYPE SIZE A3 CAGE CODE 00779 DRAWING NO 1743165 RESTRICTED TO -	
DIMENSIONS: MM 	TOLERANCES UNLESS OTHERWISE SPECIFIED: 0 <XX<10 ± 0.2 10<XX<30 ± 0.25 30<XX ± 0.3 ANGLES ± 3°	MATERIAL SEE TABLE		FINISH -	
		SCALE 2/1		SHEET 1 OF 1	
		REV F			

Mouser Electronics

Authorized Distributor

Click to View Pricing, Inventory, Delivery & Lifecycle Information:

[TE Connectivity:](#)

[1743165-2](#)