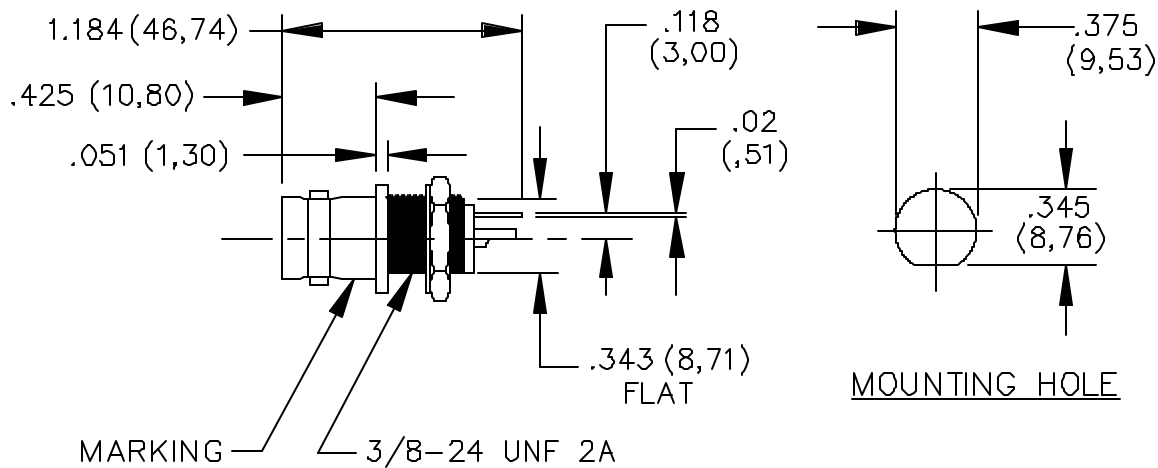


Model 5148 BNC (Female) Bulkhead Receptacle, Isolated Ground



MATERIALS:

Body: Brass, Tarnish Resistant Plating, Center Contact – Gold Plated Beryllium Copper.

Mounting hardware is isolated from outer conductor of BNC, Internal tooth lockwasher, hex nut.

Marking: “Pomona 5148”

RATING:

Nominal Impedance: 50 Ohms

Valox Insulation

ORDERING INFORMATION: Model 5148

All dimensions are in inches. Tolerances (except noted): .xx = ±.02” (.51 mm), .xxx = ±.005” (.127 mm).

All specifications are to the latest revisions. Specifications are subject to change without notice.

Registered trademarks are the property of their respective companies. Made in USA

Mouser Electronics

Authorized Distributor

Click to View Pricing, Inventory, Delivery & Lifecycle Information:

[Pomona:](#)

[5148](#)