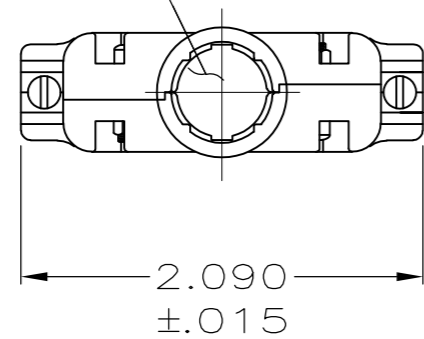


THIS DRAWING IS UNPUBLISHED. RELEASED FOR PUBLICATION
 © COPYRIGHT - By - ALL RIGHTS RESERVED.

LOC	DIST	REVISIONS					
GP	00	P	LTR	DESCRIPTION	DATE	DWN	APVD
		P		REVISED PER ECO-11-004835	11MAR11	RK	HMR

OPENING FOR CABLE
 (SEE DASH NO. FOR DIA.)



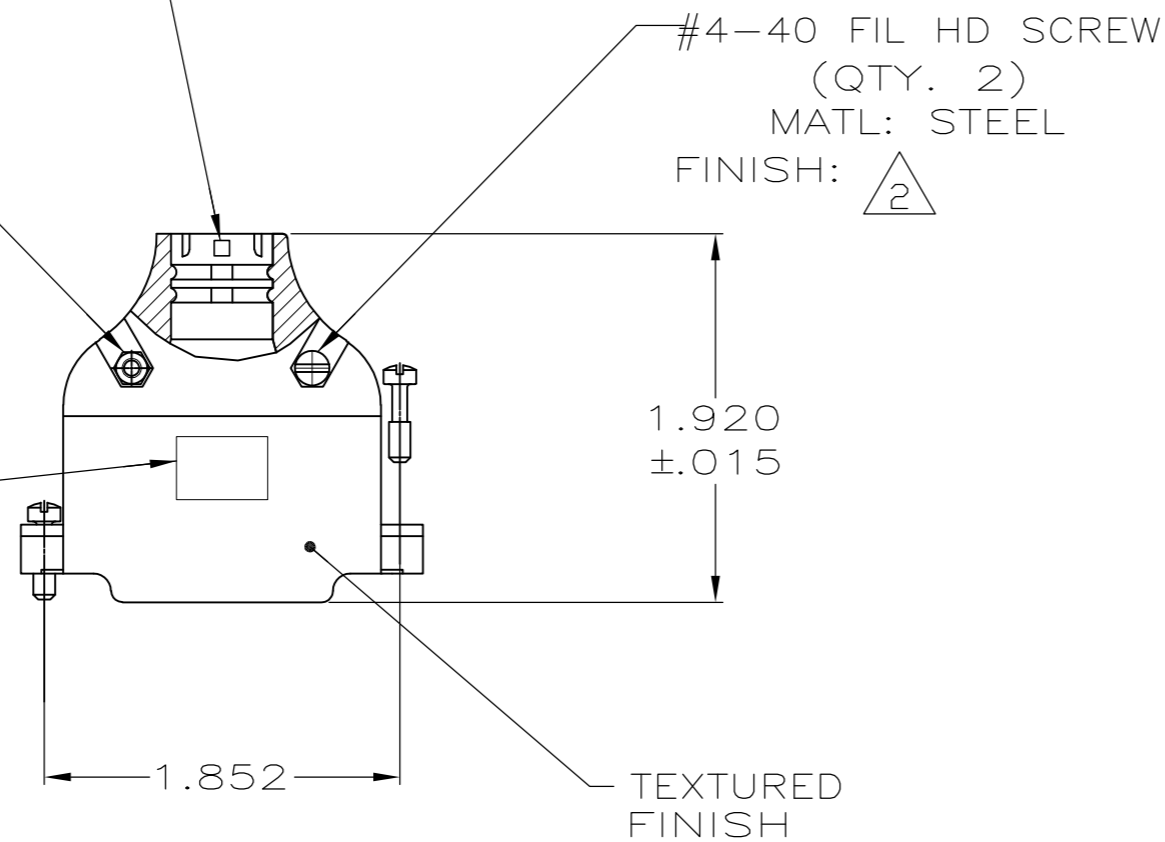
- PARTS PACKAGED UNASSEMBLED, AS A UNIT KIT.
- ZINC PLATED .000200-.000400 THICK, CLEAR CHROMATE COATING.

SIZE IDENTIFICATION LETTER
 MOLDED IN APPROXIMATE AREA
 SHOWN, SEE TABLE

#4-40 HEX NUT
 (QTY. 2)
 MATL: CARBON STEEL
 FINISH: $\triangle 2$

#4-40 FIL HD SCREW
 (QTY. 2)
 MATL: STEEL
 FINISH: $\triangle 2$

AMP LOGO



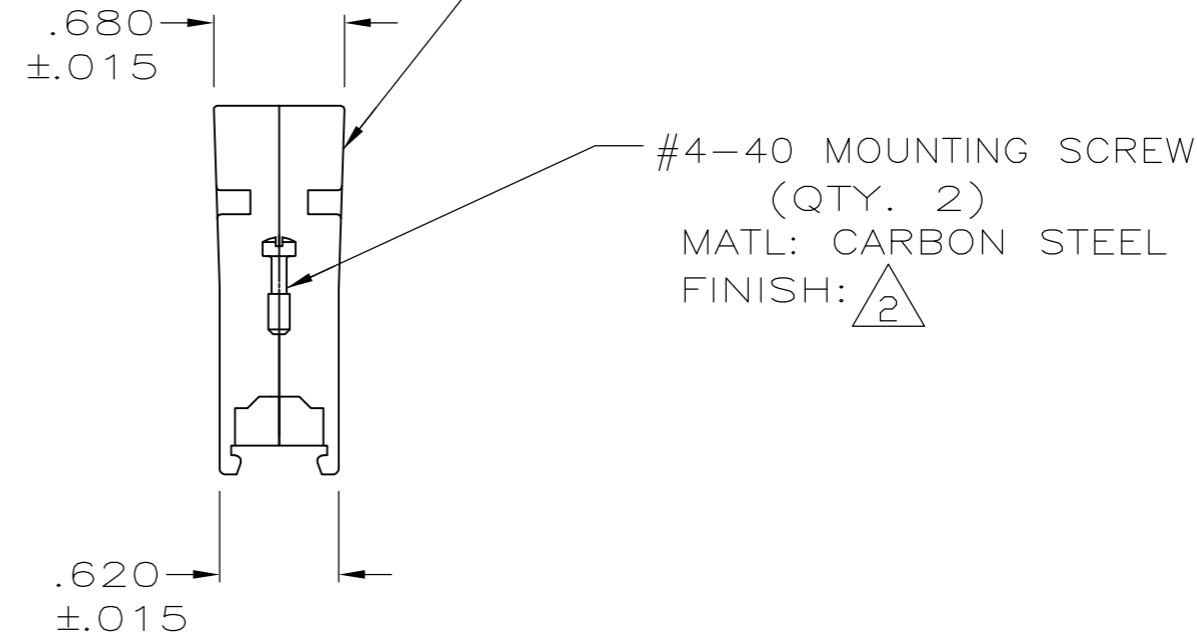
TEXTURED FINISH

CABLE CLAMP HALF
 (QTY. 2)
 MATL: ZINC ALLOY
 FINISH: NICKEL OVER COPPER

.680
 $\pm .015$

#4-40 MOUNTING SCREW
 (QTY. 2)
 MATL: CARBON STEEL
 FINISH: $\triangle 2$

.620
 $\pm .015$



D	.280	5745173-5
G	.350	5745173-4
K	.430	5745173-3
M	.480	5745173-2
P	.530	5745173-1
NECK SIZE IDENT	MAX CABLE DIA	PART NUMBER

THIS DRAWING IS A CONTROLLED DOCUMENT.		DWN	B. MCMASTER	12AUG05		TE Connectivity																				
DIMENSIONS: INCHES		CHK	C. ROHDE	12AUG05		NAME																				
TOLERANCES UNLESS OTHERWISE SPECIFIED:		APVD	M. WALMSLEY	12AUG05		CABLE CLAMP KIT, SIZE 3, 180 DEGREE, AMPLIMITE																				
<table border="1"> <tr><td>0 PLC</td><td>±</td><td>-</td></tr> <tr><td>1 PLC</td><td>±</td><td>-</td></tr> <tr><td>2 PLC</td><td>±</td><td>-</td></tr> <tr><td>3 PLC</td><td>±</td><td>.005</td></tr> <tr><td>4 PLC</td><td>±</td><td>-</td></tr> <tr><td>ANGLES</td><td>±</td><td>-</td></tr> </table>		0 PLC	±	-		1 PLC	±	-	2 PLC	±	-	3 PLC	±	.005	4 PLC	±	-	ANGLES	±	-	PRODUCT SPEC	-		SIZE	CAGE CODE	DRAWING NO
0 PLC	±	-																								
1 PLC	±	-																								
2 PLC	±	-																								
3 PLC	±	.005																								
4 PLC	±	-																								
ANGLES	±	-																								
MATERIAL SEE CALLOUTS		FINISH	SEE CALLOUTS		WEIGHT	-	A2 00779	C=5745173	-																	
		CUSTOMER DRAWING		SCALE	1:1	SHEET	1 of 1	REV	P																	

Mouser Electronics

Authorized Distributor

Click to View Pricing, Inventory, Delivery & Lifecycle Information:

[TE Connectivity:](#)

[5745173-3](#)