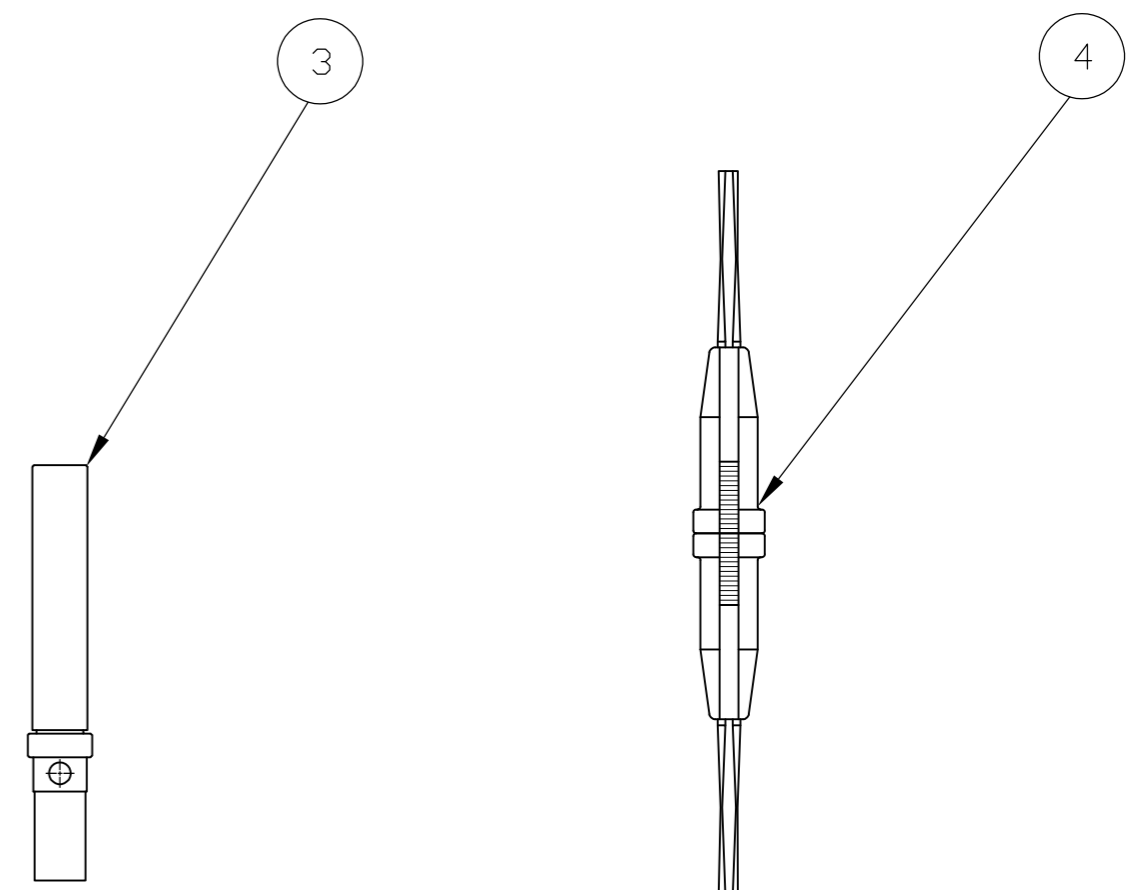
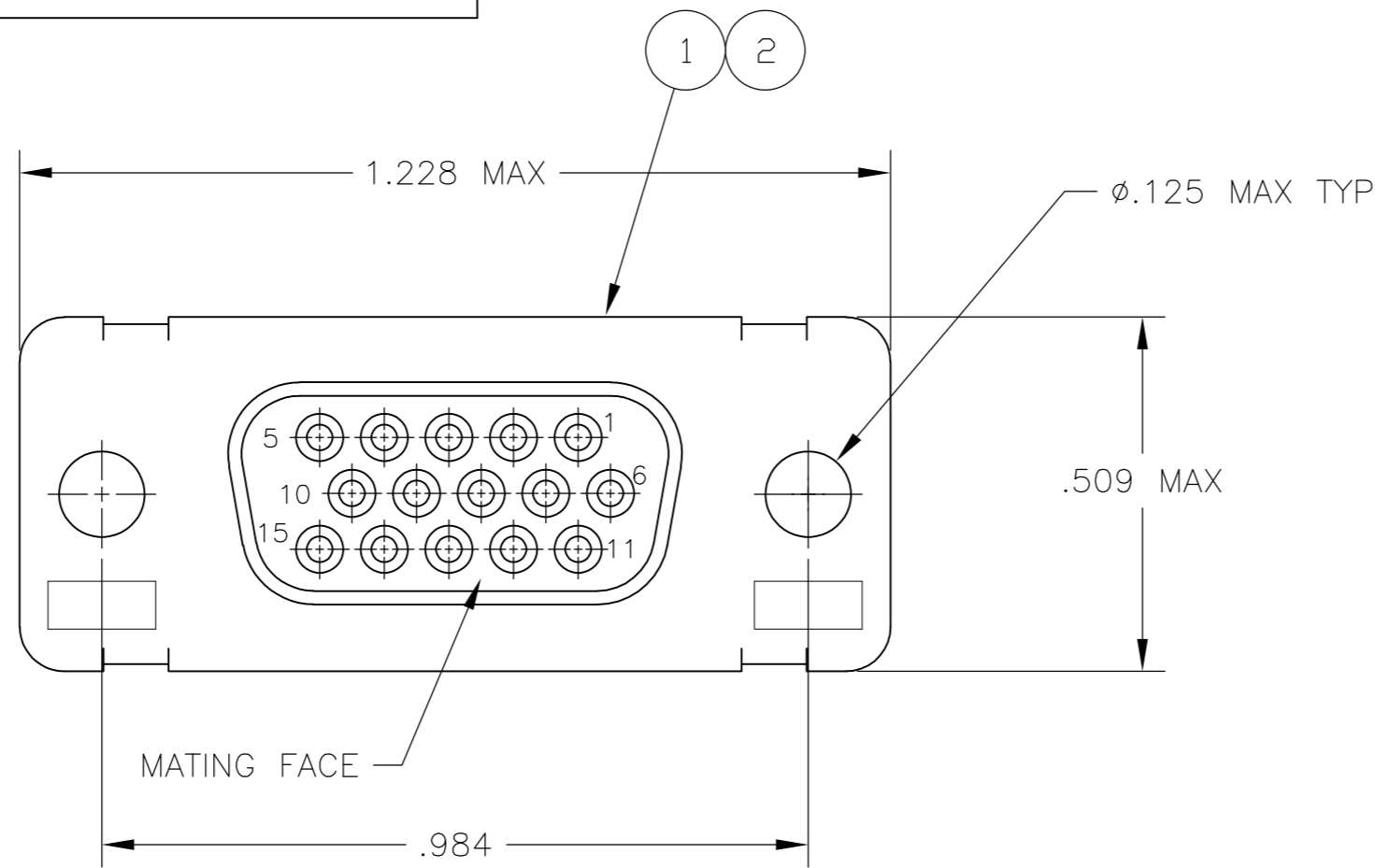
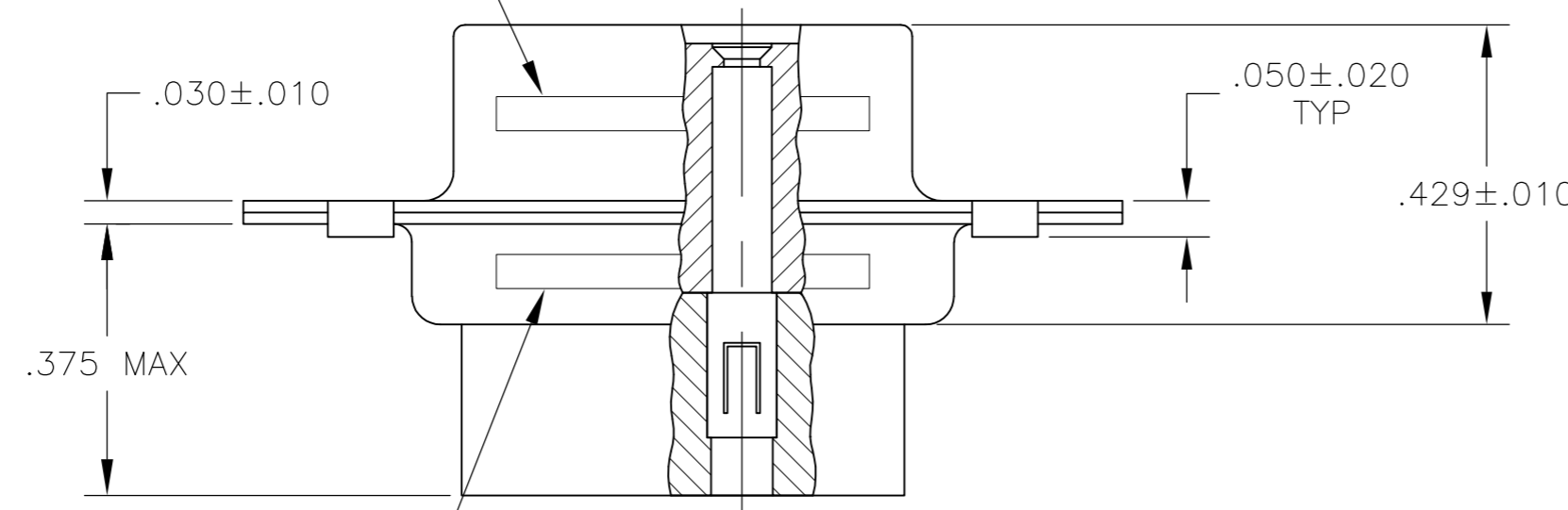


THIS DRAWING IS UNPUBLISHED. RELEASED FOR PUBLICATION
 © COPYRIGHT - By - ALL RIGHTS RESERVED.

LOC	DIST	REVISIONS					
DF	D5	P	LTR	DESCRIPTION	DATE	DWN	APVD
		G1		REVISED PER ECO-11-005030	11MAR11	RK	HMR



MARK TE & DATE CODE
 PER 115-10002-2
 NEAR SIDE



MARK MILITARY PART NO.
 FAR SIDE PER 115-10002-2
 MARK TE PART NO, NEAR SIDE
 SEE TABLE

	OBSOLETE	M24308/6-17F	M24308/6-11F	91067-1	204351-1	204500-2	-	204512-6
	SUPERSEDED BY 206497-4 & (15) 206071-1	M24308/6-11F	M24308/6-11F	-	204351-1	204500-2	-	204512-5
	SUPERSEDED BY 206497-4 & 91067-1	-	M24308/6-11F	91067-1	-	204500-2	-	204512-4
		M24308/2-17F	M24308/2-11F	91067-1	204351-1	-	204500-1	204512-3
		M24308/2-11F	M24308/2-11F	-	204351-1	-	204500-1	204512-2
		-	M24308/2-11F	91067-1	-	-	204500-1	204512-1
	MILITARY P/N ON PACKAGE	MILITARY P/N ON CONNECTOR	(4) INSERT/EXTRACT TOOL QTY = 1	(3) SOCKET CONTACT QTY = 15	(2) RECEPTACLE ASSY QTY = 1	(1) RECEPTACLE ASSY QTY = 1	PART NUMBER	

THIS DRAWING IS A CONTROLLED DOCUMENT.

DWN	P. YEAGER	15DEC08
CHK	R. LEASE	16DEC08
APVD	R. LEASE	16DEC08

TE Connectivity

AMPLIMITE KIT, HDD SERIES
 RECEPTACLE, SIZE 1, 15 POSITION

SIZE	CAGE CODE	DRAWING NO	RESTRICTED TO
A2	00779	C-204512	-

CUSTOMER DRAWING SCALE 4:1 SHEET 1 OF 1 REV G1

Mouser Electronics

Authorized Distributor

Click to View Pricing, Inventory, Delivery & Lifecycle Information:

[TE Connectivity:](#)

[M24308/2-11F](#)