

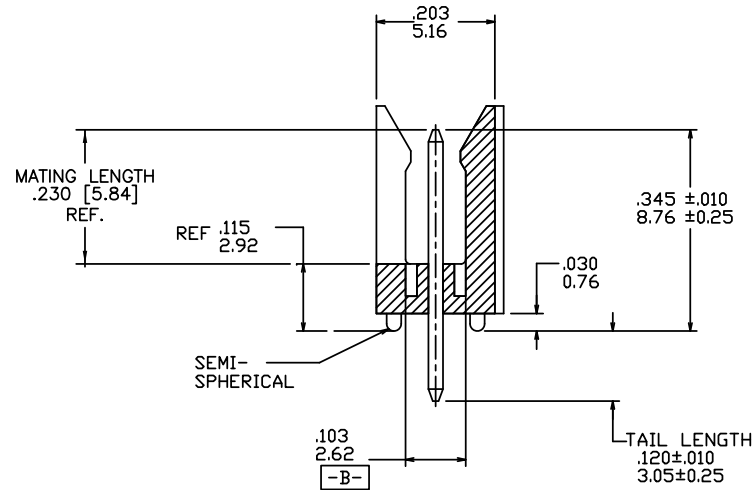
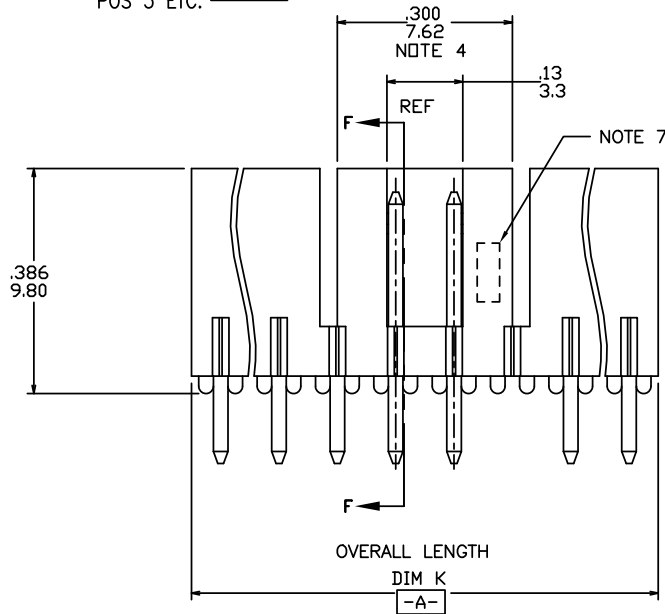
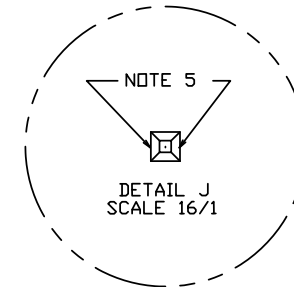
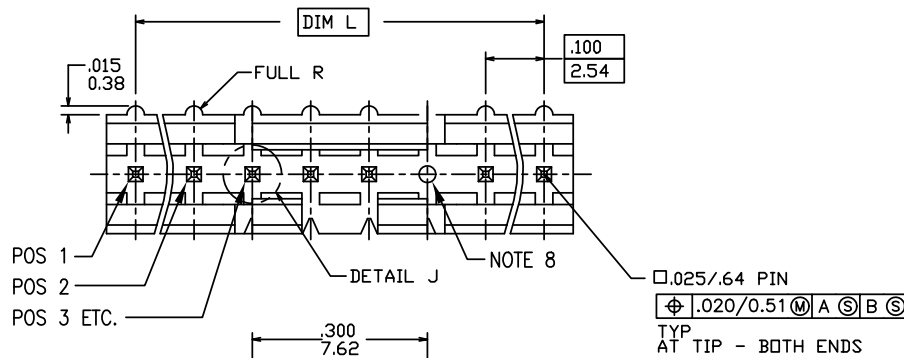
PRODUCT NO.  
87800-XYHLF

LEAD FREE OPTION  
NOTE 8, 9, 10

SEE TABLE

PIN PLATING

BASE PART  
NUMBER



mat'l. code		surface ISD 1302 ✓		tolerance ISD 406 ISD 1101		projection ASME Y14.5		product family HEADER	
ltr ecn nldr date		tolerances unless otherwise specified		title					
M	6X-N-011927	JZ	2012-05-31	angles	linear	XXX±.01/XXX±.03	INCH/MM		FRICION LATCH HDR
G	V50628	SAR	6/30/95	0°±2'		XXX±.005/XXX±.013	scale 1:1		POLARIZED, SINGLE ROW VERT.
H	V71187	HTB	9/4/97	dr	S.ROYER	6/28/94			dwg no
J	M05-0134	ERE	06/15/05	engr	L.FYE	6/28/94			sheet of 2
K	M06-0256	MHT	9/07/06	chr	J.MURPHY	6/28/94			size
L	M08-0291	MHT	10/08/08	appd	L.FYE	6/28/94			A3
sheet		revision		M		M		type Product Customer Drawing	
index	sheet	1	2						

PRODUCT NUMBER	NO OF POS	DIM K OVERALL LENGTH	DIM L	POLARIZED POSITION
87800-X01	1 X 3	.300/ 7.62	.200/ 5.08	3
-X02	1 X 4	.400/10.16	.300/ 7.62	3
-X03	1 X 5	.500/12.70	.400/10.16	4
-X04	1 X 6	.600/15.24	.500/12.70	5
-X05	1 X 7	.700/17.78	.600/15.24	6
-X06	1 X 8	.800/20.32	.700/17.78	7
-X07	1 X 9	.900/22.86	.800/20.32	8
-X08	1 X 12	1.200/30.48	1.100/27.94	11
-X09	1 X 13	1.300/33.02	1.200/30.48	12
-X10	1 X 8	.800/20.32	.700/17.78	6
-X11	1 X 4	.400/10.16	.300/ 7.62	1
-X12	1 X 4	.400/10.16	.300/ 7.62	2 & 3
87800-X13	1 X 4	.400/10.16	.300/ 7.62	2

NOTES:

1. MOLDING MAT'L: GLASS REINFORCED PCT OR MINERAL FILLED LCP COLOR: BLACK  
FLAME RETARDANT PER UL 94V-0  
MAXIMUM OPERATING TEMPERATURE: 130° C
2. PIN MATERIAL: 3/4 HD PHOS. BRZ.
3. NO SLOTS ON 2 X 5 POSITION OR SMALLER PRODUCT. THE CENTER KEY SLOT WILL BE ON ALL HEADERS REGARDLESS OF SIZE.
4. TWO NON-CRITICAL SIDES OF PIN TIP NOT PLATED, BOTH ENDS.
5. POSITION NUMBERS NOT SHOWN ON PART.
6. COMPANY LOGO MAY APPEAR IN THIS AREA.
7. PINS OMITTED FROM INDICATED POSITIONS FOR POLARIZATION (SEE TABLE).
8. ADD "HLF" SUFFIX AT THE END OF PART NUMBER FOR LEAD FREE OPTION, NOT AVAILABLE FOR -5YY, -5YYH, -6YY & -6YYH.
9. PART NUMBERS WITH "H" SUFFIX WILL WITHSTAND EXPOSURE TO 260°C PEAK TEMPERATURE FOR 20 SECONDS IN WAVE SOLDER, INFRA-RED OR VAPOR PHASE SOLDER PROCESS.  
  
PART NUMBERS WITHOUT "H" SUFFIX WILL WITHSTAND EXPOSURE TO 260°C PEAK TEMPERATURE FOR WAVE SOLDER PROCESS.
10. THIS PRODUCT MEETS EUROPEAN UNION DIRECTIVES AND OTHER COUNTRY REGULATION AS DESCRIBED IN GS-22-008.
11. PLATING OPTIONS:  
PERFORMANCE PLATING WILL BE EITHER GOLD OR GXT ON CONTACT OR TAIL, OPTIONALLY (78~295u"/2~7.5u) TIN ON TAIL.
12. "THIS PRODUCT HAS 100% TIN PLATING IN THE INTERFACE AND HAS NOT BEEN TESTED FOR WHISKER GROWTH IN ALL INTERCONNECT ENVIRONMENTS."

PIN PLATING CODES

-1YY	30u"/.76u MIN (SEE NOTE 11) 50u"/1.27u Ni
-2YY	15u"/.38u MIN (SEE NOTE 11) 50u"/1.27u Ni
-3YY	50u"/1.27u MIN (SEE NOTE 11) 50u"/1.27u Ni
-4YY	100u"/2.54u MIN Sn 50u"/1.27u Ni (SEE NOTE 12)
-4YYHLF	
-5YY	15u"/.38u MIN (SEE NOTE 11) 50u"/1.27u Ni
-6YY	30u"/.76u MIN (SEE NOTE 11) 50u"/1.27u Ni
-7YY	30u"/.76u MIN (SEE NOTE 11) OVER 50u"/1.27u MIN Ni
-8YY	15u"/.38u MIN (SEE NOTE 11) OVER 50u"/1.27u MIN Ni

mat'l. code	surface ISO 1302 ✓	tolerance ISO 406 ISO 1101	projection 	product family HEADER
ltr ecn nldr date	tolerances unless otherwise specified			title
M	angles	linear	INCH/MM	FRICION LATCH HDR POLARIZED, SINGLE ROW VERT.
	0±2'	X.XX±.01/X.XX±.03 X.XX±.005/X.XX±.013 X.XX±.0020/X.XX±.0051	scale 1:1	dwg no 87800 sheet 2 of 2 size A3
	dr	S.ROYER	6/28/94	
	engr	L.FYE	6/28/94	
	chr	J.MURPHY	6/28/94	
	appd	L.FYE	6/28/94	
sheet index	revision sheet			type Product Customer Drawing

# Mouser Electronics

Authorized Distributor

Click to View Pricing, Inventory, Delivery & Lifecycle Information:

[FCI / Amphenol:](#)

[87800-102](#) [87800-111](#)