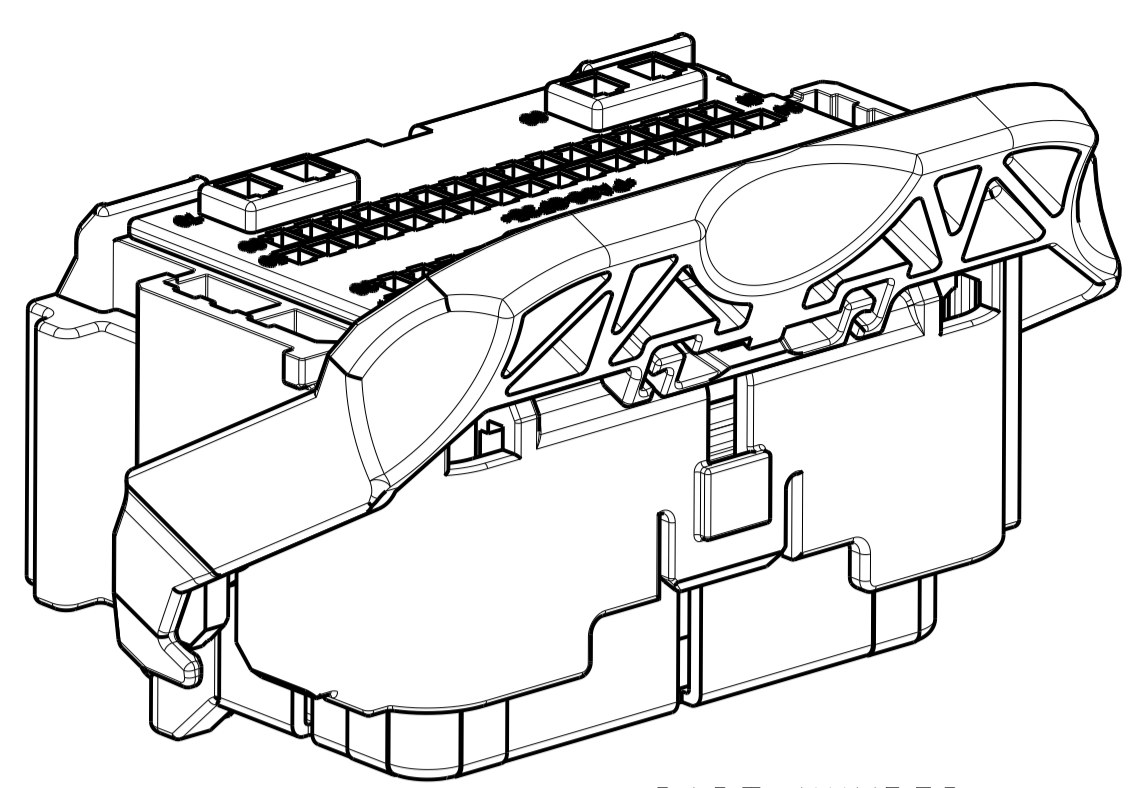
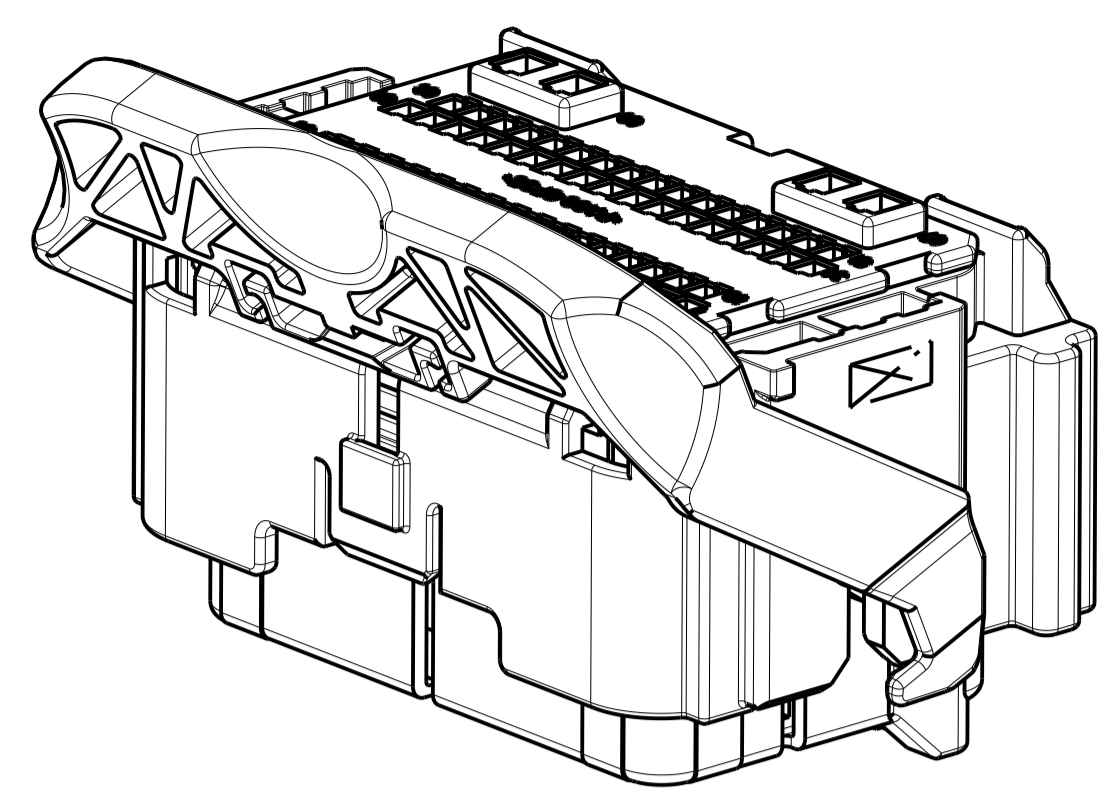
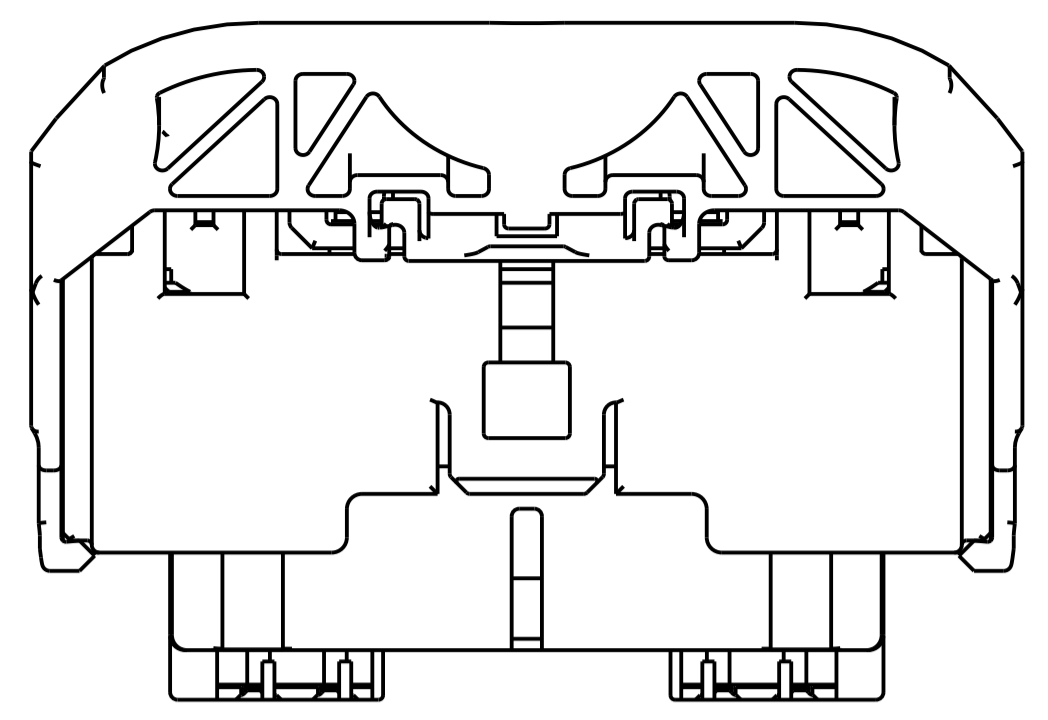


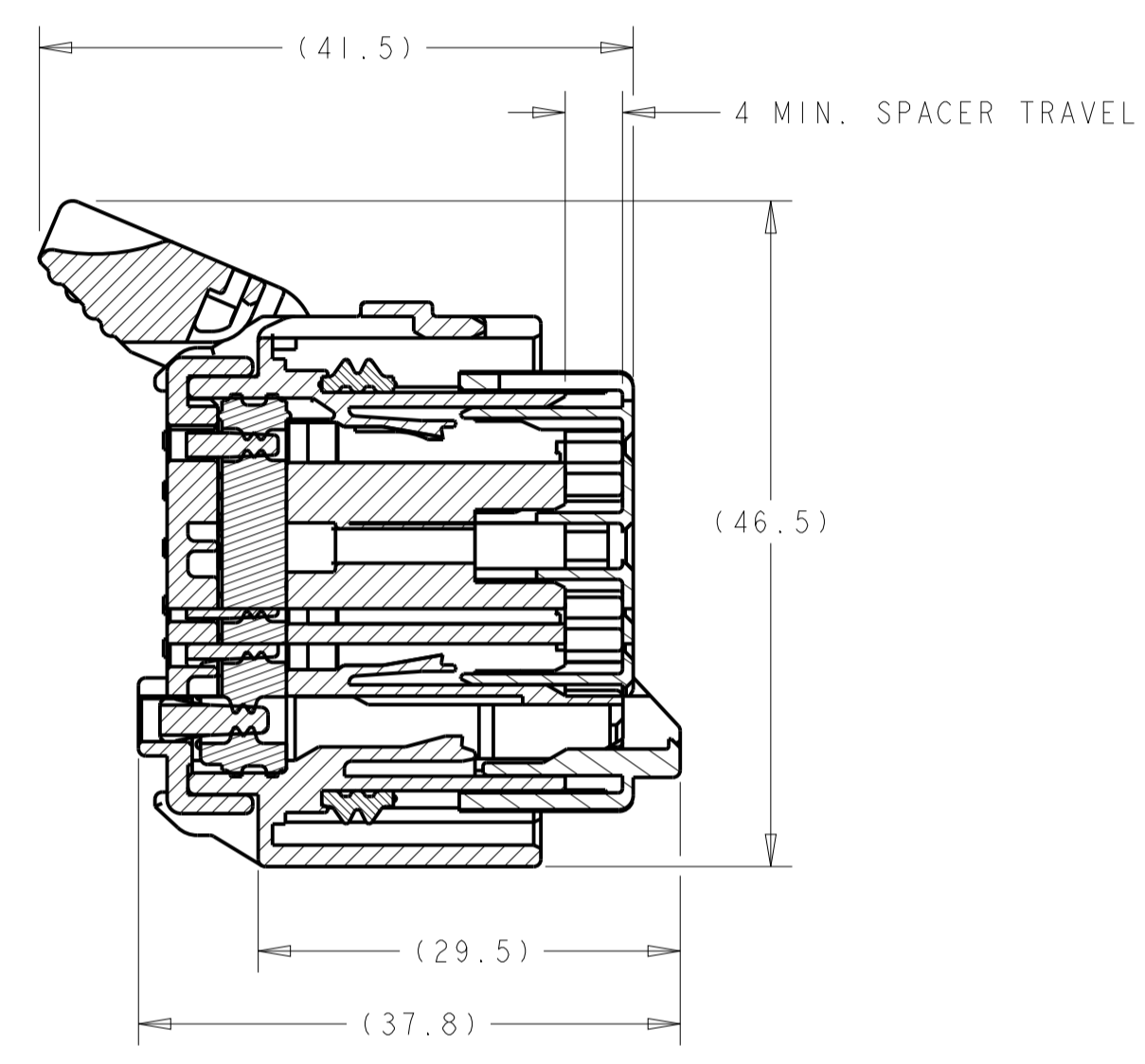
REVISIONS				
P.	LTN.	DESCRIPTION	DATE	APVD.
G45		REVISED PER ECO-13-011449	16JUL2013	DLD DCM
G46		REVISED PER ECO-14-007153	19MAY2014	DLD DCM
G47		REVISED PER ECO-14-014965	09OCT2013	DLD DCM



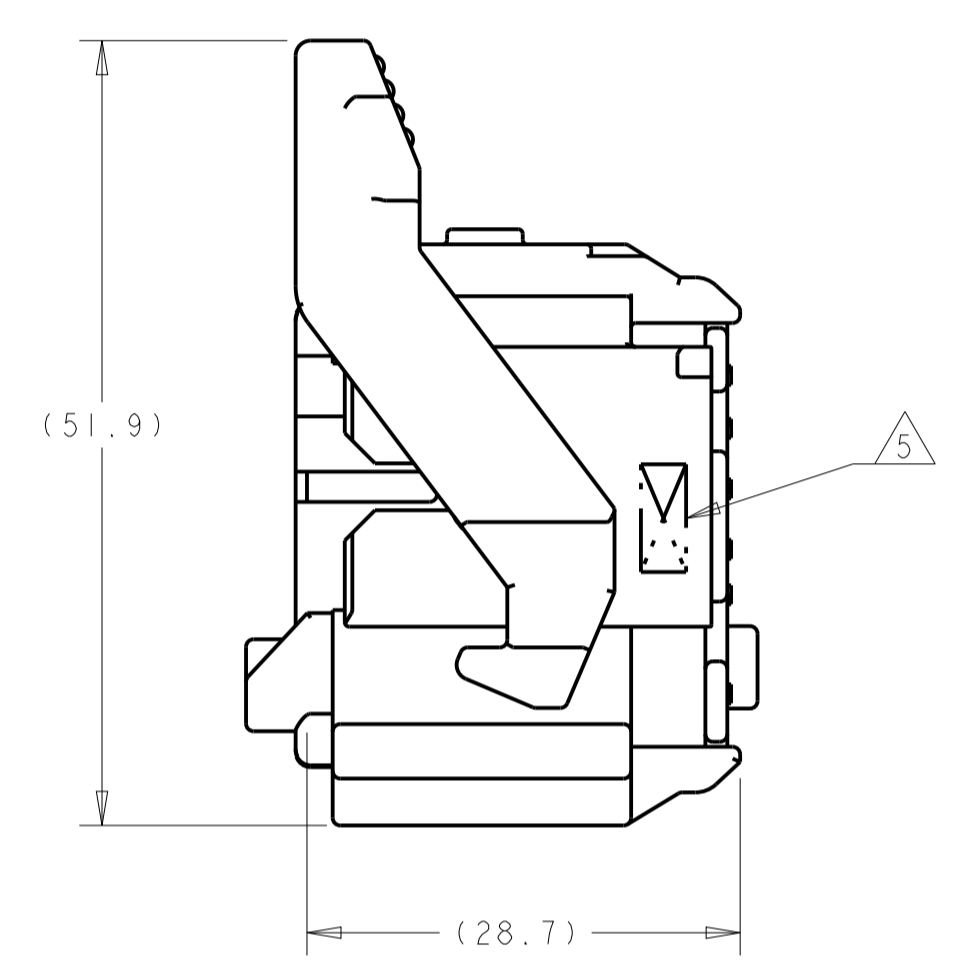
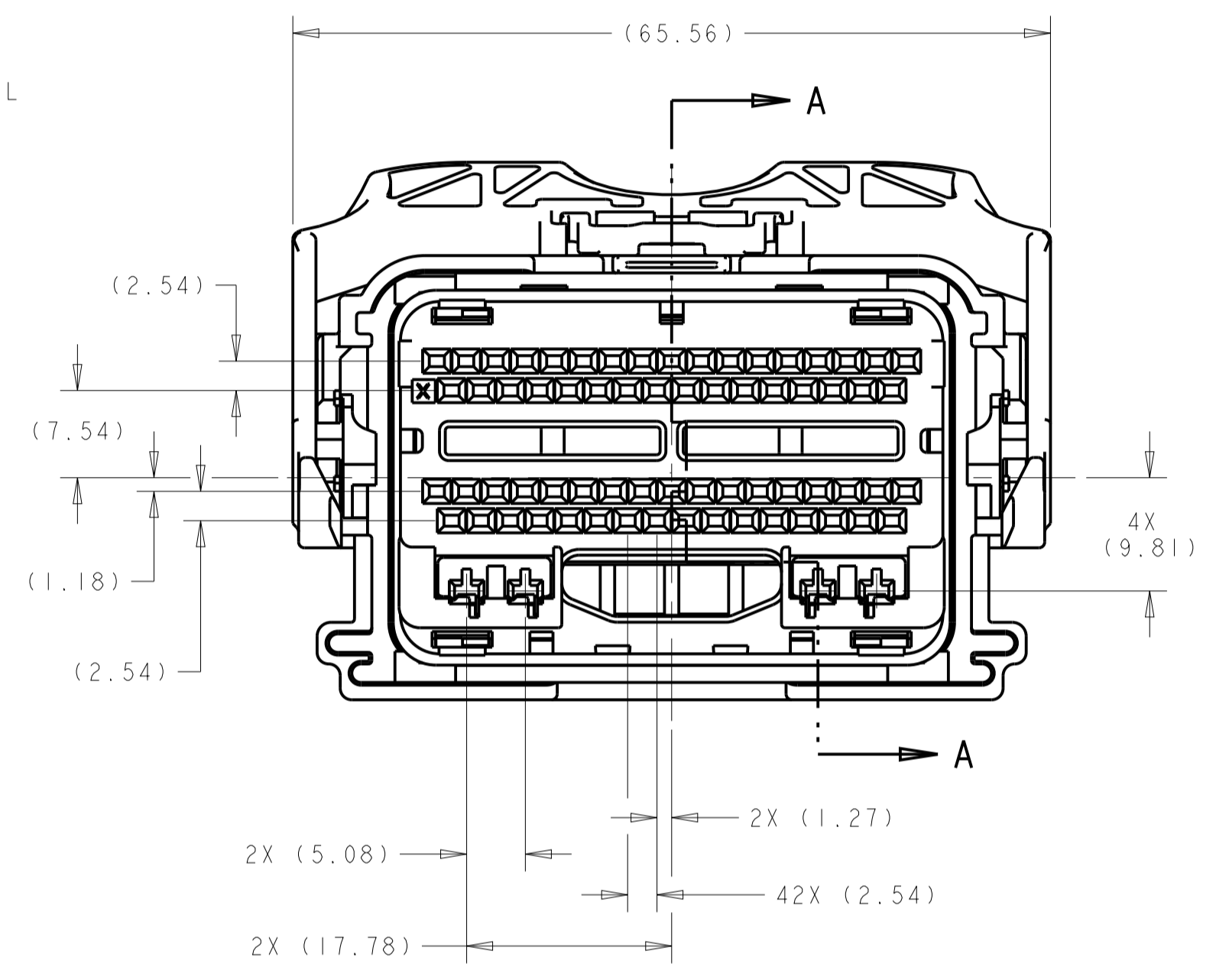
PART NUMBER:  
1438136-1  
SHOWN WITH SPACER  
IN SEATED POSITION



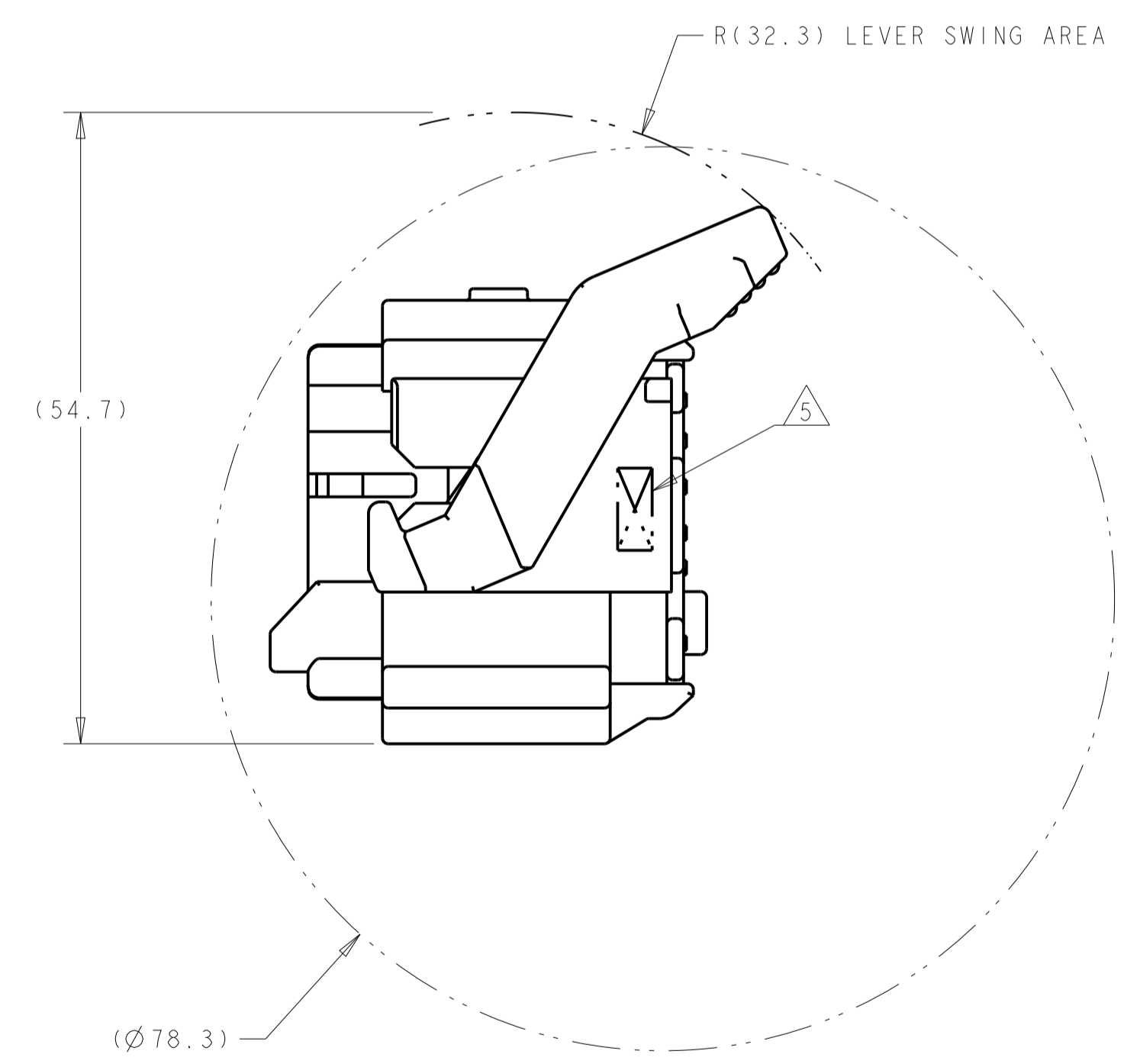
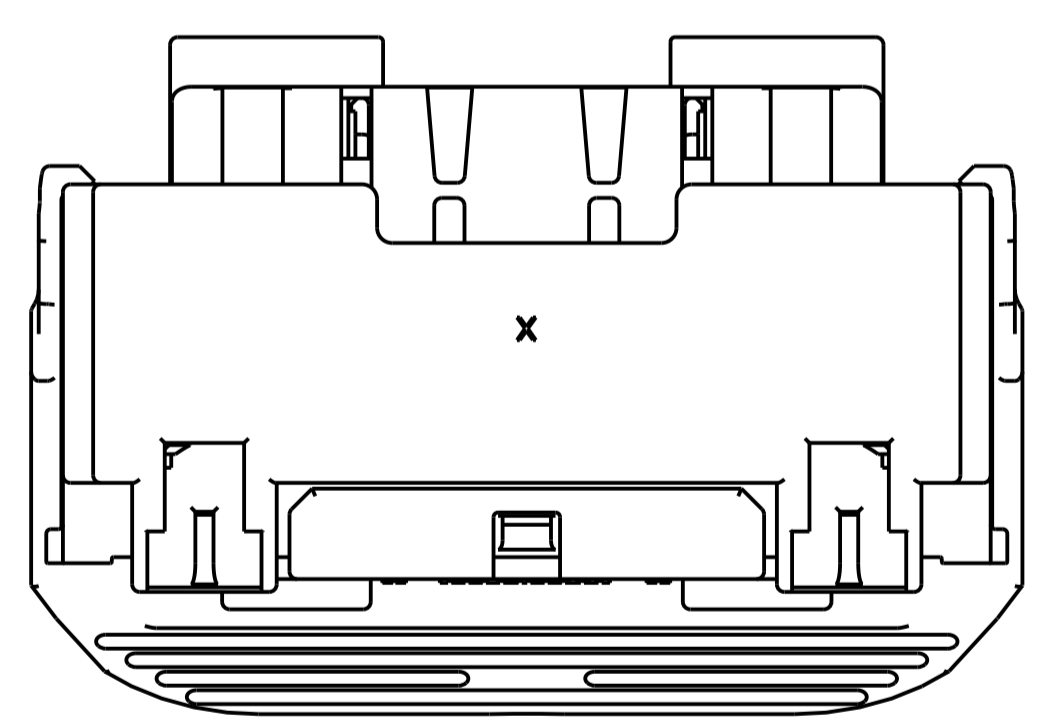
1. PRINT FORD PART NUMBER (SEE ATTACHED CHARTS) AND TRACEABILITY CODE (YY = 2 DIGIT YEAR, JJJ = JULIAN DATE, HH = 2 DIGIT MILITARY HOUR) IN THIS LOCATION AT ASSEMBLY. SEE SHEETS 3, 4 AND 5 (-\*) PART NUMBERS.
  2. APPLICABLE MOLEX (1.5) POWER TERMINAL PART NUMBERS:  
33012-0002 TIN 0.50-1.50mm<sup>2</sup>
  3. CAM LEVER AND SPACER ARE SHIPPED IN THEIR PRE-ASSEMBLED POSITIONS.
  4. REFERENCE TE INSTRUCTION SHEET 408-8893.
- △ COMPANY LOGO.



SECTION A-A  
SPACER AND LEVER  
IN PRE-SEATED POSITION  
(DELIVERY POSITION)



SHOWN WITH CAM  
LEVER AND SPACER  
IN LOADED POSITION



MIN. FEED THRU CONDITION  
WITH 1mm CLEARANCE ALL AROUND  
SHOWN WITH SPACER IN SEATED POSITION

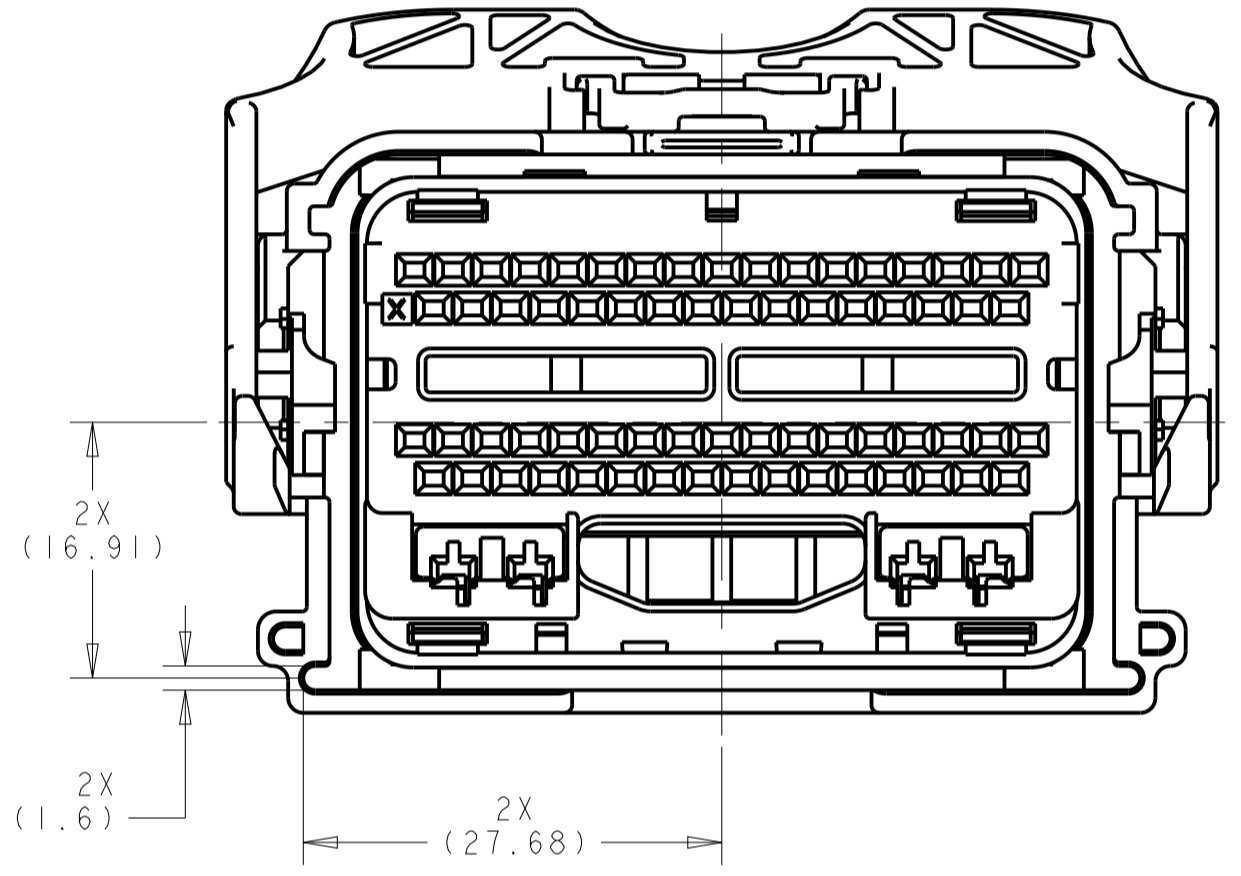
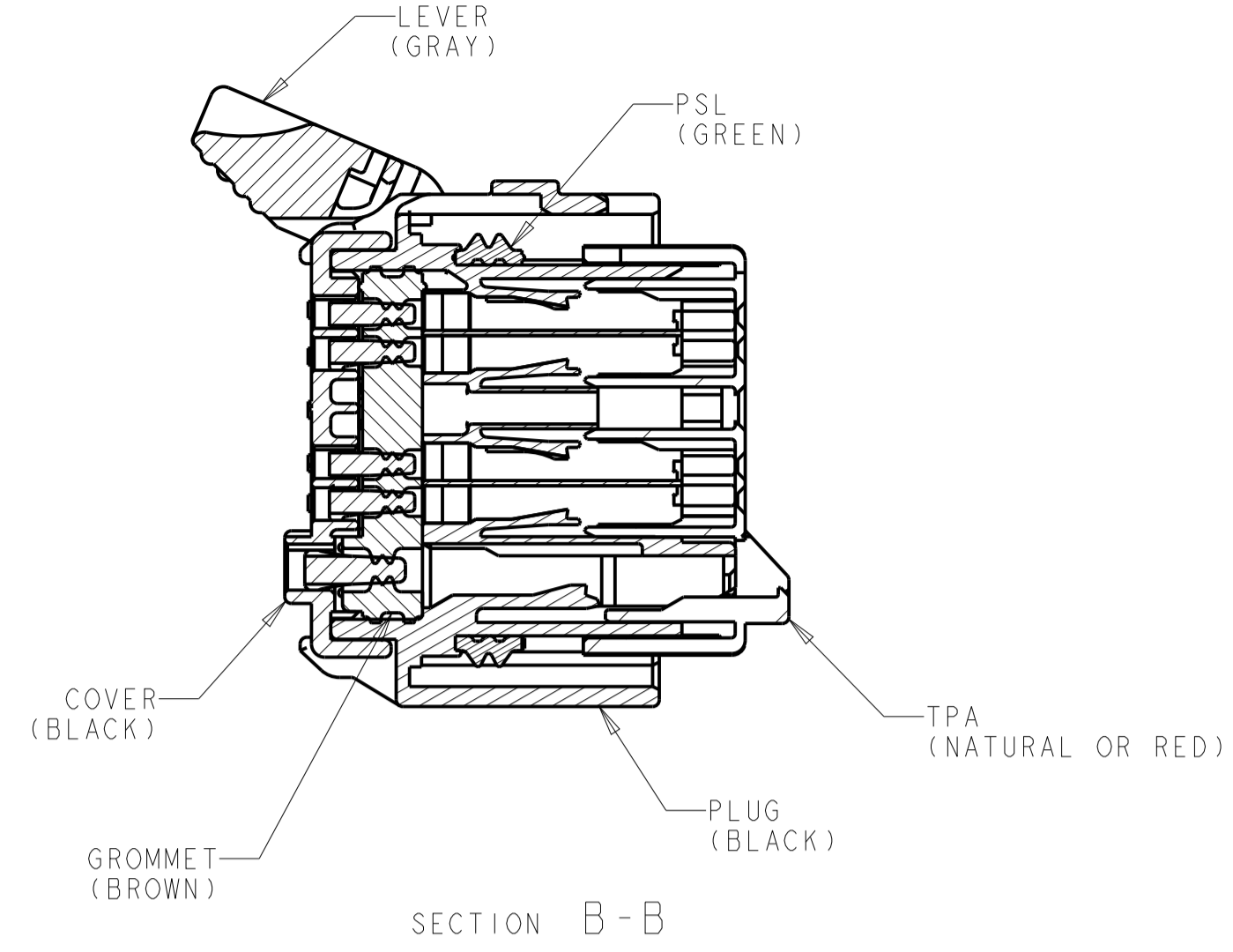
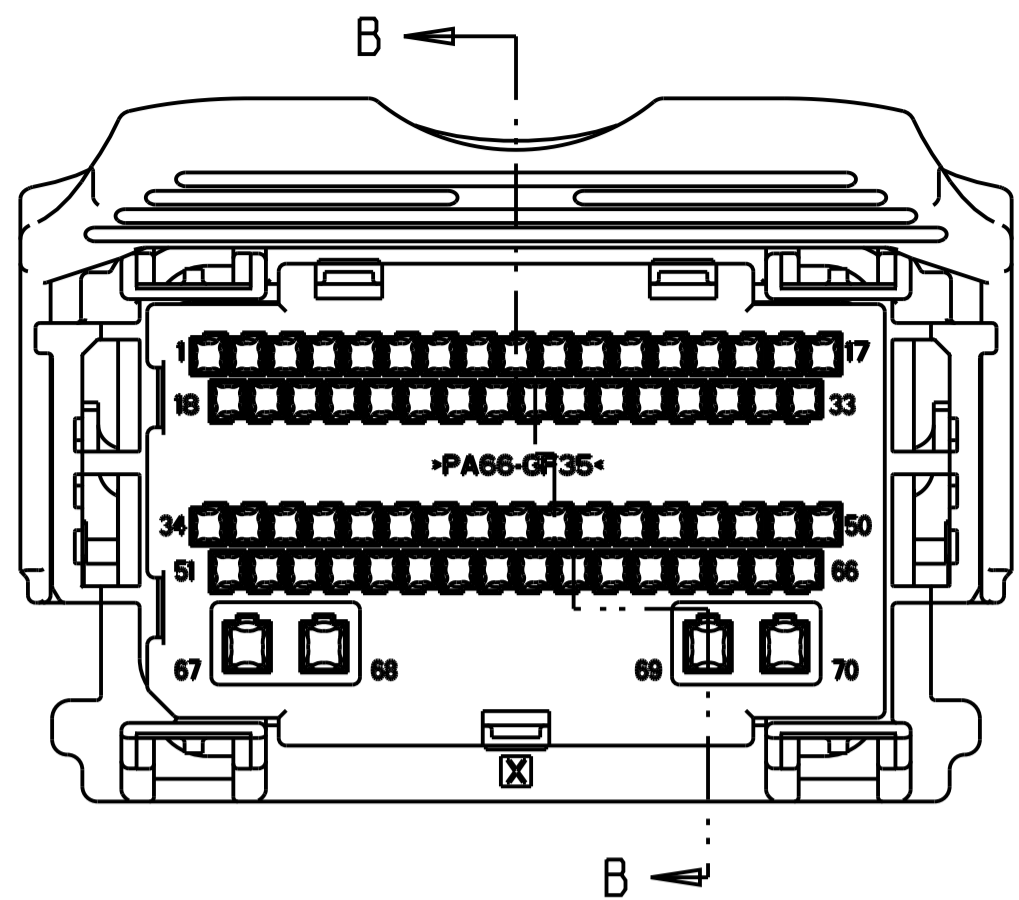
APPLICABLE COMPONENTS (FOR REFERENCE ONLY)						
DESCRIPTION	NOMINAL TERMINAL SIZE	COLOR/PLATING	FORD COMPONENT PART NUMBER	SUPPLIER PART NUMBER	MATERIAL/SPECIFICATION NUMBER	SAE WIRE SIZE
TERMINAL - FEMALE (Ag)	0.64 (CAT. 0)	SILVER	7S4T-14474-AA	1393366-2	COPPER ALLOY/SILVER PLATE	20AWG 18AWG
TERMINAL - FEMALE (Ag)	0.64 (CAT. 0)	SILVER	7S4T-14474-BA	1393367-2	COPPER ALLOY/SILVER PLATE	22AWG
TERMINAL - FEMALE (Sn)	0.64 (CAT. 0)	TIN	1L2T-14474-AA	1393366-1	COPPER ALLOY/TIN PLATE	20AWG 18AWG
TERMINAL - FEMALE (Sn)	0.64 (CAT. 0)	TIN	1L2T-14474-BA	1393367-1	COPPER ALLOY/TIN PLATE	22AWG
TERMINAL - FEMALE (Au)	0.64 (CAT. 0)	GOLD	1L2T-14474-CA	1393365-1	COPPER ALLOY/GOLD PLATE	20AWG 18AWG
TERMINAL - FEMALE (Au)	0.64 (CAT. 0)	GOLD	1L2T-14474-DA	1393364-1	COPPER ALLOY/GOLD PLATE	22AWG

SEE SHEETS 3 THRU 7  
PART NUMBER

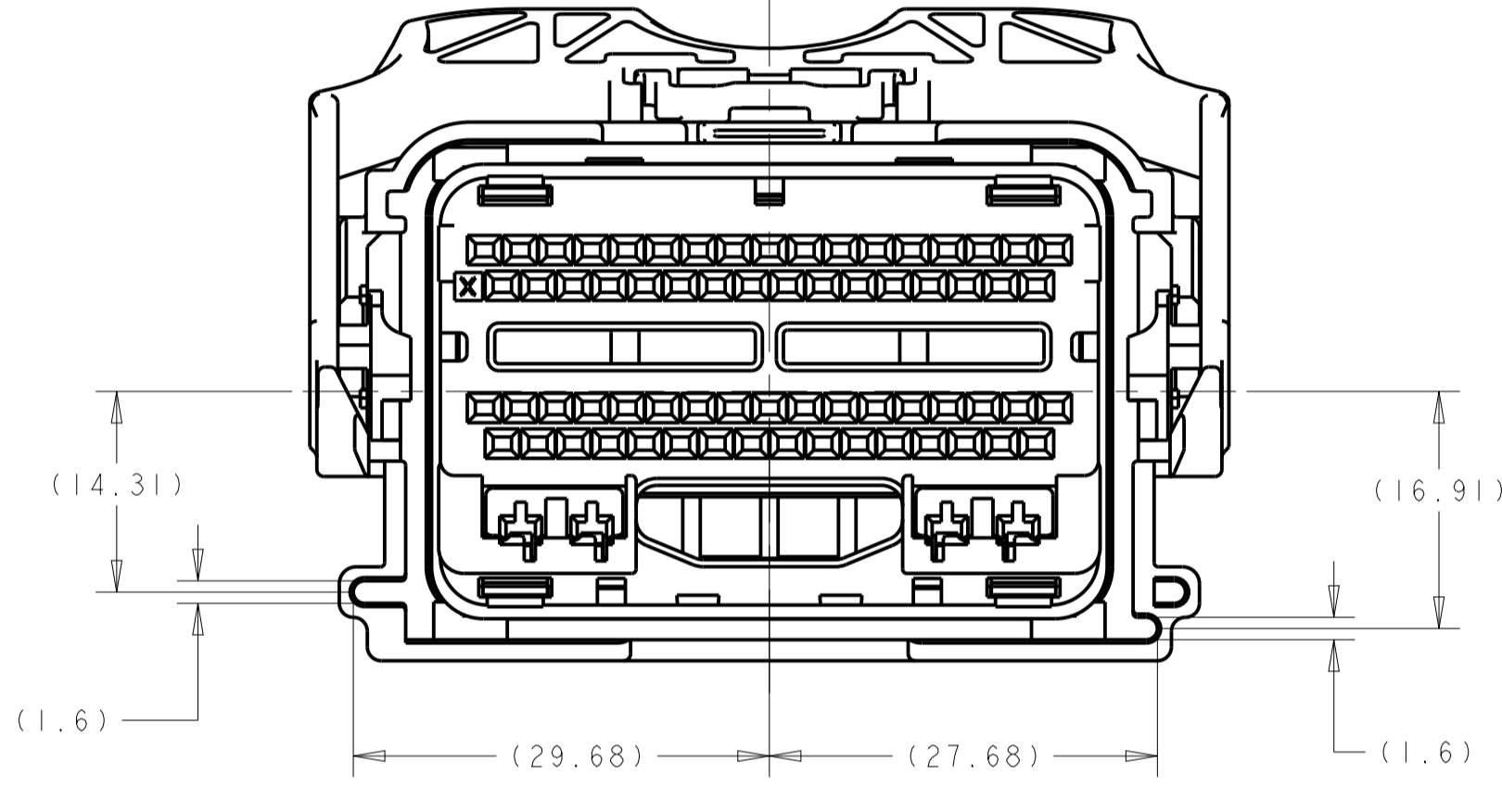
THIS DRAWING IS A CONTROLLED DOCUMENT.

DIMENSIONS: mm 	TOLERANCES UNLESS OTHERWISE SPECIFIED: 0 PLC ±0.3 1 PLC ±0.10 2 PLC ±0.10 3 PLC ±0.10 4 PLC ±0.10 ANGLES ±1°	DWN: R. VESTAL 15APR2005 CHK: T. VALASEK 15APR2005 APVD: T. VALASEK 15APR2005	NAME: <b>STE</b> TE Connectivity 70-WAY HARNESS ASSEMBLY
MATERIAL:	FINISH:	WEIGHT:	RESTRICTED TO:
CUSTOMER DRAWING		SCALE: 2:1	SHEET 1 OF 11 REV: G47

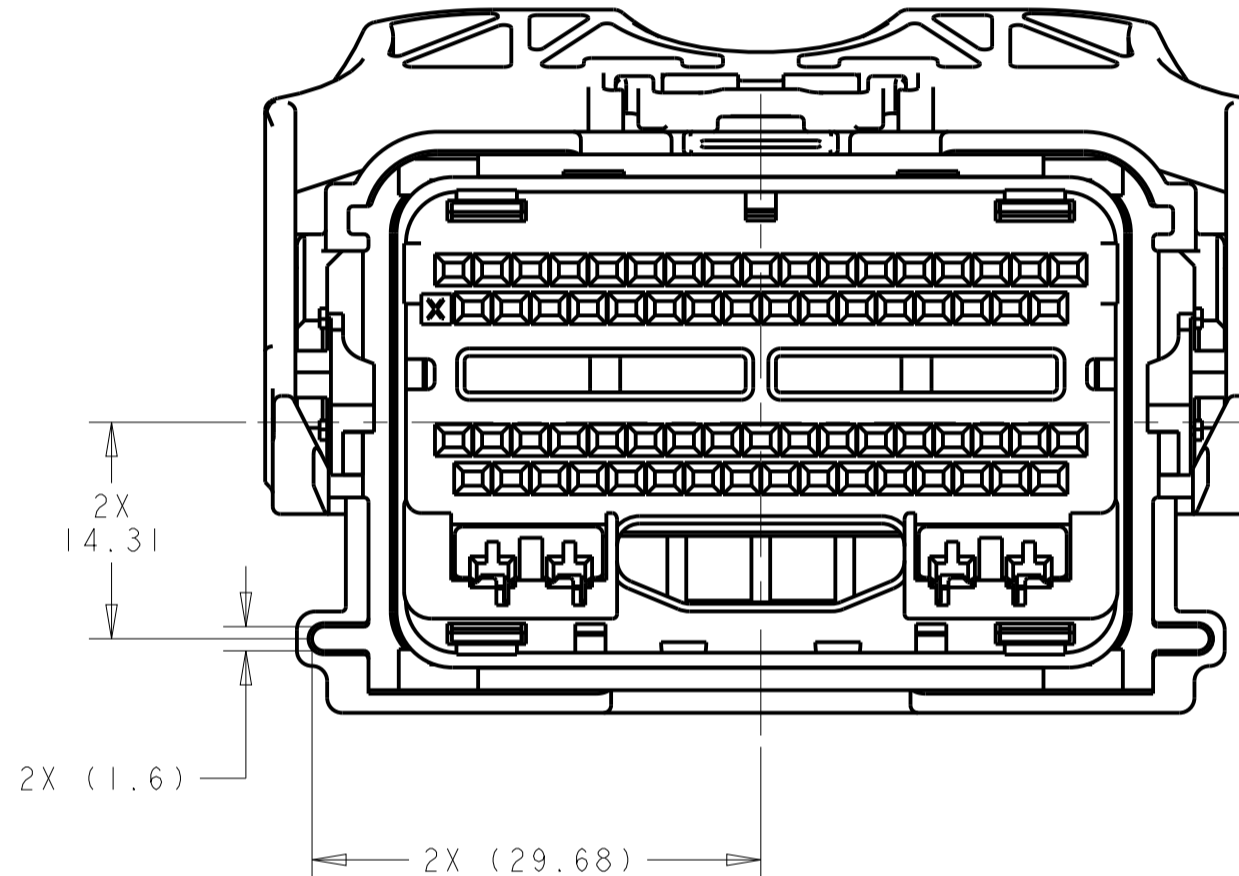
REVISIONS				
P.	LTN	DESCRIPTION	DATE	APVD
-	-	SEE SHEET 1	-	-



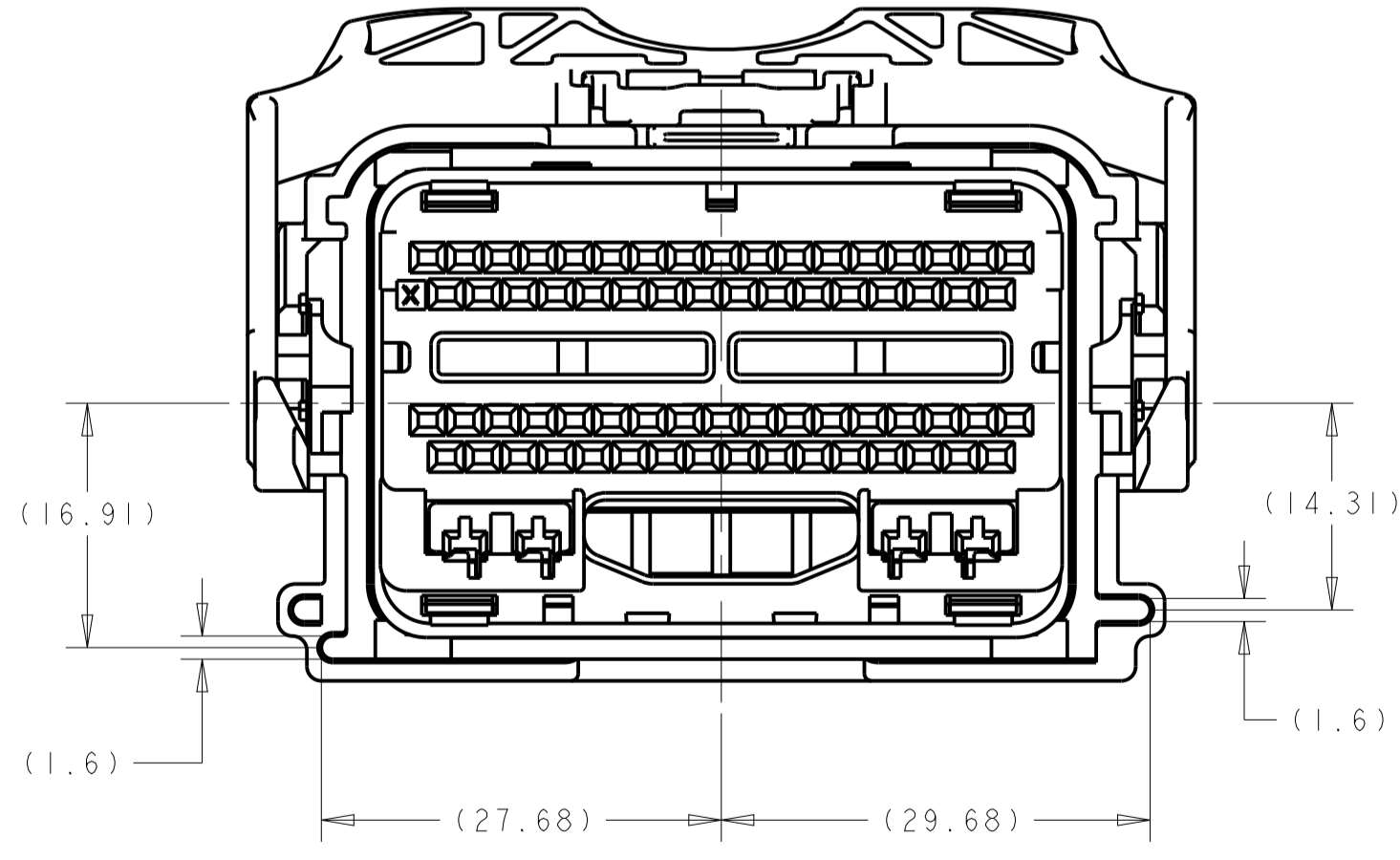
KEYING OPTION "A"



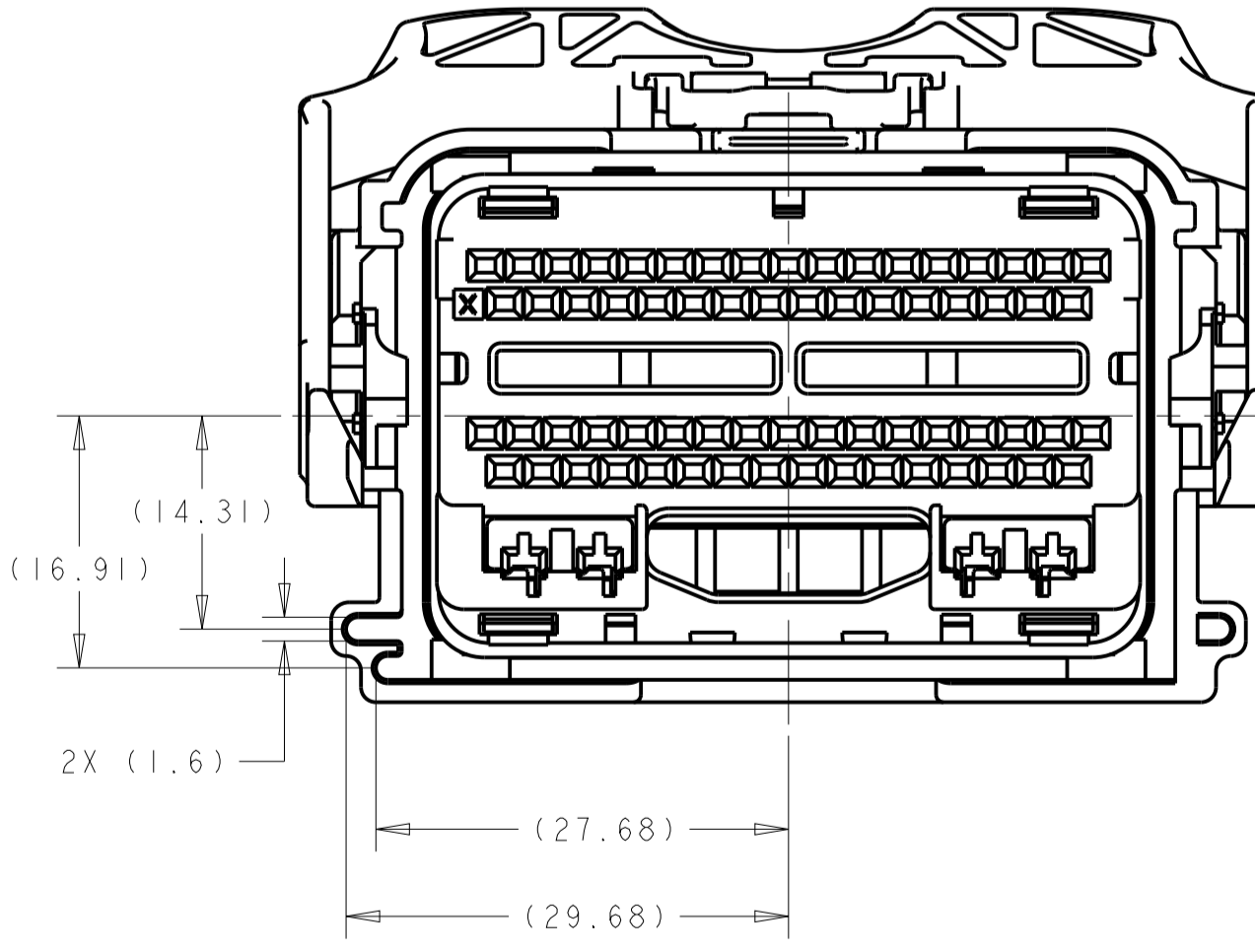
KEYING OPTION "B"



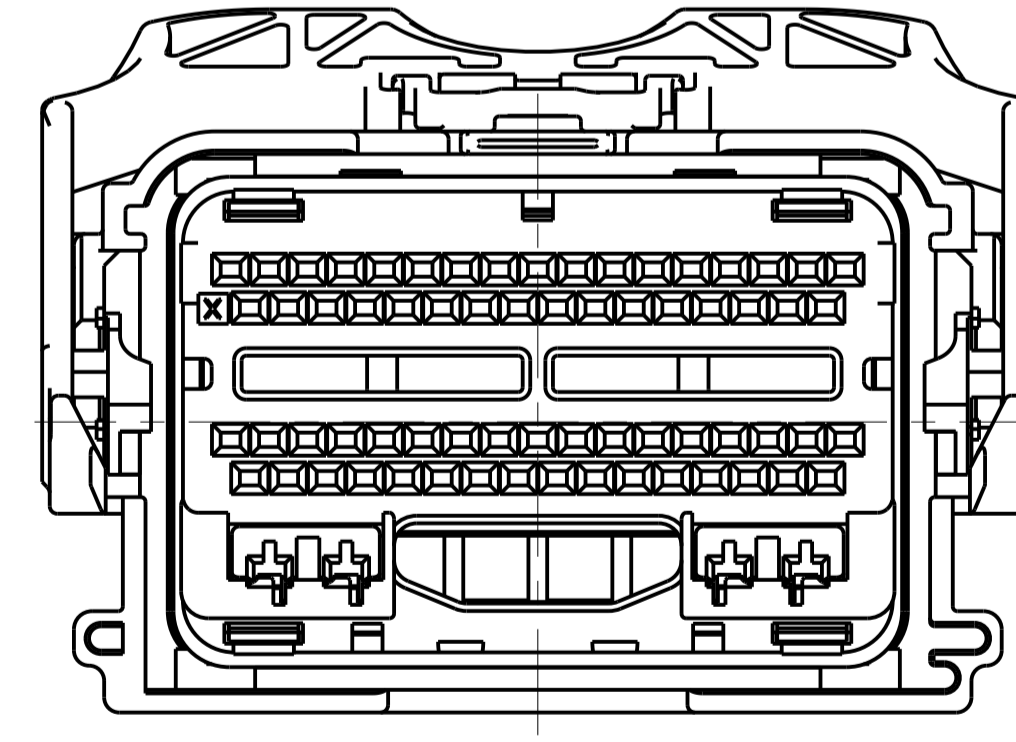
KEYING OPTION "C"



KEYING OPTION "D"



KEYING OPTION "E"



KEYING OPTION "F"

THIS DRAWING IS A CONTROLLED DOCUMENT.		OWN: R. VESTAL 15APR2005	TE Connectivity
DIMENSIONS: mm		CHK: T. VALASEK 15APR2005	
TOLERANCES UNLESS OTHERWISE SPECIFIED:		APVD: T. VALASEK 15APR2005	NAME: 70-WAY HARNESS ASSEMBLY
0 PLC ±	1 PLC ±0.3	PRODUCT SPEC	SIZE: A1
2 PLC ±0.10	3 PLC ±	APPLICATION SPEC	CAGE CODE: 1438136
4 PLC ±	ANGLES ±	WEIGHT	RESTRICTED TO
MATERIAL	FINISH	CUSTOMER DRAWING	SCALE: 2:1 SHEET 2 OF 11 REV: 647

REVISIONS					
P.	LTN	DESCRIPTION	DATE	DWN	APVD
-	-	SEE SHEET 1	-	-	-

		65	64	63	62	56												42	40	39	33	32	27	26	25	24	23	22	21	20	19	18	13	8	7	6	2	1	9-1438136-6	5L3T-14A464-DA-054															
		65	64	63	62	56												43	42	40	39	33												24	21	20	18	13	8	7	6	3	2	1	8-1438136-8	5L3T-14A464-DA-053									
		65	64	63	62	56												43	42	40	39	33	31	30	27												23	21	18	13	8	7	6	5	4	3	2	1	8-1438136-3	5L3T-14A464-DA-052					
		65				56												44	43	42	40	39	33	31	30												24	20	13	8	7	6	3	2	1	8-1438136-2	5L3T-14A464-DA-051								
			64	63	62	57	56	55	50												43		39	38	32												27	26	25	22	21	20	19	18	14	13	9	8	3	8-1438136-1	5L3T-14A464-DA-050				
			64	63	62	57	56	55	50												43		39	38	32												29	28	27	26	25	22	14	13	9	8	3	7-1438136-8	5L3T-14A464-DA-049						
		65	64	63	62	57	56												42	40	39	33	32												26	25	24	23	22	21	20	19	18	13	8	7	6	2	1	7-1438136-7	5L3T-14A464-DA-048				
		65	64	63	62	56												49	48	43	42	40	39	33	31	30												23	21	18	13	8	7	6	5	4	3	2	1	7-1438136-5	5L3T-14A464-DA-047				
		65				56												44	43	42	40	39	33												24	20	13	8	7	6	3	2	1	7-1438136-4	5L3T-14A464-DA-046										
		65	64	63	62	56												43	42	40	39	33												27	24	21	20	18	13	8	7	6	3	2	1	7-1438136-3	5L3T-14A464-DA-045								
		68	67	65	64	56	55	50												44	43	42	41	40	39	38	33	31	30	27	24	20	15	14	13	11	10	9	8	2	1	7-1438136-2	5L3T-14A464-DA-044												
70		68	67	66	65	64	63	60	59	55	54	51	50												44	43	42	40	38	37	34	32	31	30	29	27	24	23	21	20	19	18	16	15	14	11	10	9	5	4	3	2	1	7-1438136-1	5L3T-14A464-DA-043
			64	63	62	57	56	55	50												43	42	39	38	32												27	25	22	21	20	19	18	14	9	8	7	5	1	6-1438136-9	5L3T-14A464-DA-042				
		68	67	65	64	56												44	43	42	40	39	33	31	30	27	24	23	20	18	13	8	7	6	4	2	1	6-1438136-8	5L3T-14A464-DA-041																
		68	67		64	63	62	56												44	43	42	40	39	33	31	30	27	24	23	21	20	18	13	8	7	6	4	2	1	6-1438136-7	5L3T-14A464-DA-040													
		68	67		64	63	62	56												44	43	42	40	33	31	30	27	24	23	21	20	18	13	8	7	6	4	3	6-1438136-6	5L3T-14A464-DA-039															
		68	67	66	65	64	62	60	59	56	55	51	50												44	43	42	41	40	39	38	34	32	31	30	27	24	23	20	19	15	14	13	11	10	9	8	7	5	4	3	2	1	6-1438136-5	5L3T-14A464-DA-038
		68	67	66	65	64	62	60	59	56	55	51	50												44	43	42	41	40	39	38	34	32	31	30	27	24	23	20	19	15	14	13	11	10	9	8	7	5	4	2	1	6-1438136-4	5L3T-14A464-DA-037	
70		68	67	66	65	64	63	60	59	55	54	51	50												44	43	42	40	38	37	34	32	31	30	29	27	24	23	21	20	19	16	15	14	11	10	9	5	4	3	2	1	6-1438136-3	5L3T-14A464-DA-036	
			64	63	62	57	56	55	50												43		39	38	32												27	26	25	22	21	20	19	18	14	13	9	8	7	6	5	4	3	6-1438136-2	5L3T-14A464-DA-035
			64	63	62	57	56	55	50												43		39	38	32												27	26	25	23	22	21	20	19	18	14	13	9	8	7	6	5	4	6-1438136-0	5L3T-14A464-DA-034
		68	67	65	64	56	55												44	42	40	39	38	33	31	30	27	24	23	20	18	15	14	13	11	10	9	8	7	5	4	2	1	5-1438136-9	5L3T-14A464-DA-033										
		68	67			56												44	43	42	40	33												27	24	20	18	13	7	5	4	2	5-1438136-8	5L3T-14A464-DA-032											
		68	67		63	62	56												44	43	42	40	33												27	24	21	20	18	13	7	5	4	2	5-1438136-7	5L3T-14A464-DA-031									
			64	63	62	56												42	40	39	33												24	23	21	20	18	13	8	7	5	4	2	5-1438136-6	5L3T-14A464-DA-030										
		68	67	66	65	64	60	59	55	51	50												44	43	42	40	38	34	32	31	30	27	24	23	20	19	15	14	11	10	9	5	4	2	1	5-1438136-5	5L3T-14A464-DA-029								
		68	67		64	56												44	43	42	40	39	33	31	30	27	24	23	20	18	13	8	7	6	4	2	1	4-1438136-9	5L3T-14A464-DA-028																
70		68			63	56	55	54	51	50												44	42	40	39	38	37	33	32	31	30	29	27	25	24	22	21	19	15	14	10	5	4	2	1	4-1438136-3	5L3T-14A464-DA-027								
70		68			63	56	55	54	51	50												44	42	40	39	38	37	33	32	31	30	29	27	24	22	21	19	15	14	10	4	2	1	4-1438136-2	5L3T-14A464-DA-026										
			64	63	56	55	50												43	42	41	40	39	38	32	31	30	27	25	22	21	20	19	14	5	1	4-1438136-1	5L3T-14A464-DA-025																	
		68	67	64	56	50												44	43	42	40	39	33	31	30	27	26	25	23	22	20	19	18	13	8	7	6	5	4	3	2	1	4-1438136-0	5L3T-14A464-DA-024											
		68	67	64	63	62	56	50												44	43	42	40	39	33	31	30	27	24	23	21	20	18	13	8	7	6	2	3-1438136-9	5L3T-14A464-DA-023															
		68	67	64	63	62	56												44	43	42	40	33	31	30	27	24	23	21	20	18	13	7	6	2	3-1438136-8	5L3T-14A464-DA-022																		
		68	67	64	62	56	50												44	43	42	40	39	33	31	30	27	24	23	20	18	13	8	7	6	2	3-1438136-7	5L3T-14A464-DA-021																	
		68	67	64	56	50												44	43	42	40	39	33	31	30	27	24	23	20	19	18	13	8	7	6	3-1438136-6	5L3T-14A464-DA-020																		
			65	64	63	62	56												43	42	40	39	33												23	21	18	13	8	5	4	3	2	1	3-1438136-5	5L3T-14A464-DA-019									
		68	67	65	64	56	55	50												44	43	42	41	40	39	38	33	31	30	27	23	15	14	13	11	10	9	8	5	4	2	1	3-1438136-4	5L3T-14A464-DA-018											
		68	67	64	63	62	56												44	43	42	40	33	31	30	27	24	23	21	20	18	13	7	6	4	3	2	3-1438136-3	5L3T-14A464-DA-017																
		68	67	64	63	62	56	50												44	43	42	40	39	33	31	30	27	24	23	21	20	18	13	8	7	6	4	3	2	3-1438136-2	5L3T-14A464-DA-016													
		68	67		63	62	56	50												44	43	42	40	33												27	24	23	21	20	18	13	7	6	2	3-1438136-1	5L3T-14A464-DA-015								
			64	63	62	56												42	40	39	33												24	23	21	20	18	13	8	7	6	3-1438136-0	5L3T-14A464-DA-014												
			64	63	62	56												42	40	39	33												26	25	23	22	21	20	18	13	8	7	6	5	4	3	2	1	2-1438136-7	5L3T-14A464-DA-013					
		68	67	64	56	55												44	42	40	39	38	33	31	30	27	26	25	24	23	22	20	18	15	14	13	11	10	9	8	7	6	5	4	2	1	2-1438136-6	5L3T-14A464-DA-012							
			64	63	62	56												42	40	39	33												24	23	21	20	18	13	2	1	2-1438136-4	5L3T-14A464-DA-011													
		68	67	64	56	55	50												44	43	42	41	40	39	38	33	31	30	27	24	23	20	15	14	11	10	9	2	1	2-1438136-3	5L3T-14A464-DA-010														
			64	63	62	56												42	40	39	33												26	25	24	23	22	21	20	18	13	8	7	6	5	4	3	2	1	2-1438136-2	5L3T-14A464-DA-009				
		68	67	56	50												44	43	42	40	39	33	31	30	27	26	25	23	22	20	19	18	13	8	7	6	5	4	3	2	1	1-1438													

REVISIONS				
P.	LTN	DESCRIPTION	DATE	APPV
-	-	SEE SHEET 1	-	-

KEYING OPTION A	TERMINAL HOLE POSITION																												ASSEMBLY PART NUMBER	FORD PART NUMBER																																										
	70	69	68	67	66	65	64	63	62	61	60	59	58	57	56	55	54	53	52	51	50	49	48	47	46	45	44	43			42	41	40	39	38	37	36	35	34	33	32	31	30	29	28	27	26	25	24	23	22	21	20	19	18	17	16	15	14	13	12	11	10	9	8	7	6	5	4	3	2	1
	70	69	68	67	66	65	64	63	62	61	60	59	58	57	56	55	54	53	52	51	50	49	48	47	46	45	44	43	42	41	40	39	38	37	36	35	34	33	32	31	30	29	28	27	26	25	24	23	22	21	20	19	18	17	16	15	14	13	12	11	10	9	8	7	6	5	4	3	2	1	9-2035383-9	5L3T-14A464-DA-080
	69	68	67	66	65	64	63	62	61	60	59	58	57	56	55	54	53	52	51	50	49	48	47	46	45	44	43	42	41	40	39	38	37	36	35	34	33	32	31	30	29	28	27	26	25	24	23	22	21	20	19	18	17	16	15	14	13	12	11	10	9	8	7	6	5	4	3	2	1	9-2035383-5	5L3T-14A464-DA-079	
	70	69	68	67	66	65	64	63	62	61	60	59	58	57	56	55	54	53	52	51	50	49	48	47	46	45	44	43	42	41	40	39	38	37	36	35	34	33	32	31	30	29	28	27	26	25	24	23	22	21	20	19	18	17	16	15	14	13	12	11	10	9	8	7	6	5	4	3	2	1	9-2035383-3	5L3T-14A464-DA-078
	65	64	63	62	61	60	59	58	57	56	55	54	53	52	51	50	49	48	47	46	45	44	43	42	41	40	39	38	37	36	35	34	33	32	31	30	29	28	27	26	25	24	23	22	21	20	19	18	17	16	15	14	13	12	11	10	9	8	7	6	5	4	3	2	1	1-2035383-4	5L3T-14A464-DA-077					
	68	67	65	64	63	62	61	60	59	58	57	56	55	54	53	52	51	50	49	48	47	46	45	44	43	42	41	40	39	38	37	36	35	34	33	32	31	30	29	28	27	26	25	24	23	22	21	20	19	18	17	16	15	14	13	12	11	10	9	8	7	6	5	4	3	2	1	1-2035383-0	5L3T-14A464-DA-076			
	68	67	65	64	63	62	61	60	59	58	57	56	55	54	53	52	51	50	49	48	47	46	45	44	43	42	41	40	39	38	37	36	35	34	33	32	31	30	29	28	27	26	25	24	23	22	21	20	19	18	17	16	15	14	13	12	11	10	9	8	7	6	5	4	3	2	1	2035383-8	5L3T-14A464-DA-075			
	68	67	65	64	63	62	61	60	59	58	57	56	55	54	53	52	51	50	49	48	47	46	45	44	43	42	41	40	39	38	37	36	35	34	33	32	31	30	29	28	27	26	25	24	23	22	21	20	19	18	17	16	15	14	13	12	11	10	9	8	7	6	5	4	3	2	1	2035383-2	5L3T-14A464-DA-074			
	65	64	63	62	61	60	59	58	57	56	55	54	53	52	51	50	49	48	47	46	45	44	43	42	41	40	39	38	37	36	35	34	33	32	31	30	29	28	27	26	25	24	23	22	21	20	19	18	17	16	15	14	13	12	11	10	9	8	7	6	5	4	3	2	1	7-1456659-1	5L3T-14A464-DA-073					
	65	64	63	62	61	60	59	58	57	56	55	54	53	52	51	50	49	48	47	46	45	44	43	42	41	40	39	38	37	36	35	34	33	32	31	30	29	28	27	26	25	24	23	22	21	20	19	18	17	16	15	14	13	12	11	10	9	8	7	6	5	4	3	2	1	5-1456659-9	5L3T-14A464-DA-072					
	64	63	62	61	60	59	58	57	56	55	54	53	52	51	50	49	48	47	46	45	44	43	42	41	40	39	38	37	36	35	34	33	32	31	30	29	28	27	26	25	24	23	22	21	20	19	18	17	16	15	14	13	12	11	10	9	8	7	6	5	4	3	2	1	5-1456659-8	5L3T-14A464-DA-071						
	68	67	65	64	63	62	61	60	59	58	57	56	55	54	53	52	51	50	49	48	47	46	45	44	43	42	41	40	39	38	37	36	35	34	33	32	31	30	29	28	27	26	25	24	23	22	21	20	19	18	17	16	15	14	13	12	11	10	9	8	7	6	5	4	3	2	1	5-1456659-7	5L3T-14A464-DA-070			
	64	63	62	61	60	59	58	57	56	55	54	53	52	51	50	49	48	47	46	45	44	43	42	41	40	39	38	37	36	35	34	33	32	31	30	29	28	27	26	25	24	23	22	21	20	19	18	17	16	15	14	13	12	11	10	9	8	7	6	5	4	3	2	1	5-1456659-6	5L3T-14A464-DA-069						
	65	64	63	62	61	60	59	58	57	56	55	54	53	52	51	50	49	48	47	46	45	44	43	42	41	40	39	38	37	36	35	34	33	32	31	30	29	28	27	26	25	24	23	22	21	20	19	18	17	16	15	14	13	12	11	10	9	8	7	6	5	4	3	2	1	5-1456659-4	5L3T-14A464-DA-068					
	65	64	63	62	61	60	59	58	57	56	55	54	53	52	51	50	49	48	47	46	45	44	43	42	41	40	39	38	37	36	35	34	33	32	31	30	29	28	27	26	25	24	23	22	21	20	19	18	17	16	15	14	13	12	11	10	9	8	7	6	5	4	3	2	1	4-1456659-9	5L3T-14A464-DA-067					
	65	64	63	62	61	60	59	58	57	56	55	54	53	52	51	50	49	48	47	46	45	44	43	42	41	40	39	38	37	36	35	34	33	32	31	30	29	28	27	26	25	24	23	22	21	20	19	18	17	16	15	14	13	12	11	10	9	8	7	6	5	4	3	2	1	4-1456659-8	5L3T-14A464-DA-066					
	65	64	63	62	61	60	59	58	57	56	55	54	53	52	51	50	49	48	47	46	45	44	43	42	41	40	39	38	37	36	35	34	33	32	31	30	29	28	27	26	25	24	23	22	21	20	19	18	17	16	15	14	13	12	11	10	9	8	7	6	5	4	3	2	1	4-1456659-7	5L3T-14A464-DA-065					
	68	67	65	64	63	62	61	60	59	58	57	56	55	54	53	52	51	50	49	48	47	46	45	44	43	42	41	40	39	38	37	36	35	34	33	32	31	30	29	28	27	26	25	24	23	22	21	20	19	18	17	16	15	14	13	12	11	10	9	8	7	6	5	4	3	2	1	3-1456659-8	5L3T-14A464-DA-064			
	68	67	65	64	63	62	61	60	59	58	57	56	55	54	53	52	51	50	49	48	47	46	45	44	43	42	41	40	39	38	37	36	35	34	33	32	31	30	29	28	27	26	25	24	23	22	21	20	19	18	17	16	15	14	13	12	11	10	9	8	7	6	5	4	3	2	1	3-1456659-4	5L3T-14A464-DA-063			
	65	64	63	62	61	60	59	58	57	56	55	54	53	52	51	50	49	48	47	46	45	44	43	42	41	40	39	38	37	36	35	34	33	32	31	30	29	28	27	26	25	24	23	22	21	20	19	18	17	16	15	14	13	12	11	10	9	8	7	6	5	4	3	2	1	3-1456659-1	5L3T-14A464-DA-062					
	68	67	65	64	63	62	61	60	59	58	57	56	55	54	53	52	51	50	49	48	47	46	45	44	43	42	41	40	39	38	37	36	35	34	33	32	31	30	29	28	27	26	25	24	23	22	21	20	19	18	17	16	15	14	13	12	11	10	9	8	7	6	5	4	3	2	1	2-1456659-9	5L3T-14A464-DA-061			
	64	63	62	61	60	59	58	57	56	55	54	53	52	51	50	49	48	47	46	45	44	43	42	41	40	39	38	37	36	35	34	33	32	31	30	29	28	27	26	25	24	23	22	21	20	19	18	17	16	15	14	13	12	11	10	9	8	7	6	5	4	3	2	1	2-1456659-0	5L3T-14A464-DA-060						
	68	67	65	64	63	62	61	60	59	58	57	56	55	54	53	52	51	50	49	48	47	46	45	44	43	42	41	40	39	38	37	36	35	34	33	32	31	30	29	28	27	26	25	24	23	22	21	20	19	18	17	16	15	14	13	12	11	10	9	8	7	6	5	4	3	2	1	1-1456659-9	5L3T-14A464-DA-059			
CAVITIES WITH A NUMERIC SYMBOL INDICATES CLOSED TERMINAL LOCATIONS	68	67	65	64	63	62	61	60	59	58	57	56	55	54	53	52	51	50	49	48	47	46	45	44	43	42	41	40	39	38	37	36	35	34	33																																					





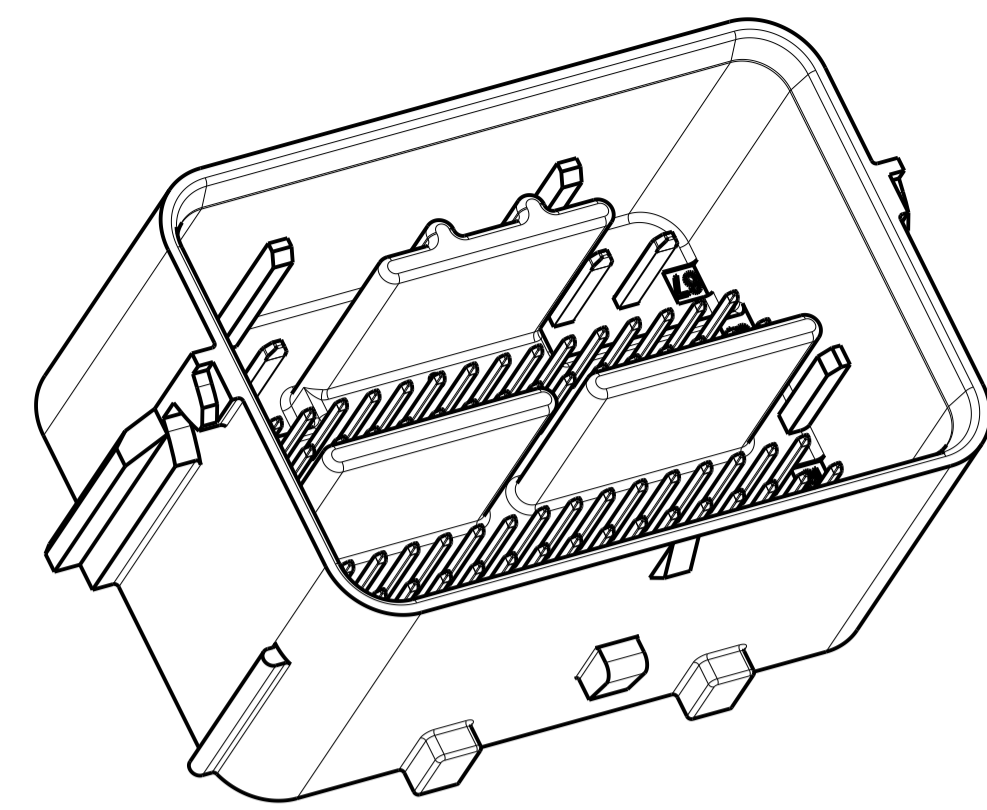




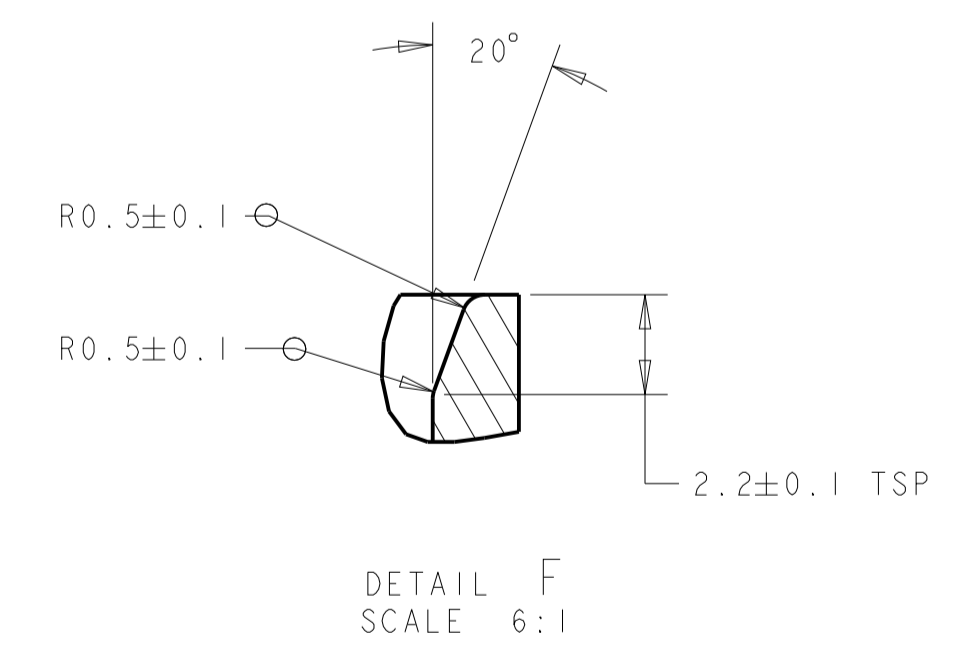
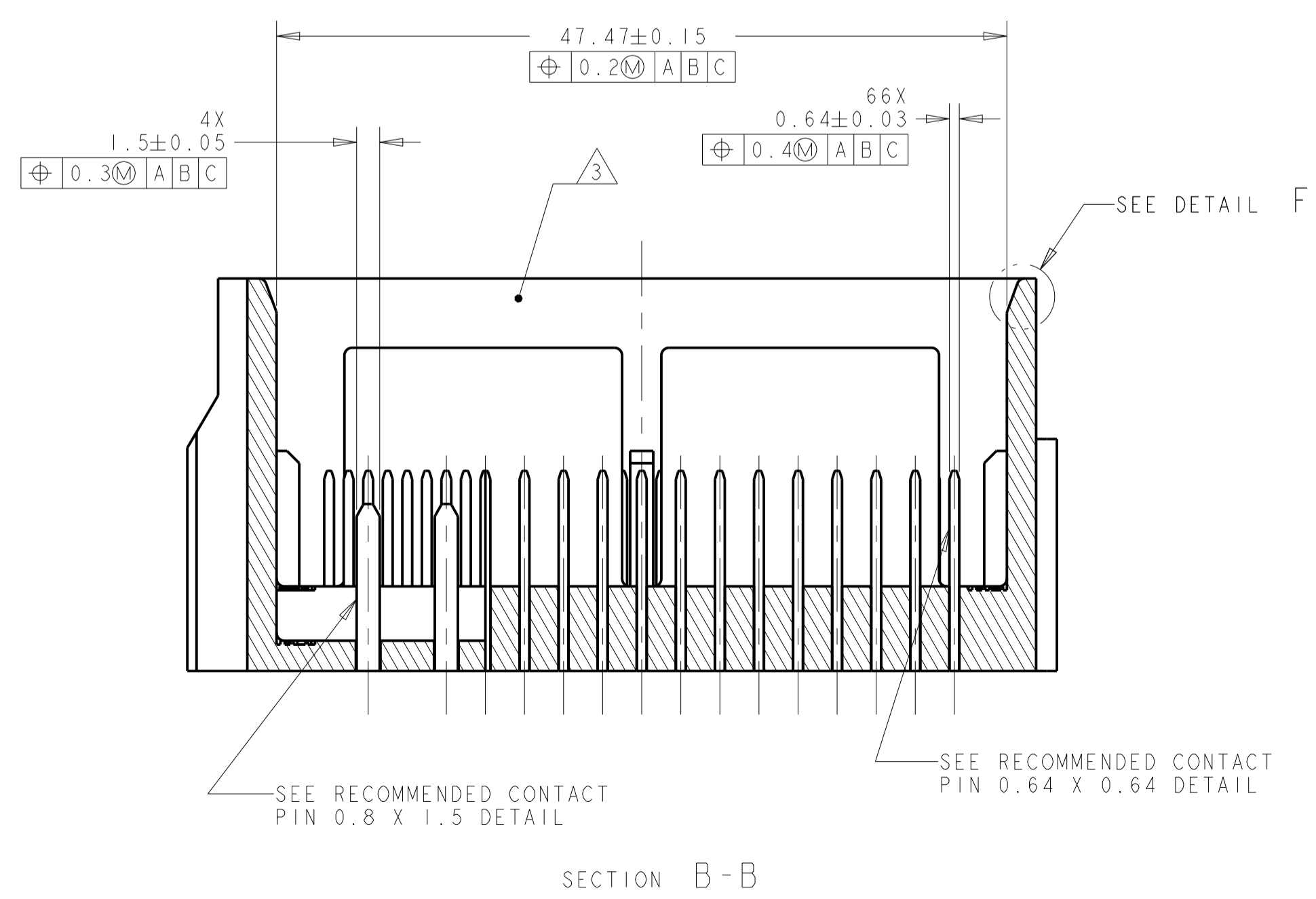
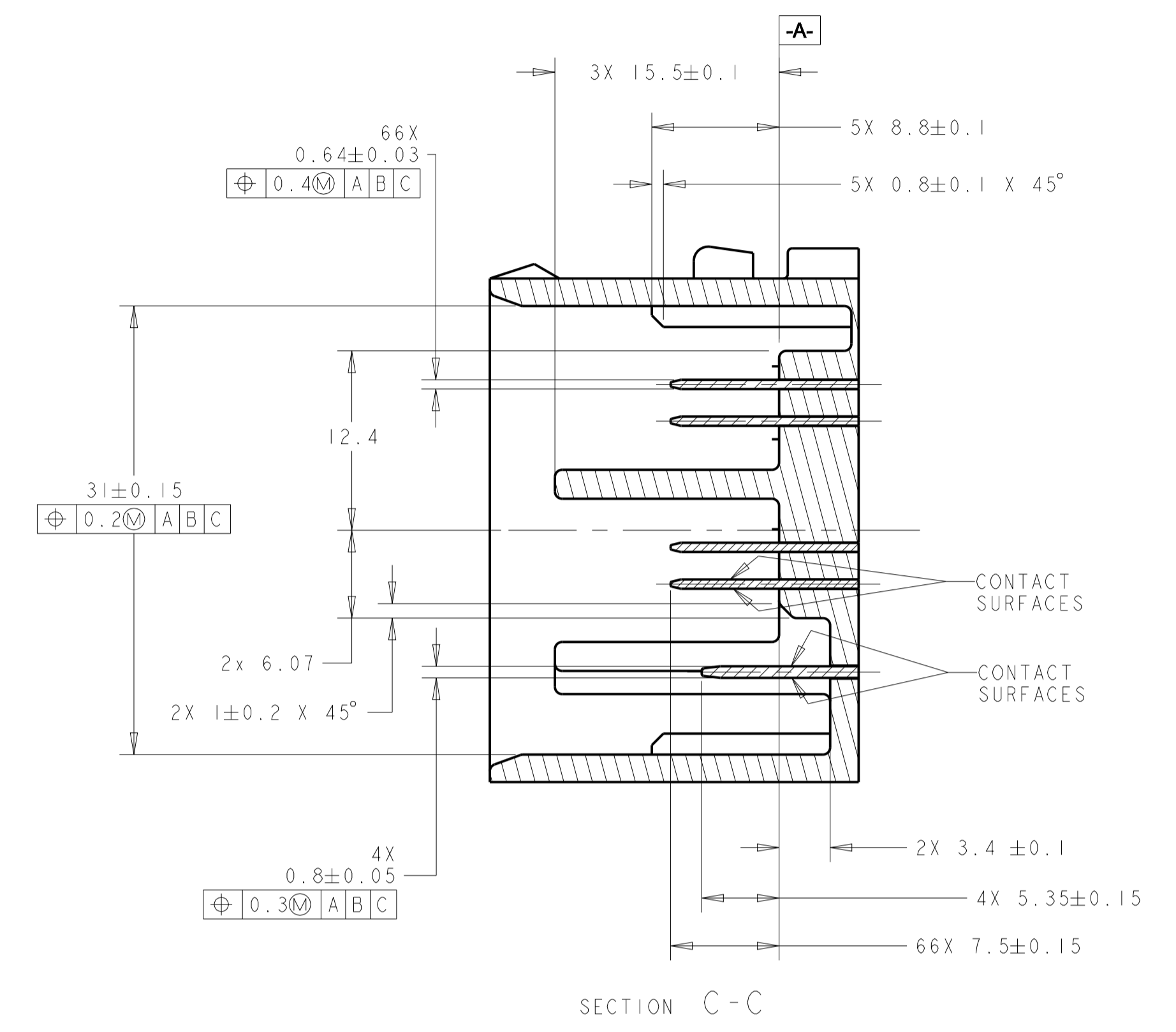
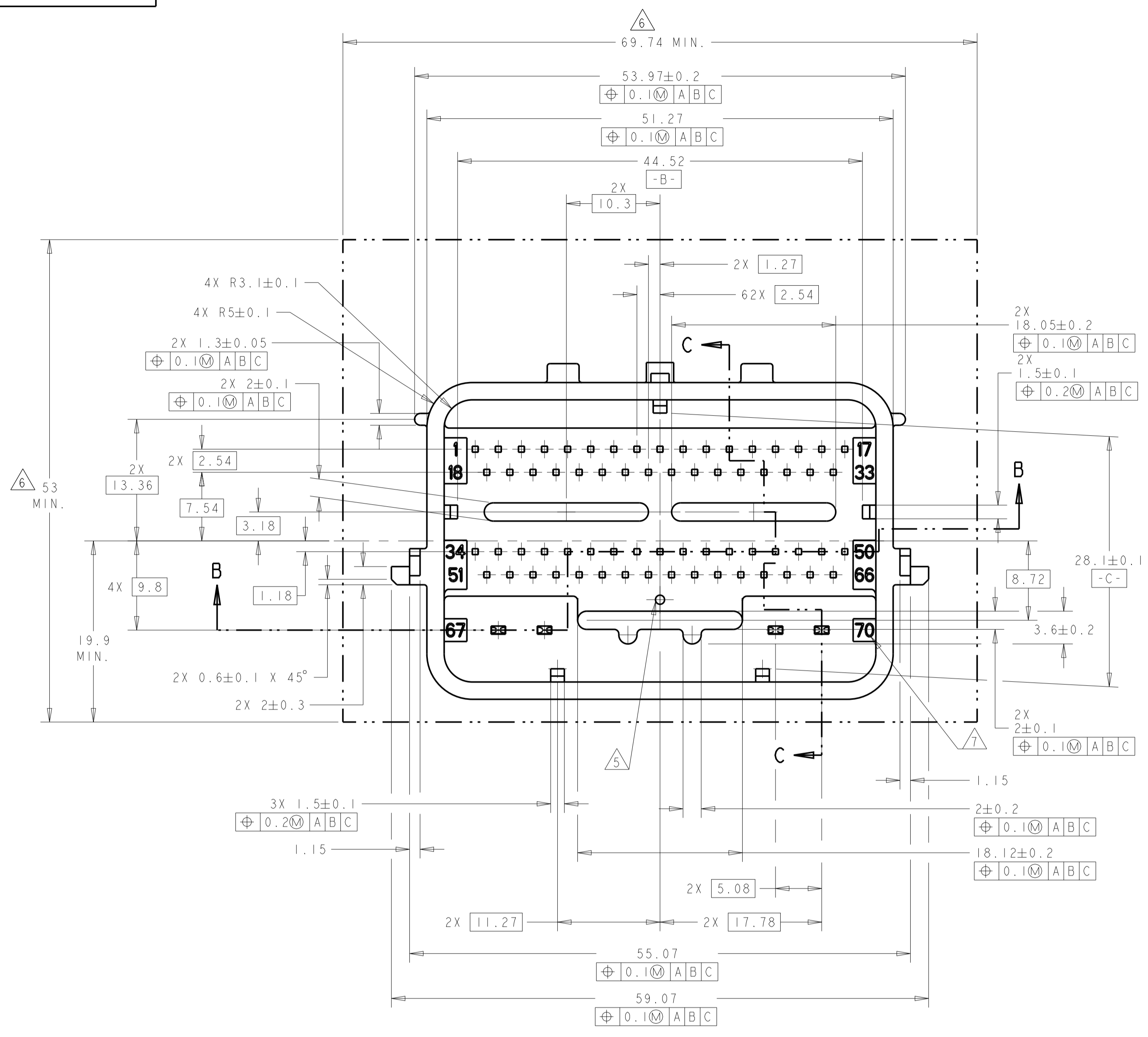




REVISIONS				
REV	DATE	BY	APPV	DESCRIPTION
-	-	-	-	SEE SHEET 1



SCALE 2:1

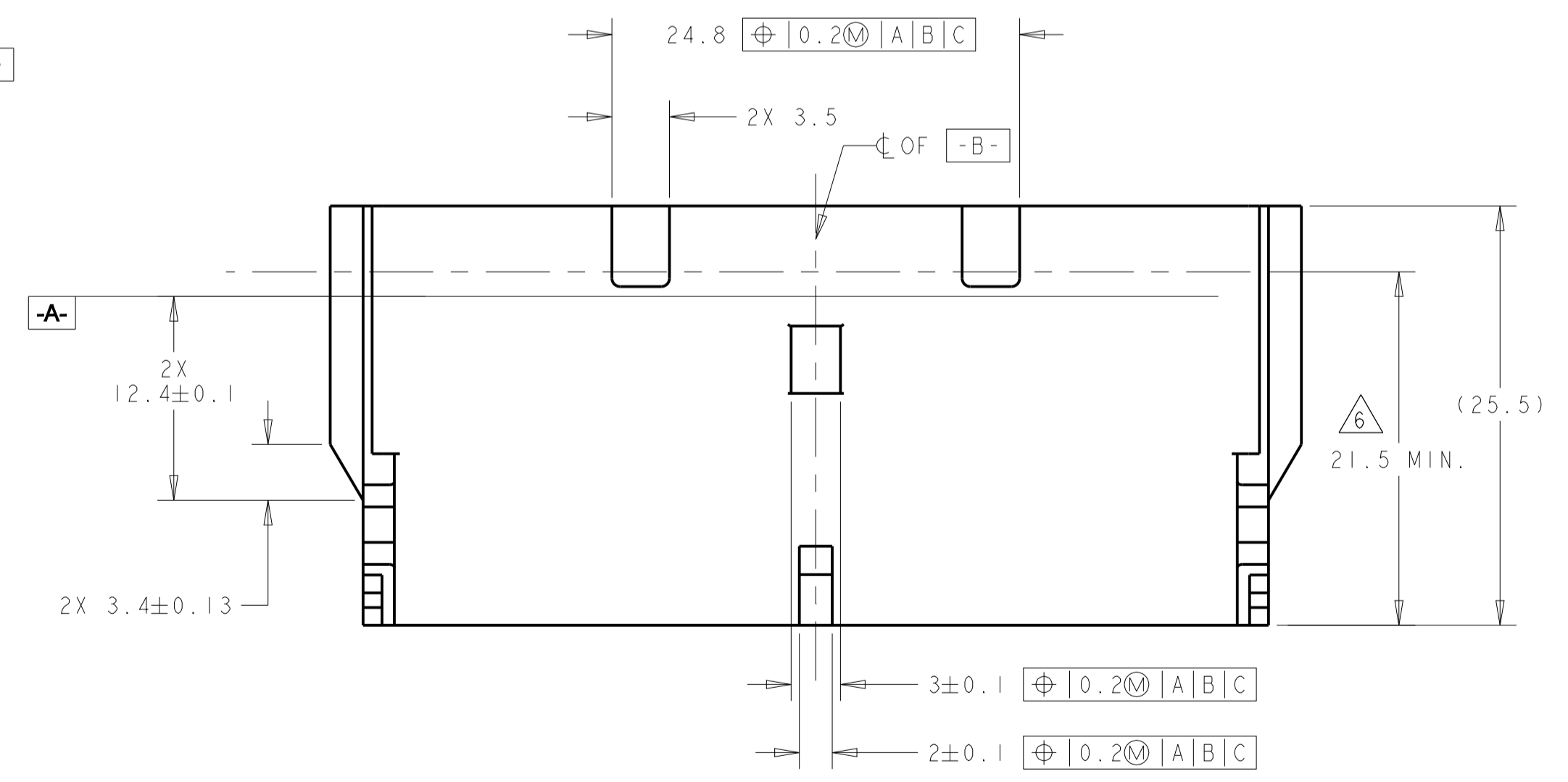
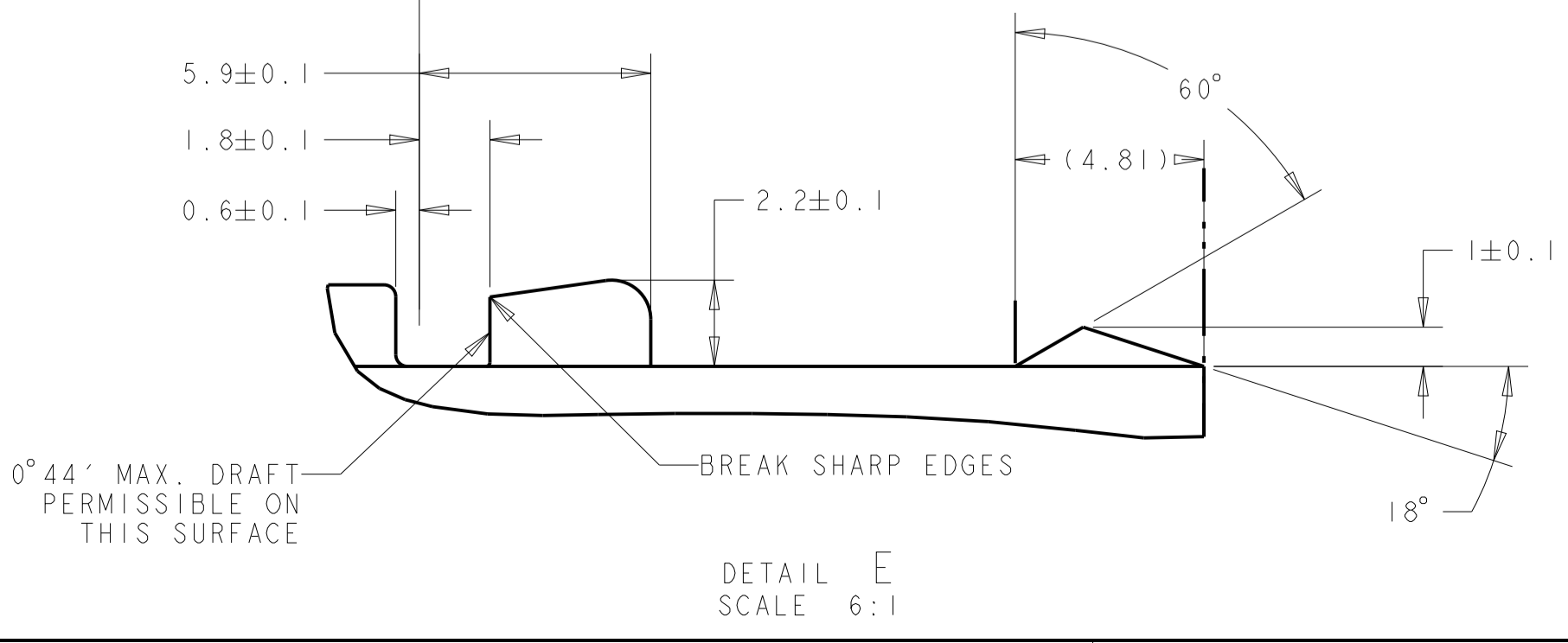
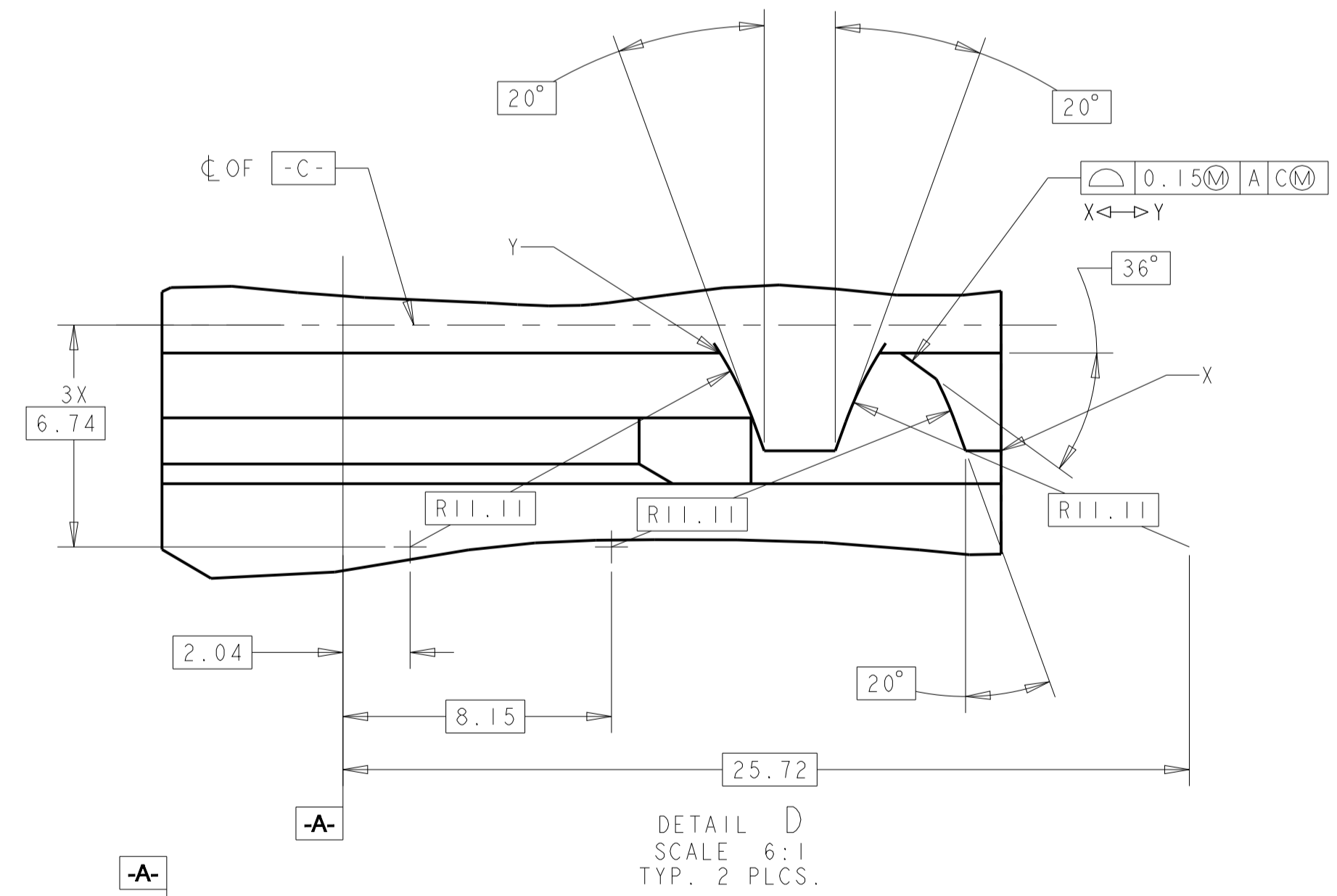
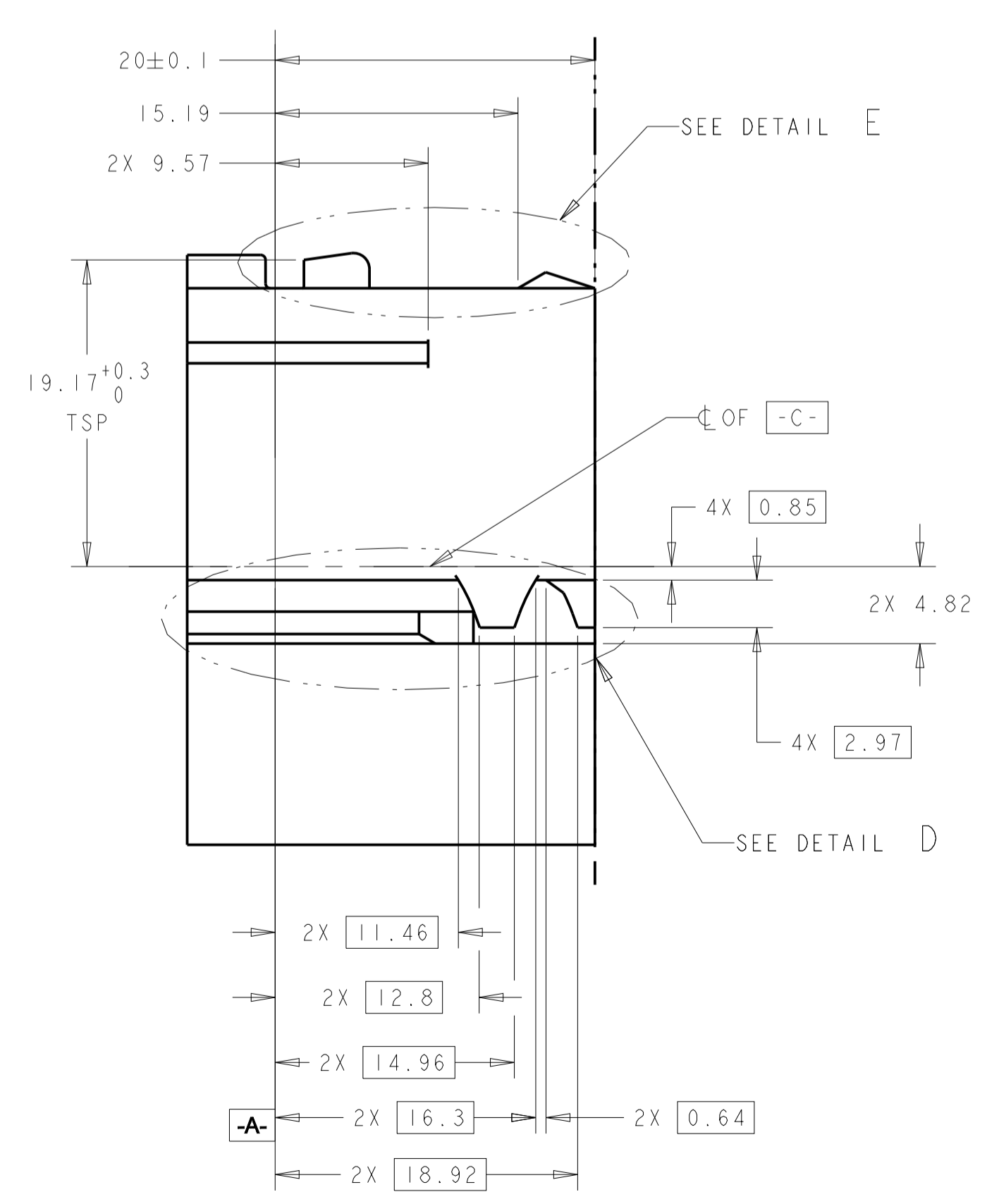
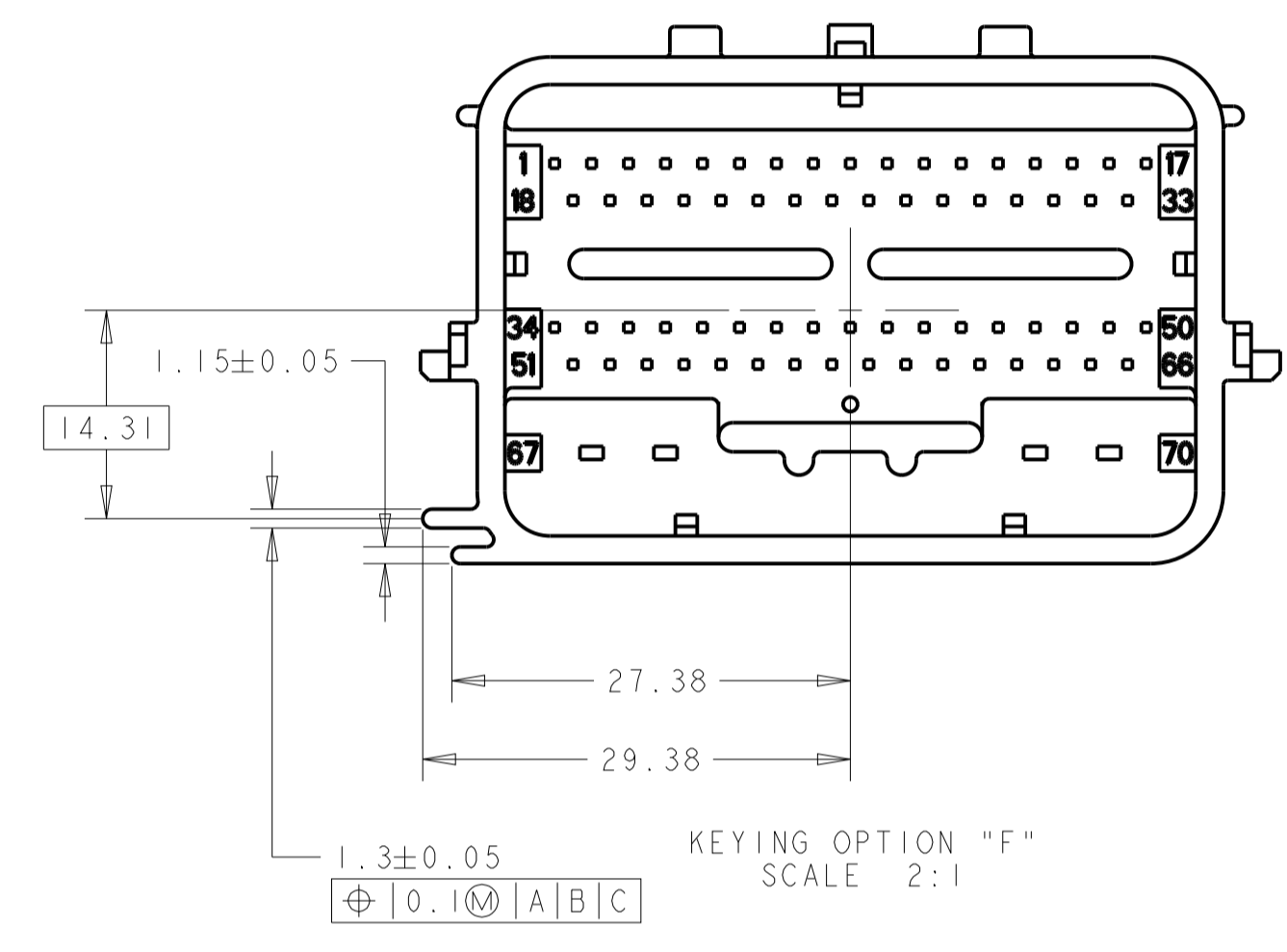
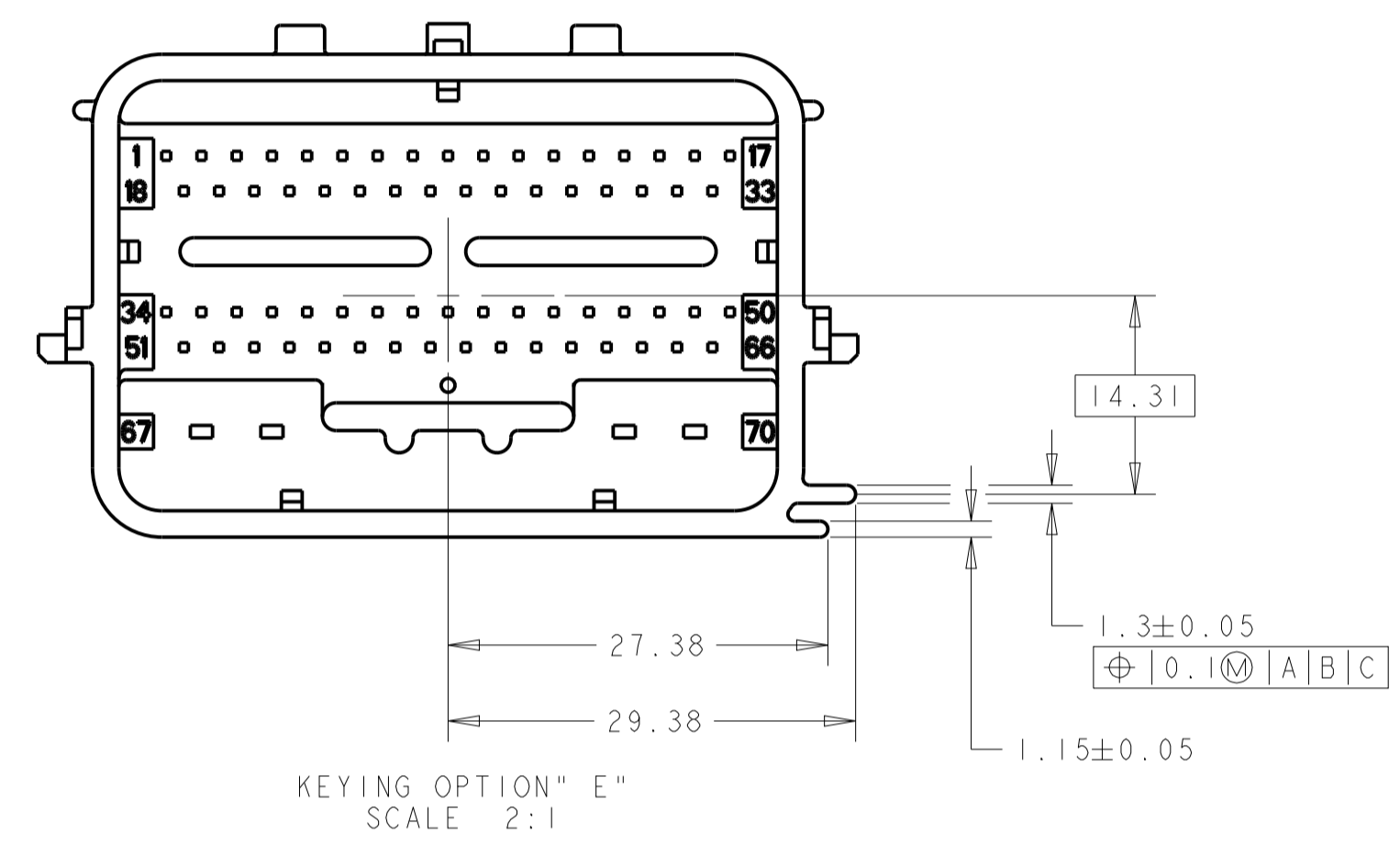
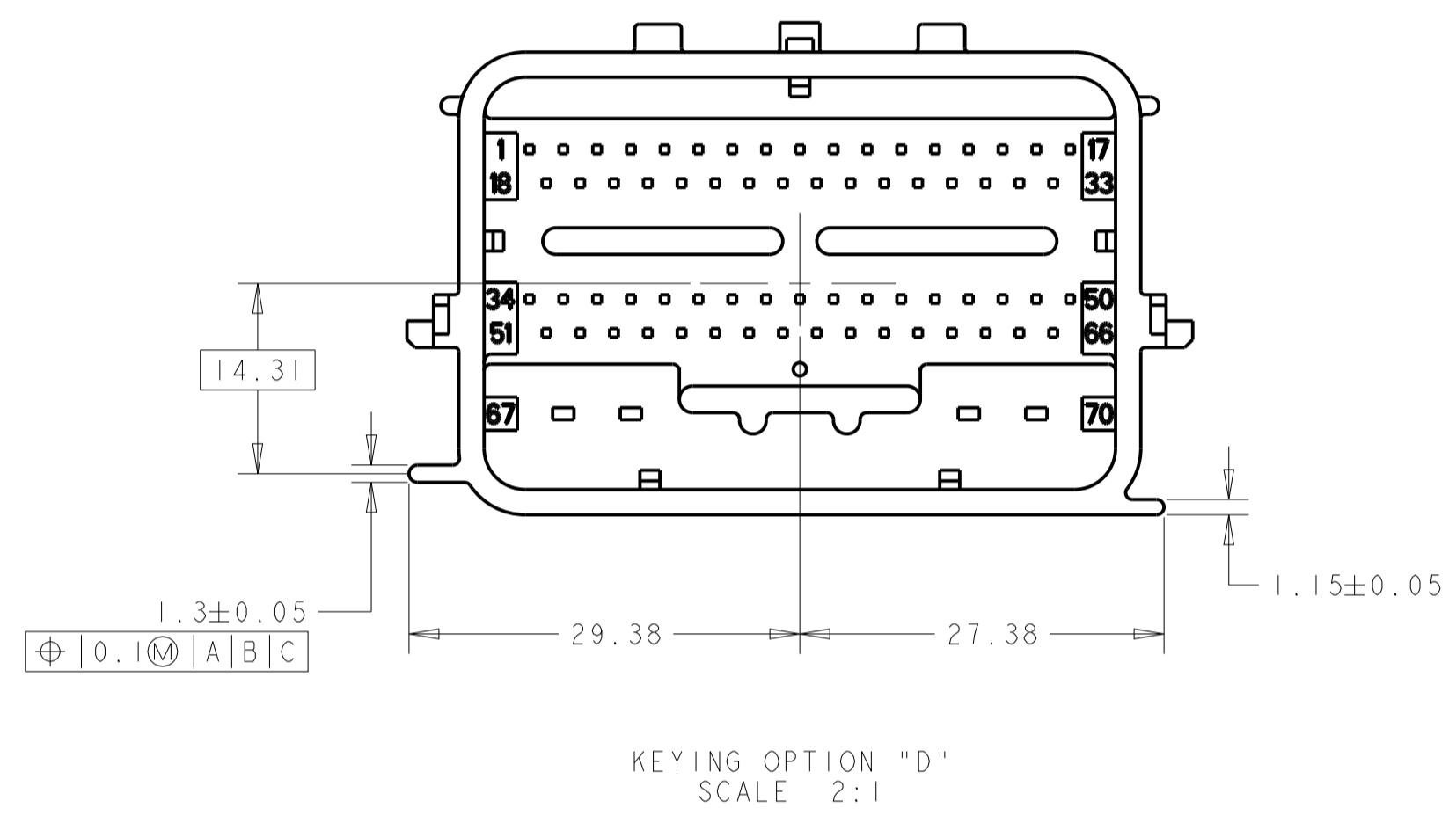
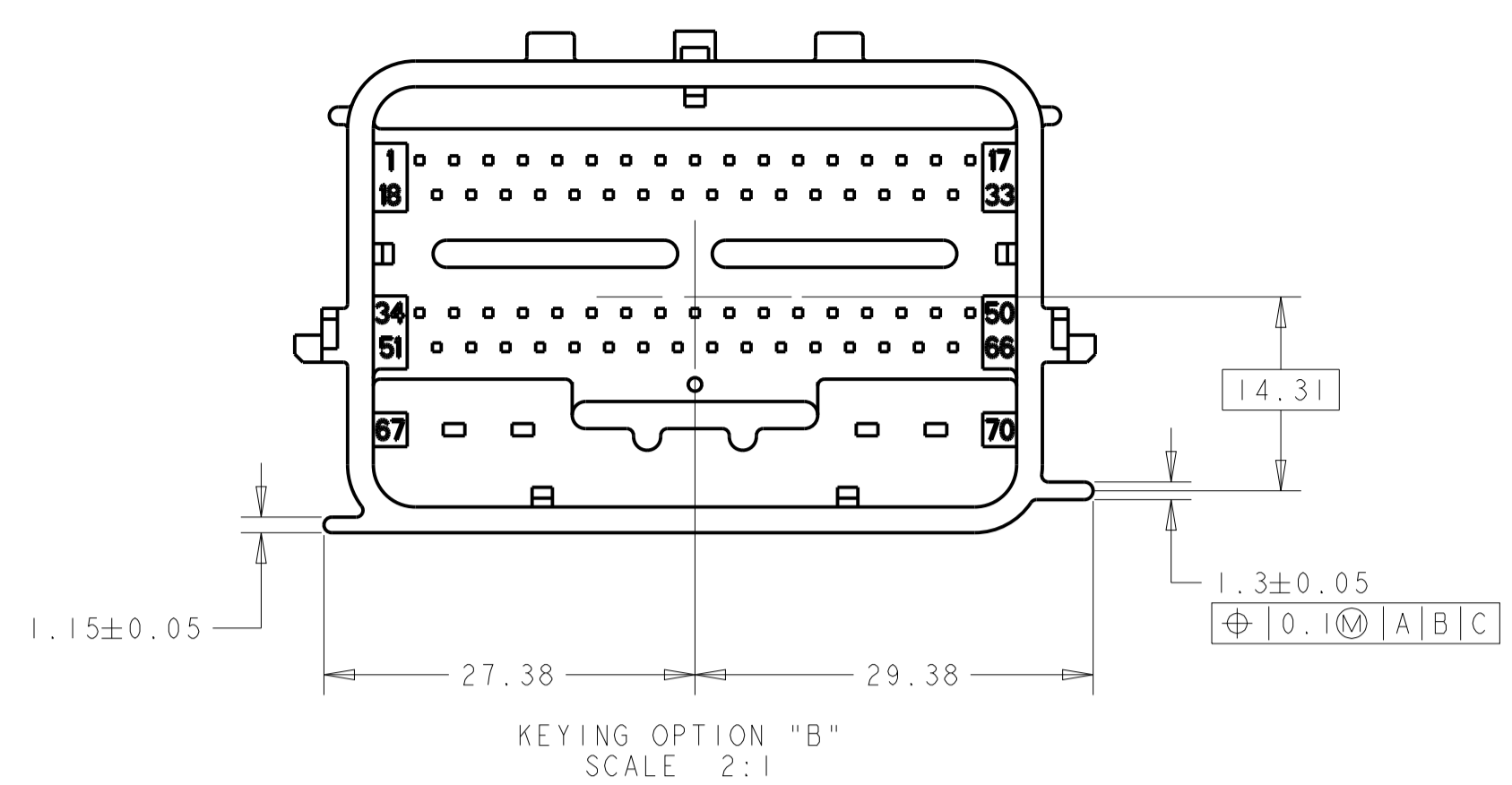
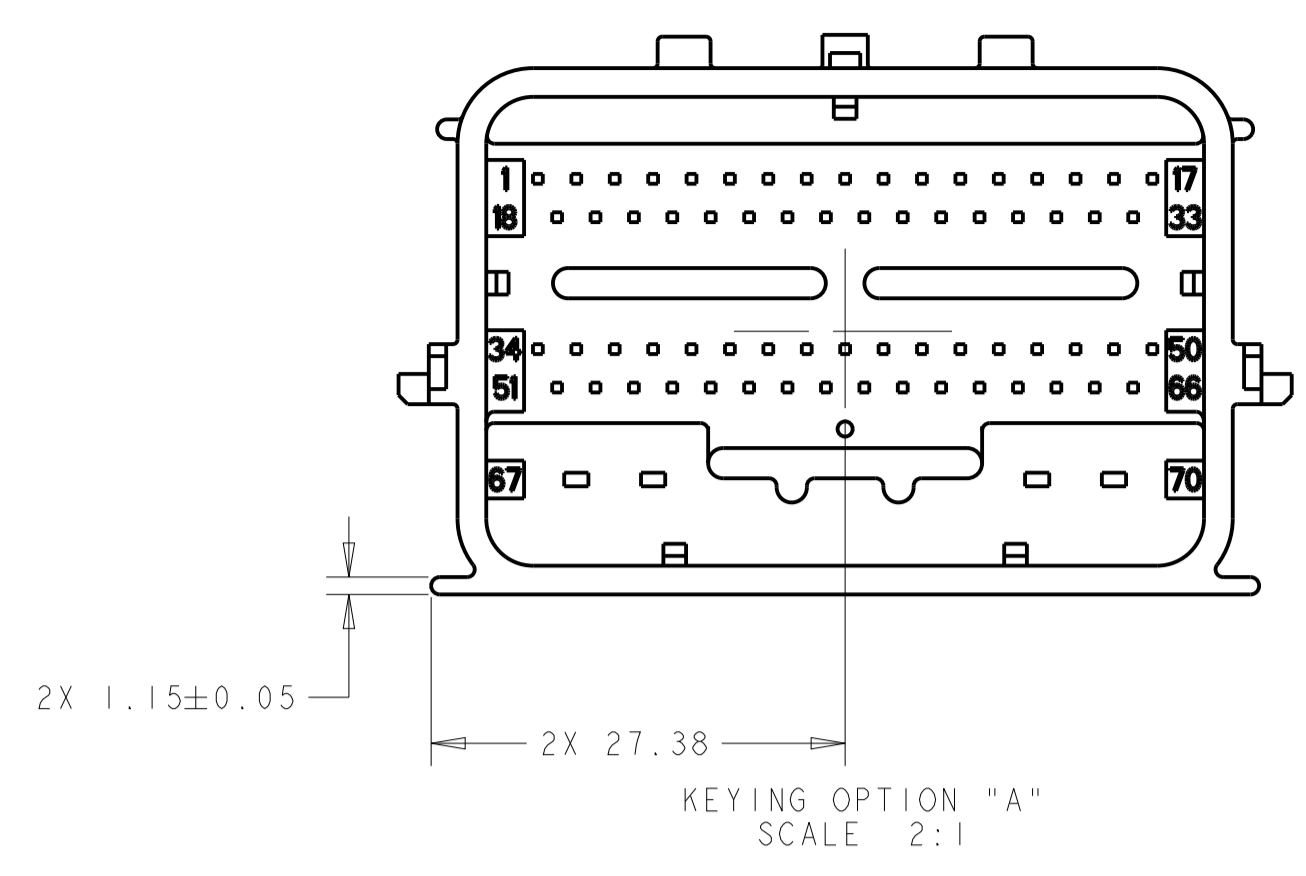


- NOTES: UNLESS OTHERWISE SPECIFIED
- GENERAL TOLERANCE:  
 ±0.3 ALL ONE PLACE DIMENSIONS  
 ±0.10 ALL TWO PLACE DIMENSIONS  
 ±1°00' ALL ANGULAR DIMENSIONS
  - DRAFT ANGLE PERMISSIBLE ONLY WITHIN DRAWING TOLERANCE.
  - SEALING SURFACE, NO WITNESS LINES OF DAMAGE PERMITTED.
  - ALL UNMARKED RADIUS TO BE 0.5 MAX., UNLESS OTHERWISE SPECIFIED
  - VENT HOLE SIZE AND LOCATION IS OPTIONAL.
  - THIS AREA TO REMAIN CLEAR FOR THE HARNESS ASSEMBLY.
  - TERMINAL POSITION IDENTIFICATION.
  - MATES WITH TYCO ELECTRONICS PART# 1438136-\*

THIS DRAWING IS A CONTROLLED DOCUMENT.		OWN: R. VESTAL 15APR2005	TE Connectivity										
DIMENSIONS: mm		CHK: T. VALASEK 15APR2005											
TOLERANCES UNLESS OTHERWISE SPECIFIED:		APVD: T. VALASEK 15APR2005	NAME: 70-WAY HARNESS ASSEMBLY										
<table border="1"> <tr><td>0 PLC</td><td>±</td></tr> <tr><td>1 PLC</td><td>±0.3</td></tr> <tr><td>2 PLC</td><td>±0.10</td></tr> <tr><td>3 PLC</td><td>±</td></tr> <tr><td>4 PLC</td><td>±</td></tr> </table>		0 PLC	±	1 PLC	±0.3	2 PLC	±0.10	3 PLC	±	4 PLC	±	PRODUCT SPEC	SIZE: CAGE CODE: DRAWING NO:
0 PLC	±												
1 PLC	±0.3												
2 PLC	±0.10												
3 PLC	±												
4 PLC	±												
MATERIAL: -		APPLICATION SPEC	RESTRICTED TO: -										
FINISH: -		WEIGHT: -	A100779C=1438136										
CUSTOMER DRAWING		SCALE: 2:1	SHEET 10 OF 11 REV: 647										

# HEADER INTERFACE KEYING OPTIONS

REVISIONS				
P.	LTN.	DESCRIPTION	DATE	OWN. APVD.
-	-	SEE SHEET 1	-	-



THIS DRAWING IS A CONTROLLED DOCUMENT.		OWN: R. VESTAL 15APR2005	TE Connectivity
DIMENSIONS: mm		CHK: T. VALASEK 15APR2005	
TOLERANCES UNLESS OTHERWISE SPECIFIED:		APVD: T. VALASEK 15APR2005	NAME: 70-WAY HARNESS ASSEMBLY
0 PLC ±0.3	1 PLC ±0.10	PRODUCT SPEC	SIZE: CAGE CODE DRAWING NO.
2 PLC ±0.10	3 PLC ±0.10	APPLICATION SPEC	RESTRICTED TO
4 PLC ±0.10	ANGLES ±0.1°	WEIGHT	A100779C=1438136
MATERIAL	FINISH	CUSTOMER DRAWING	SCALE 2:1 SHEET 11 OF 11 REV 647

# Mouser Electronics

Authorized Distributor

Click to View Pricing, Inventory, Delivery & Lifecycle Information:

[TE Connectivity:](#)

[4-1438136-3](#)