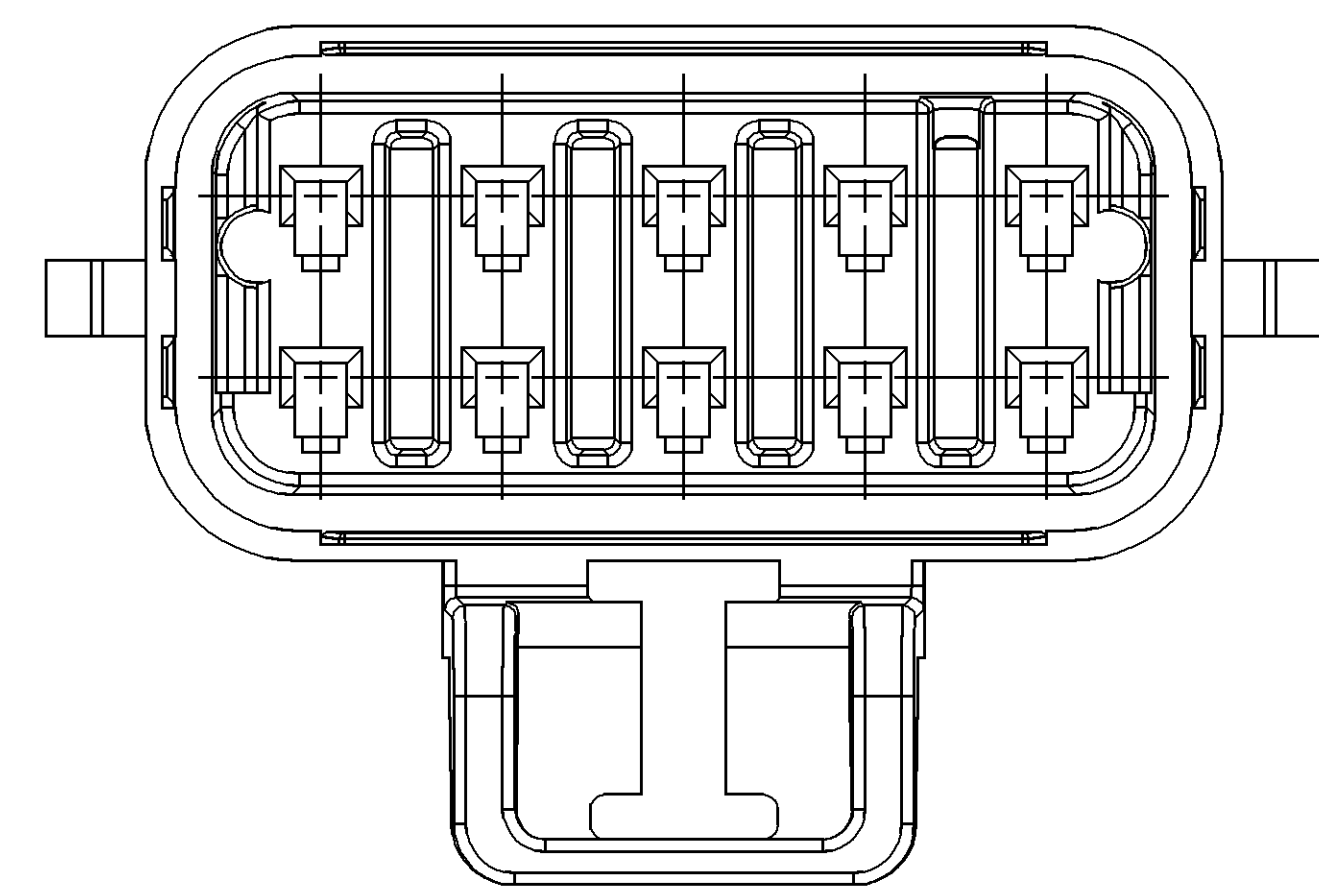
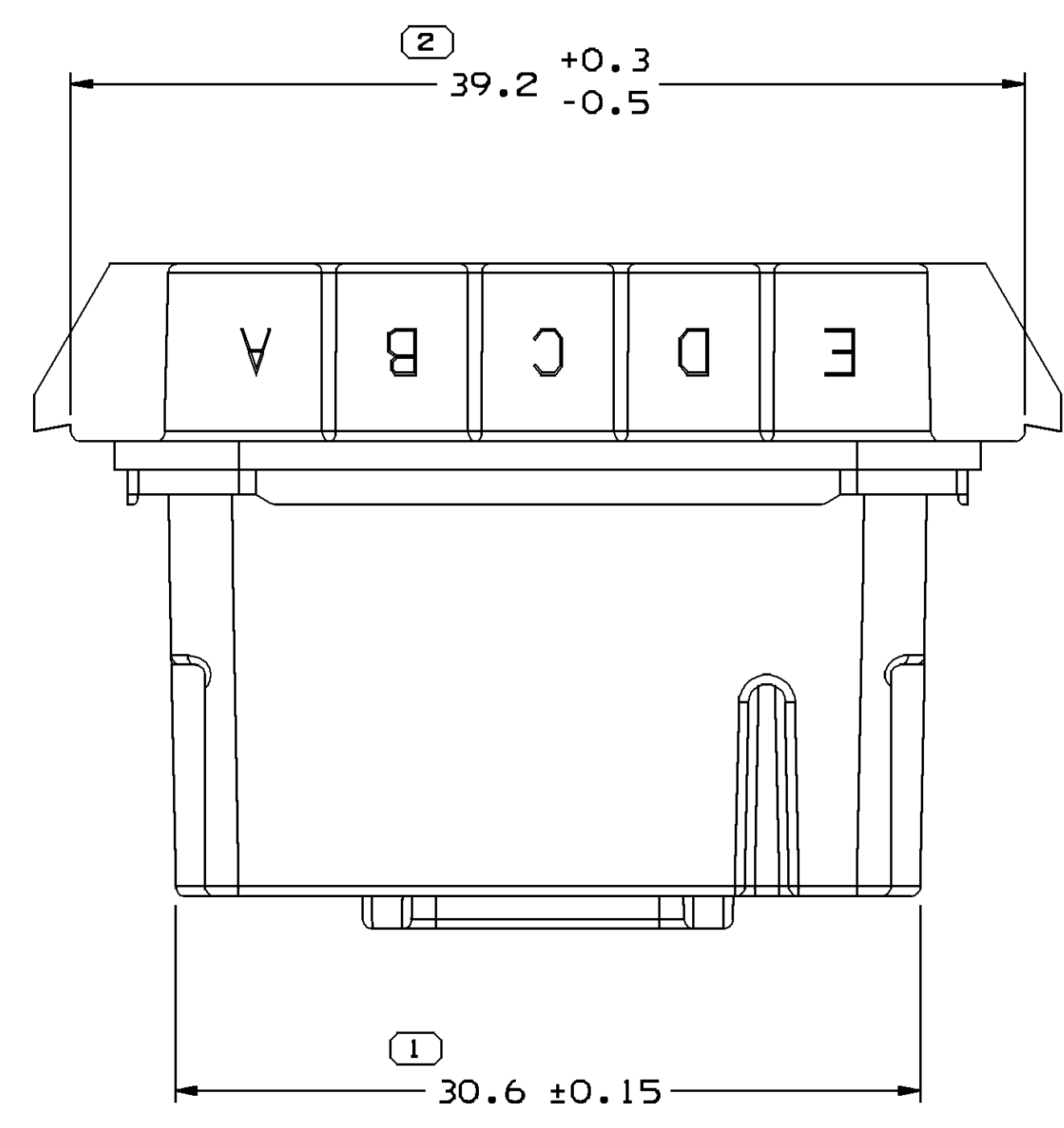
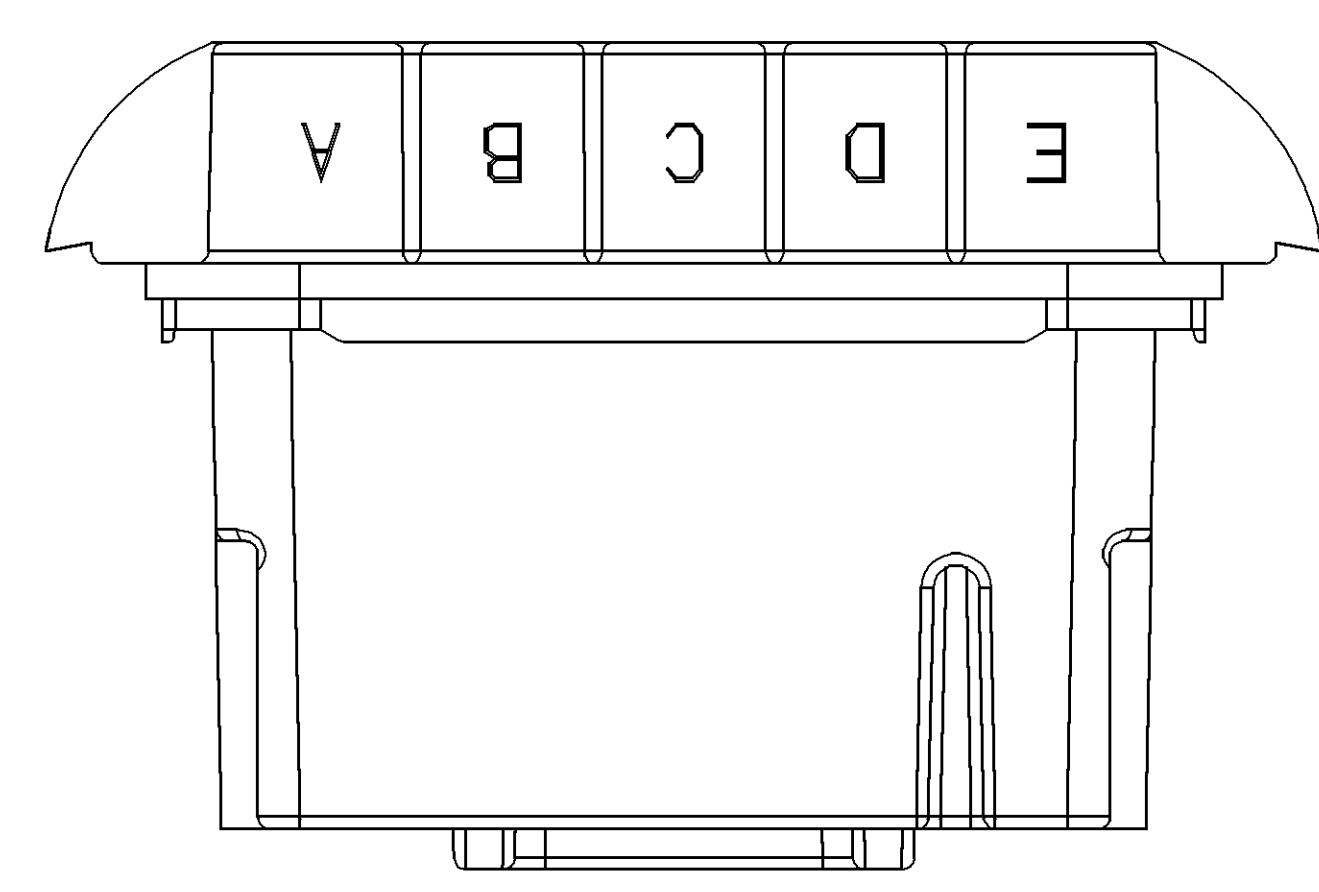
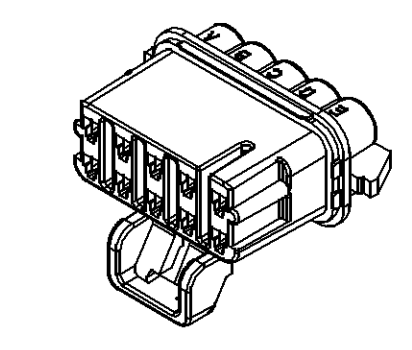
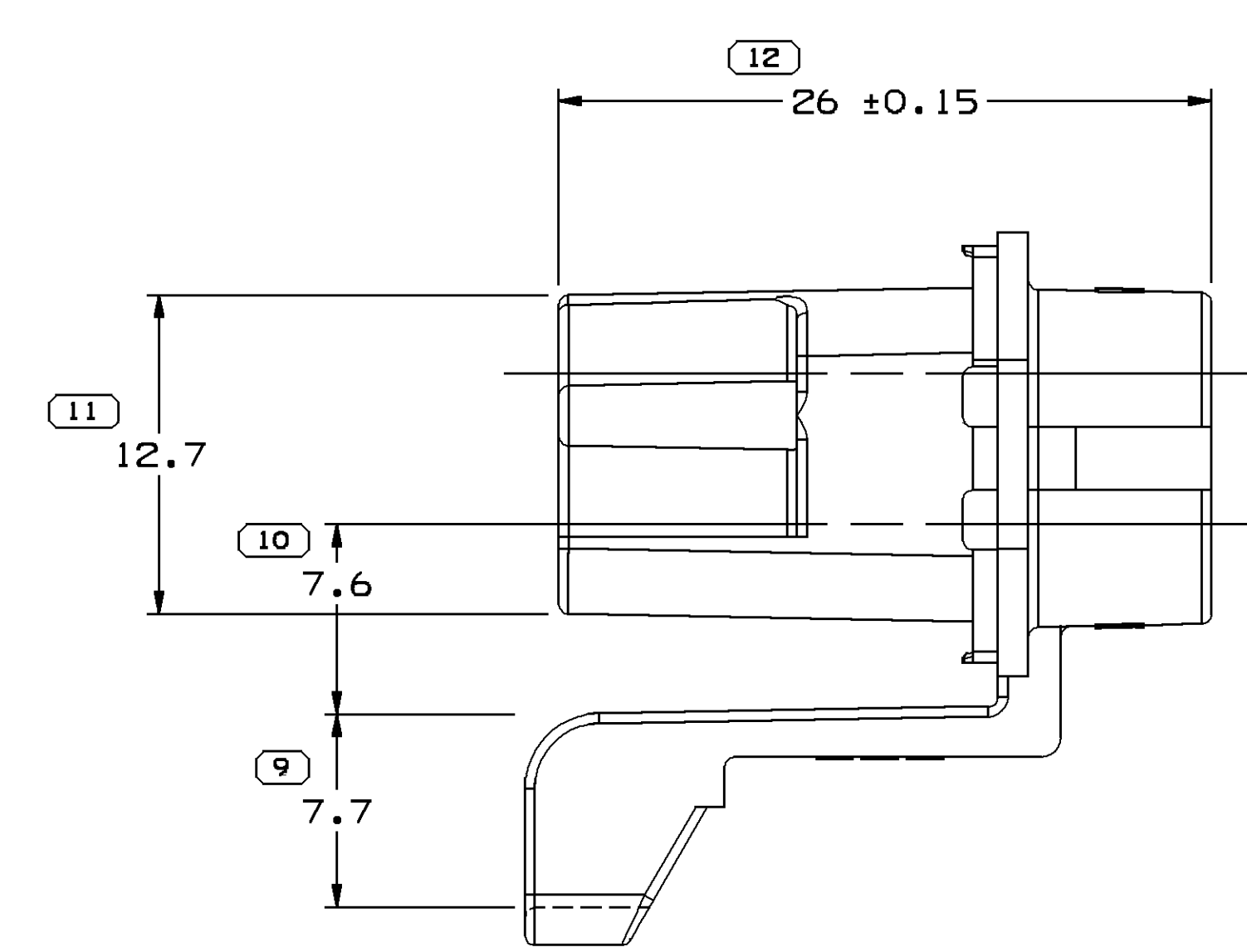
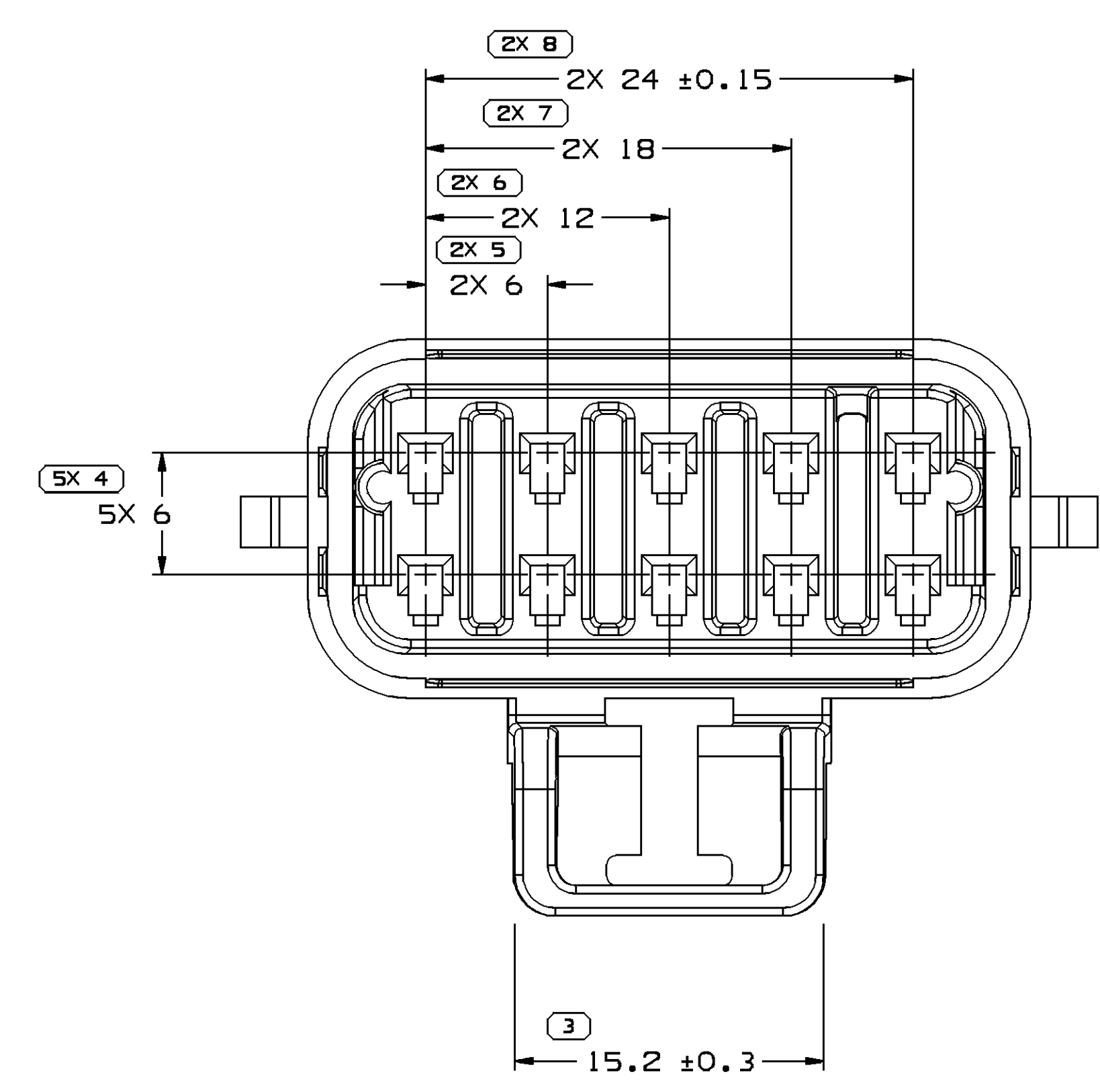


SYMBOL DEFINITION		TOTAL NO OF INSPECTIONS REQUIRED	
A DIMENSION WITHOUT AN INSPECTION REPORT SYMBOL () DOES NOT REQUIRE INSPECTION. IT MAY BE CONTROLLED ON THE INDIVIDUAL COMPONENT DRAWING.		20	
	LAST NO. USED	12	

DWG STATUS				MISSING SYMBOLS				REVISION HISTORY				AUTH		DR		AP/VD	
DATE	STG	REV	N/P	CHK	ZONE	NO MISSING SYMBOL NUMBER											
22MR00	R	K1	-	-						REDRAWN TO PD	000009	DAA	EAR	0MC			
20AP06	R	K2	-	-						TPA 12177082 WAS 12045810 IN NOTES	279083	8PS	AUG	8DS	M		



OPTIONAL CONSTRUCTION



- NOTES
- UNLESS OTHERWISE SPECIFIED AND/OR INDICATED:
DIMENSIONS ARE TO FACE OF VIEW SHOWN AND AUTOMATICALLY ROUNDED BY COMPUTER FOR INSPECTION (SEE MATH MODEL FOR PRECISE DIMENSIONS). FOR ALL OTHER DIMENSIONS NOT SHOWN BUT REQUIRED FOR TOOL BUILD, SEE MATH MODEL FOR PRECISE TOOL PATH DATA.
 - REFERENCE MATING COMPONENTS OR EQUIVALENT:
CONNECTOR 12045808
 - THIS PART ACCEPTS THE FOLLOWING COMPONENTS OR EQUIVALENT:
TERMINAL 12048074
TERMINAL POSITION ASSURANCE LOCK 12177082
 - MATERIAL RECYCLING CODE PER ISO 11469. (2,3)X(0,1) CHARACTERS AS SHOWN TO BE LOCATED ON ANY EXTERIOR SURFACE. OPTIONAL CONSTRUCTION TO BE NO MATERIAL RECYCLING CODE.
 - (2,3)X(0,1) DELPHI CORPORATE BRAND TO BE LOCATED ON ANY EXTERIOR SURFACE, PREFERABLY VISIBLE AT FINAL ASSEMBLY. OPTIONAL CONSTRUCTION FOR EXISTING TOOLING MAY BE "PED".

DIMENSIONAL RANGE (MM)		SHORT ET	
FROM	> 0	> 30	> 100
TO	20	70	100
	100	150	200
	200	250	300
	300	400	
TOLERANCE UNLESS OTHERWISE SPECIFIED:			
	±0.15	±0.2	±0.3
	±0.3	±0.4	±0.5
	±0.5	±0.6	±0.8
	±1	±1.2	
ANGULAR TOLERANCE 2°			

DELPHI
DELPHI PACKARD ELECTRIC SYSTEMS
WYREN, OH

DR	DATE
APV01 J.A. BENITEZ	12MY88
APV02 F. HESTON	28JN88
APV03 G. VANDERLAAN	09AUB8
APV04	
APV05	

UNLESS OTHERWISE SPECIFIED
THIS DOCUMENT IS IN ACCORDANCE WITH ASME Y14.5M-1994
AS MODIFIED BY THE IN CHARGE, DIMENSIONING AND
TOLERANCING MANUAL (1997). ALL DIMENSIONS UNLESS
OTHERWISE SPECIFIED SHALL BE IN MILLIMETERS AND
RELATED DATUMS APPLY. FILE # (UNLESS NOTED) SHALL
BE LOCATED ON ANY EXTERIOR SURFACE. DIMENSIONS
ARE ESTABLISHED BY ORIENTATION OR LOCATION TOLERANCES.
SPACED POSITION CALLOUTS MAY BE SHOWN SEPARATELY,
REGARDLESS OF DATUM REFERENCE.
ALL DIMENSIONS ARE IN MILLIMETERS.

SCALE	FRAME NO	SHEET NO	REV	N/P
4:1	1	1 OF 1	R	K2

DRAWING NAME
CONN 10 F M/P 150 BLK SEALED

DRAWING NUMBER
12045809

Mouser Electronics

Authorized Distributor

Click to View Pricing, Inventory, Delivery & Lifecycle Information:

[Aptiv:](#)

[12045809](#)