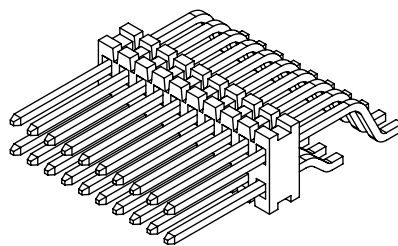


NOTES:

1. $\text{\textcircled{C}}$ REPRESENTS A CRITICAL DIMENSION.
2. SHEAR TAILS TO DIMENSION SHOWN.
3. MAXIMUM BURR: .003[0.08].
4. MAXIMUM CUT FLASH: .015 [0.38].
5. NO FLASH ALLOWED IN OR AROUND SURFACE MOUNT TAIL AREA.
6. MINIMUM PUSHOUT FORCE: .5 LB.
7. MINIMUM ENDWALL THICKNESS: .008 [0.20].

DO NOT SCALE FROM THIS PRINT



FTE-1XX-XX-X-DH-X-XX

No OF POSITIONS
-05 THRU -50
(PER ROW)

LEAD STYLE
-01: .075 POST
-02: .175 POST
-03: .120 POST

OPTION 2
-TR: TAPE & REEL PACKING
(SEE FIG 3, SHEET 2)

OPTION 1
-K: POLYIMIDE FILM PAD
(USE K-500-300,
SEE FIG 4, SHEET 2)

ROW SPECIFICATION
-DH: DOUBLE HORIZONTAL
(USE FTE-90-D)

PLATING SPECIFICATION

-G: 10 μ " SELECTIVE GOLD IN CONTACT AREA,
3 μ " SELECTIVE GOLD ON TAIL.

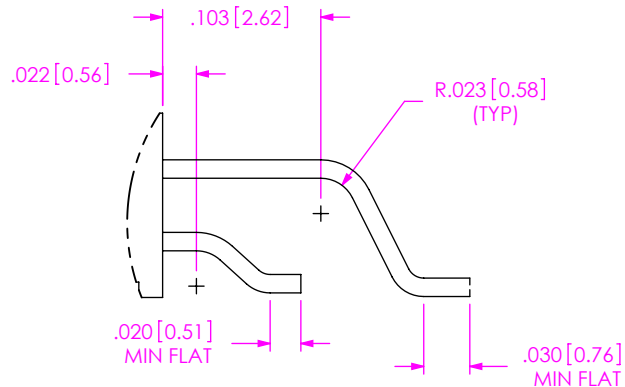
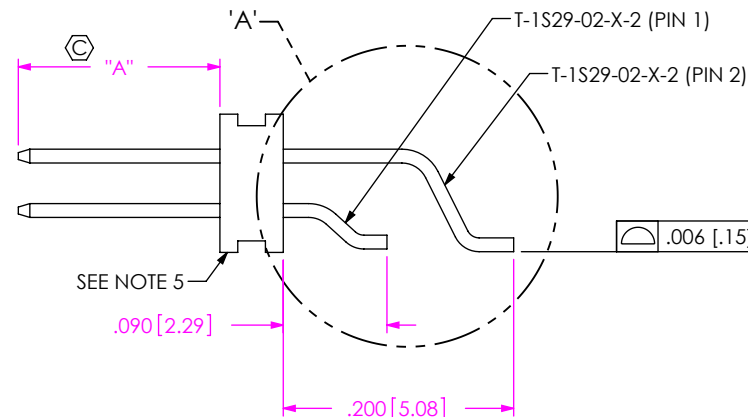
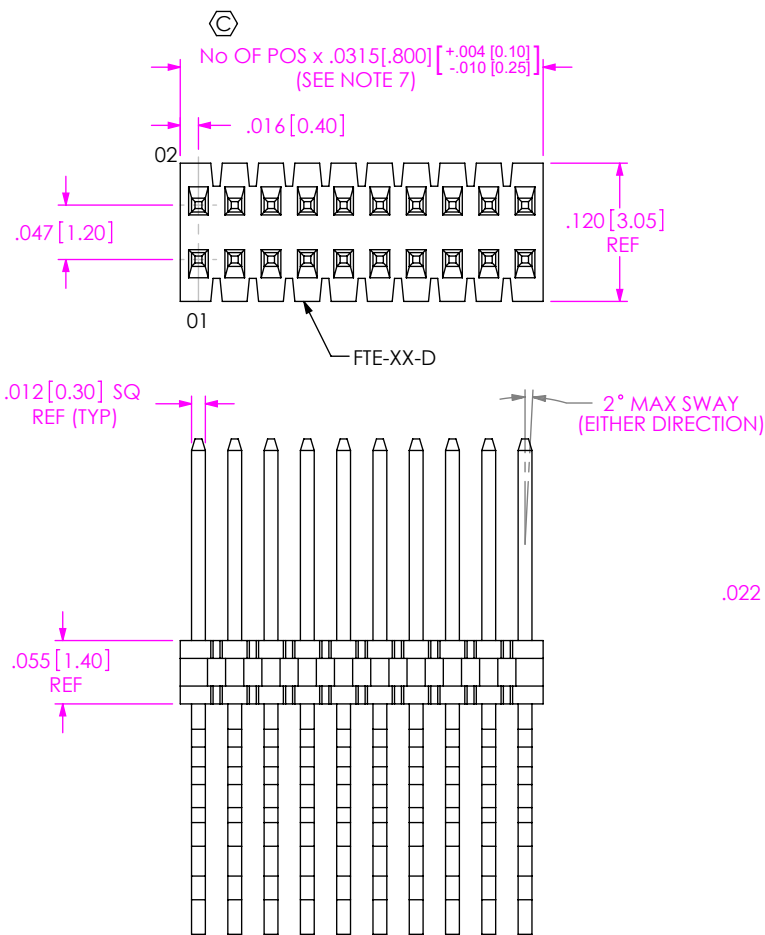


TABLE 1	
LEAD STYLE	"A"
-01	.075[1.91]
-02	.175[4.45]
-03	.120 [3.05]

FIG 1
FTE-110-02-X-DH SHOWN

DETAIL 'A'
SCALE 8:1

UNLESS OTHERWISE SPECIFIED,
DIMENSIONS ARE IN INCHES.
TOLERANCES ARE:
DECIMALS ANGLES
.XX: $\pm .01$ [0.3] 2°
.XXX: $\pm .005$ [0.13]
.XXXX: $\pm .0020$ [0.051]

PROPRIETARY NOTE
* THIS DOCUMENT CONTAINS CONFIDENTIAL AND PROPRIETARY INFORMATION AND ALL DESIGN, MANUFACTURING, REPRODUCTION, USE, PATENT RIGHTS AND SALES RIGHTS ARE EXPRESSLY RESERVED BY SAMTEC, INC. THIS DOCUMENT SHALL NOT BE DISCLOSED, IN WHOLE OR PART, TO ANY UNAUTHORIZED PERSON OR ENTITY NOR REPRODUCED, TRANSFERRED OR INCORPORATED IN ANY OTHER PROJECT IN ANY MANNER WITHOUT THE EXPRESS WRITTEN CONSENT OF SAMTEC, INC. *



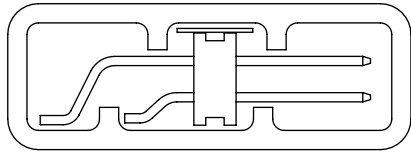
520 PARK EAST BLVD., NEW ALBANY, IN 47150
PHONE: 812-944-6733 FAX: 812-948-5047
e-Mail: info@SAMTEC.com code 53322

MATERIAL: DO NOT SCALE DRAWING SHEET SCALE: 3:1
BODY: LCP, UL 94 V0, COLOR: BLACK
TERMINAL: PHOS BRONZE

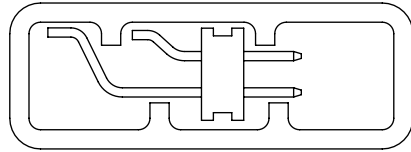
DESCRIPTION: .8MM X 1.2MM C.L. TERMINAL STRIP ASSM

DWG. NO. FTE-1XX-XX-X-DH-X-XX

BY: D. PURVIS 10/13/1998 SHEET 1 OF 2

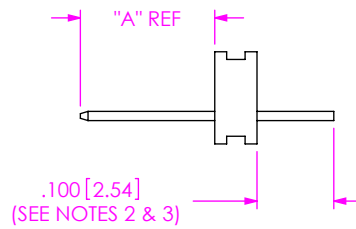


OPTIONS: -02, -03, -02-K, -03-K

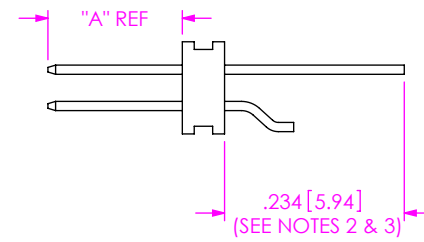


OPTIONS: -01, -01-K

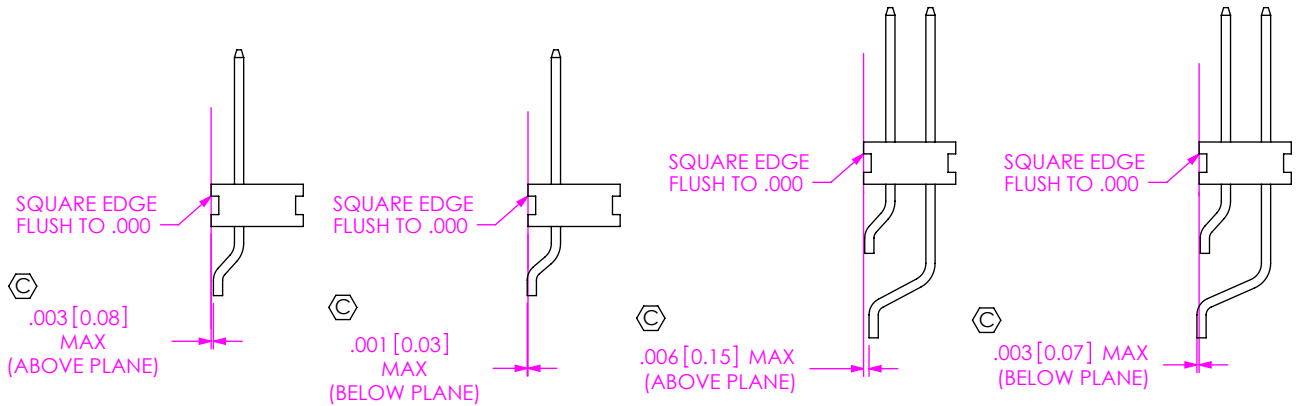
FIG 2
TUBE: PT-FTE003-DH
PLUG: TP-12



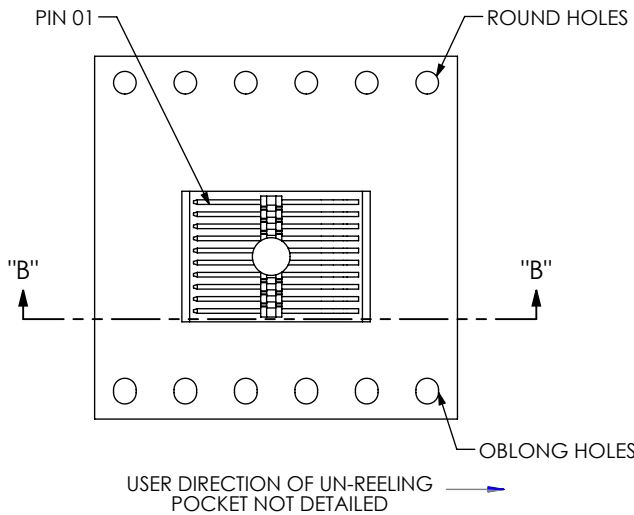
IN PROCESS 1



IN PROCESS 2



COPLANARITY VIEWS



SECTION "B"- "B"
SCALE 2 : 1

FIG 3
TAPE & REEL

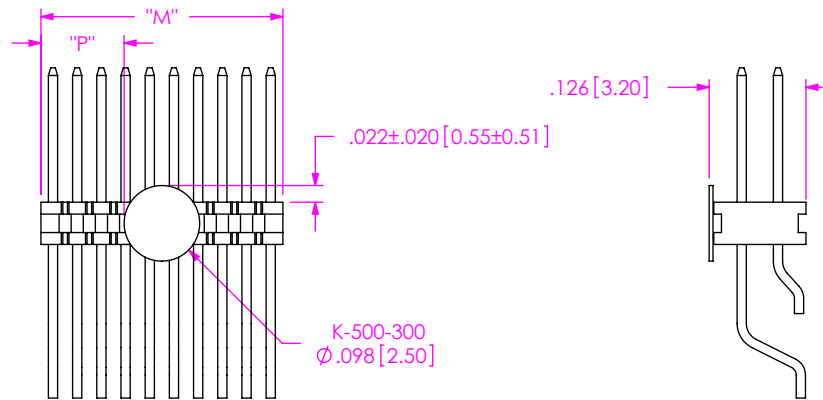


FIG 4
POLYIMIDE FILM PAD
(AVAILABLE ON -05 THRU -50 POS ONLY)

NOTE: "M" = USE MEASURED DIMENSION REF
"P" = (("M" - .098[2.50]) / 2) ±.020[0.51]

PROPRIETARY NOTE
THIS DOCUMENT CONTAINS CONFIDENTIAL AND PROPRIETARY INFORMATION AND ALL DESIGN, MANUFACTURING, REPRODUCTION, USE, PATENT RIGHTS AND SALES RIGHTS ARE EXPRESSLY RESERVED BY SAMTEC, INC. THIS DOCUMENT SHALL NOT BE DISCLOSED, IN WHOLE OR PART, TO ANY UNAUTHORIZED PERSON OR ENTITY NOR REPRODUCED, TRANSFERRED OR INCORPORATED IN ANY OTHER PROJECT IN ANY MANNER WITHOUT THE EXPRESS WRITTEN CONSENT OF SAMTEC, INC.

DO NOT SCALE DRAWING

SHEET SCALE: 4:1



520 PARK EAST BLVD, NEW ALBANY, IN 47150
PHONE: 812-944-6733 FAX: 812-948-5047
e-Mail: info@SAMTEC.com code 55322

DESCRIPTION: .8MM X 1.2MM C.L. TERMINAL STRIP ASSM

DWG. NO. **FTE-1XX-XX-X-DH-X-XX**

BY: D. PURVIS 10/13/1998 SHEET 2 OF 2