

THIS DRAWING IS UNPUBLISHED.

RELEASED FOR PUBLICATION

© COPYRIGHT

ALL RIGHTS RESERVED.

LOC J DIST -

REVISIONS

変更

DESCRIPTION

DATE

DWN

APVD

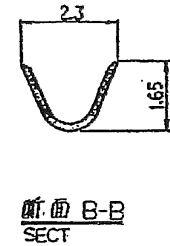
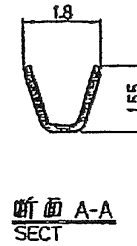
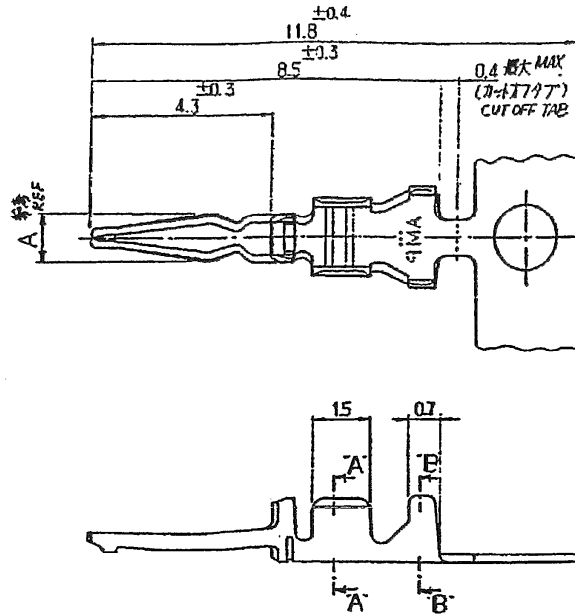
P C2

REVISED PER ECR-14-013099

09DEC2014

NK

GJ



NOTES:

1. APPLICABLE HDR HSG :172520(2.5PITCH)
:172890(2.0PITCH)
 2. PRODUCT SPEC:108-5163
 3. CRIMPING SPEC:114-5062
COMMON APPLICATOR FOR 2/2.5MM PITCH
HDR HSG:P/N 755764-X
EXCLUSIVE APPLICATOR FOR 2.5MM PITCH
HDR HSG:P/N 752829-X
 4. INSTRUCTION SHEET:IS-206J,207J,208J
5. LOOSE PIECE 172797-X SUPERSEDED BY CONTINUOUS 172781-X.

注記

1. 適用ハウジング型番:172520(2.5MMピッチ用)
:172890(2.0MMピッチ用)
2. 製品規格: 108-5163
3. 取付適用規格: 114-5062
2/2.5MMピッチ・ヘッダーハウジング
専用アプリケーター型番: 755764-X
2.5MMピッチ・ヘッダーハウジング
専用アプリケーター型番: 752829-X
4. 取扱説明書: IS-206J,207J,208J

1.2	1 -0.05 DIA	1.2-1.6	5	POST-TINNED BRASS 0.2t 錫めっき仕上黄銅0.2t	172781-4
0.95	0.8 ±0.1 DIA	1.2-1.6	5	POST-TINNED BRASS 0.2t 錫めっき仕上黄銅0.2t	172781-3
1.2	1 -0.05 DIA	1.2-1.6	5	PRE-TINNED BRASS 0.2t	172781-2
0.95	0.8 ±0.1 DIA	1.2-1.6	5	錫めっき済黄銅0.2t	172781-1
A REF	APPLICABLE PCB HOLE AND THK	LOOSE PIECE CONTACT P/N	MATERIAL	PART NO.	
参考 A寸法	適用基板穴径と板厚	バラ状端子型番	材料	型番	

THIS DRAWING IS A CONTROLLED DOCUMENT.

DIMENSIONS: 単位: 純 mm	TOLERANCES UNLESS OTHERWISE SPECIFIED: 一般公差	DWN J.SATO 120CT05	TE Connectivity LOW PROFILE MINI AMP-IN CONTACT
	10 ≤ ± 0.2	CHK N.YAMASAKI 120CT05	
	10 < ≤ 30 ± 0.25	APVD N.YAMASAKI 120CT05	
	30 < ≤ 100 ± 0.3	NAME 名称	
ANGLES ± 5°	FINISH 仕上	PRODUCT SPEC 製品規格	RESTRICTED TO
MATERIAL 材料	SEE TABLE	APPLICATION SPEC 取付適用規格	SIZE A3
		WEIGHT	CAGE CODE 00779
		CUSTOMER DRAWING	DRAWING NO 番号 172781
			SCALE 尺度
			SHEET 1 OF 1
			REV C2

Mouser Electronics

Authorized Distributor

Click to View Pricing, Inventory, Delivery & Lifecycle Information:

[TE Connectivity:](#)

[172781-3](#) [172781-3 \(Loose Piece\)](#)