

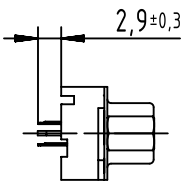
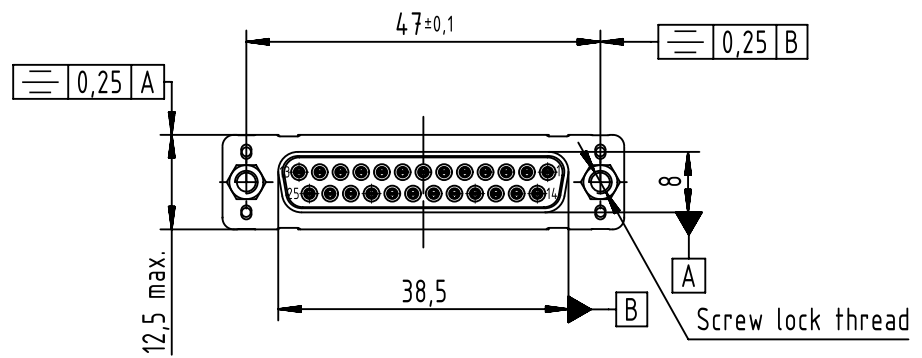
1 2 3 4 5 6

A

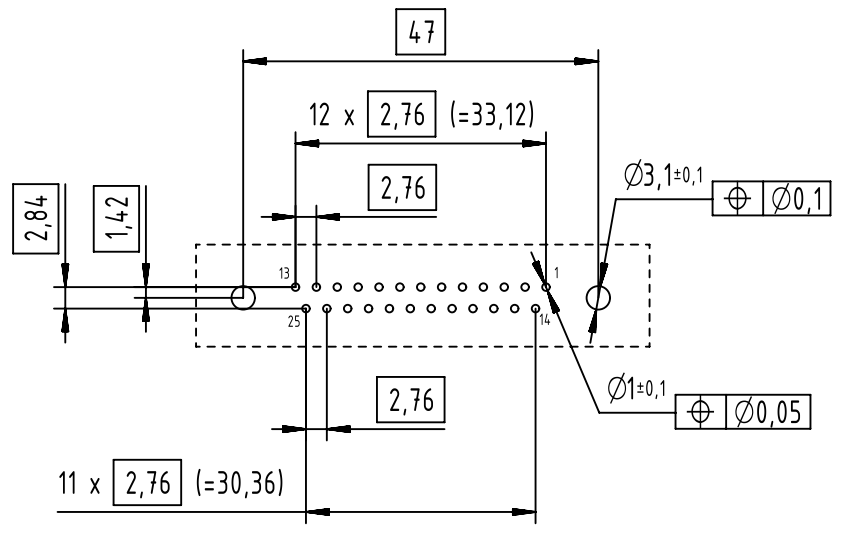
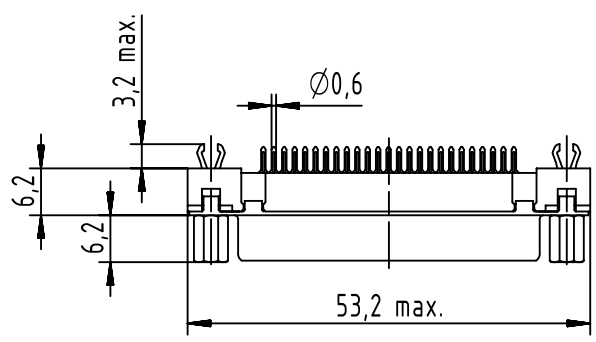
B

C

D



PC-Board layout
view component side
thickness 1,6 mm



Connection retention and insertion forces on PC-Board: 25 N / 80 N

09663513533	M3	PL1
09663516533	M3	PL2
09663517533	M3	PL3
09663513513	4-40 UNC	PL1
09663516513	4-40 UNC	PL2
09663517513	4-40 UNC	PL3
Part number	Screw lock thread	Performance level

All Dimensions in mm
Original Size DIN A4

HARTING All rights reserved
Department EC PD - FR

HARTING Electronics GmbH
D-32339 Espelkamp

Scale 1:1	Free size tol.	Ref. Sub.
Created by SONN	Inspected by BAGDIKIAN	Standardisation HOFFMANN
Date 2014-09-11		State Final Release
Title D-Sub 25-pole Female Straight		Doc-Key / ECM-Nr. 100566513/UGD/001/B 500000079204
Type TB	Number 0966351X5X3	Rev. B Page 1/1

Mouser Electronics

Authorized Distributor

Click to View Pricing, Inventory, Delivery & Lifecycle Information:

[HARTING:](#)

[09663517513](#)