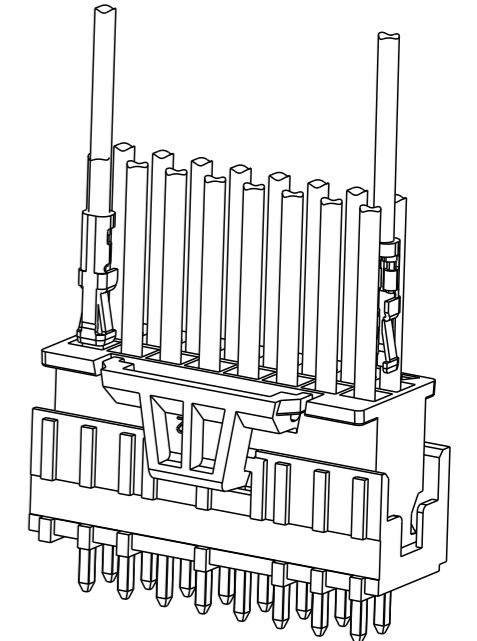
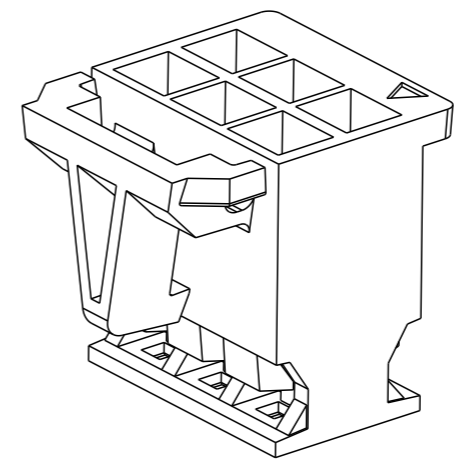
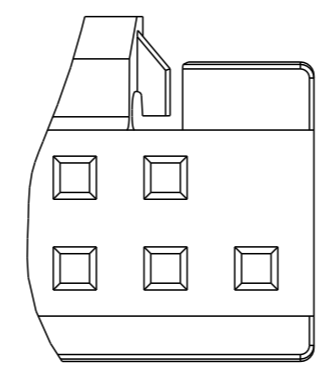
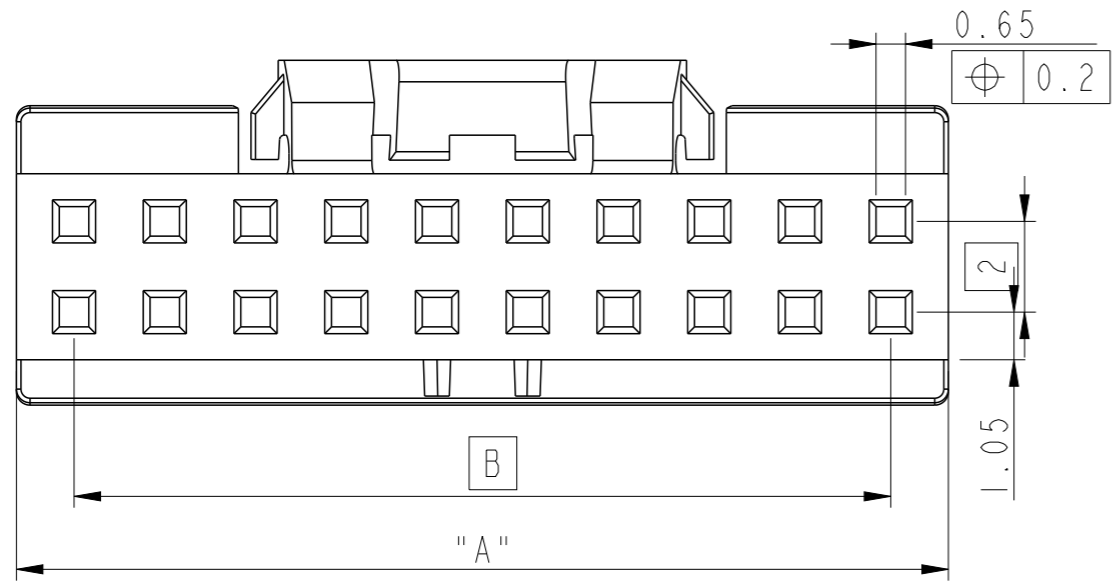
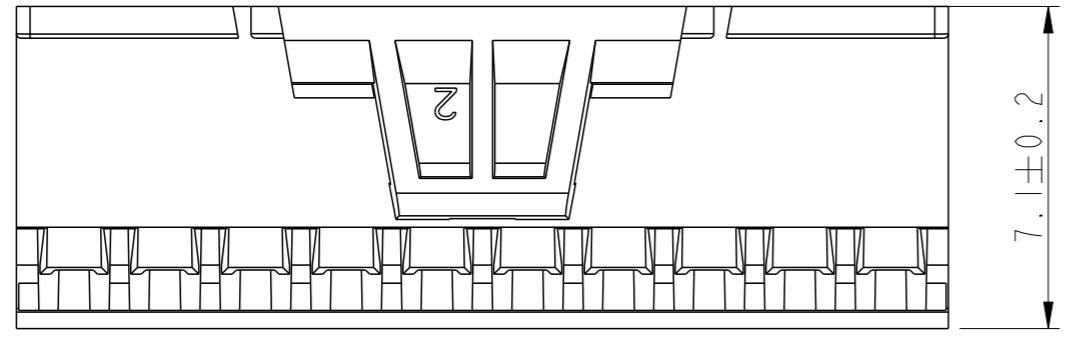
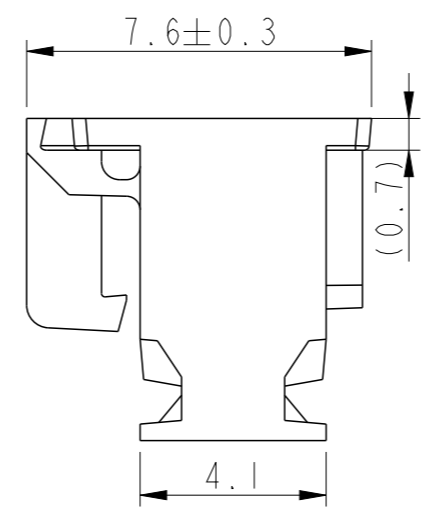
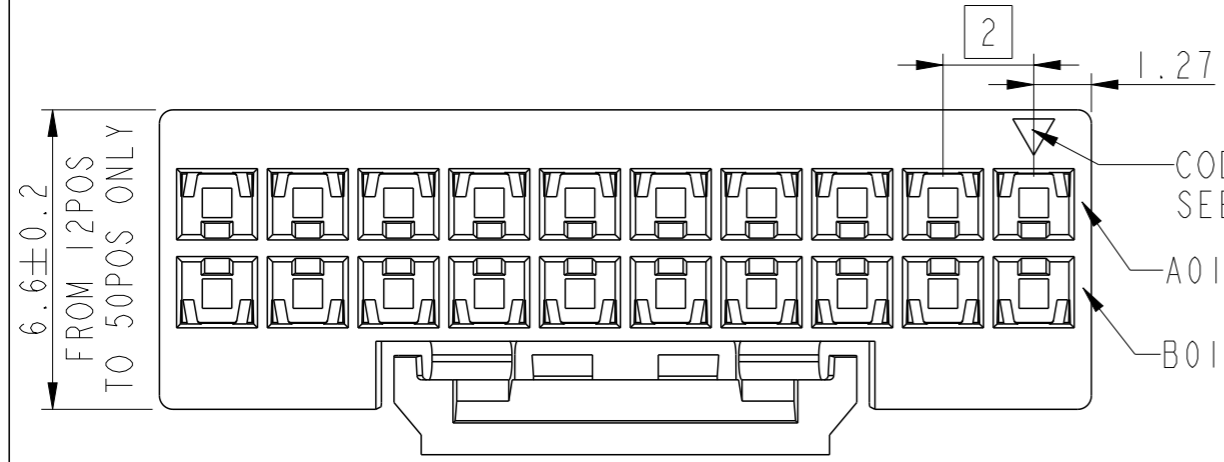


# 10073599-YXX-ZZZLF



PART NUMBER	NBR OF POS	A+/-0.2	B
10073599-Y06LF	2x3	6.54	4
10073599-Y08LF	2x4	8.54	6
10073599-Y10LF	2x5	10.54	8
10073599-Y12LF	2x6	12.54	10
10073599-Y14LF	2x7	14.54	12
10073599-Y16LF	2x8	16.54	14
10073599-Y18LF	2x9	18.54	16
10073599-Y20LF	2x10	20.54	18
10073599-Y22LF	2x11	22.54	20
10073599-Y24LF	2x12	24.54	22
10073599-Y26LF	2x13	26.54	24
10073599-Y28LF	2x14	28.54	26
10073599-Y30LF	2x15	30.54	28
10073599-Y32LF	2x16	32.54	30
10073599-Y34LF	2x17	34.54	32
10073599-Y36LF	2x18	36.54	34
10073599-Y38LF	2x19	38.54	36
10073599-Y40LF	2x20	40.54	38
10073599-Y42LF	2x21	42.54	40
10073599-Y44LF	2x22	44.54	42
10073599-Y46LF	2x23	46.54	44
10073599-Y48LF	2x24	48.54	46
10073599-Y50LF	2x25	50.54	48

POLARIZATION CODE (OPTIONAL) SEE NOTE 9

TOTAL NUMBER OF CONTACTS

0 : COLOR BLACK  
 1 : COLOR CREAM  
 2 : HALOGEN FREE COLOR BLACK  
 3 : HALOGEN FREE COLOR CREAM

- NOTES :
- MATERIAL : PA6.6 25% GLASSFILLED, UL-94V-0
  - FOR USE WITH MINITEK CTW CONTACTS:  
AWG 26-30, SERIE 77138  
AWG 22-24 SERIE 10044403
  - TO BE MATED WITH MINITEK HEADERS SERIES 98414 / 98416 / 98424 AND 10075025.
  - PRODUCT SPECIFICATIONS : GS12-415
  - PACKAGING BULK.
  - RoHS COMPLIANT, THE PRODUCT IS NOT INTENDED TO BE EXPOSED TO ANY SOLDER PROCESS.
  - THE TRIANGLE INDICATES THE FIRST POSITION
  - PRODUCT MEETS EUROPEAN UNION DIRECTIVES AND OTHERS COUNTRY REGULATIONS AS PER GS-022-008.
  - FOR POLARIZATION, SPECIFIED CAVITY NUMBER EXAMPLE : -B01 = ROW B, CAVITY 01 FILLED. OMIT FROM PART NUMBER IF FEATURE NOT APPLICABLE.

spec ref	-	dr	Vernier, Benoi	2015/10/26	projection	mm	size	A3	scale	6:1	
tolerance std	ISO 406 ISO 1101	eng	Laurent Mulin	2021/11/03			ecn no	ELX-F-42791-1			
TOLERANCES UNLESS OTHERWISE SPECIFIED		chr	-	rel level			Released				
surface	linear	appr	Wollin, Severi	2021/11/03	product family		dwg no	10073599		rev	F
	angular							Product - Customer Drw		sheet 1 of 1	

Amphenol FCI  
 MINITEK CTW  
 ACTIVE LATCH HOUSING