

# MICRO SWITCH

FREEPORT ILLINOIS, U.S.A  
A DIVISION OF HONEYWELL

FED. MFG. CODE 91929

# SWITCH-ACTUATOR

CATALOG LISTING

# JX-55

# JX-55

# M

DRAWING NUMBER

ISSUE

3

REPLACES

PR-2863

14SEP05

RJ

CHECK

14SEP69

APR-2863

SRH

15 SEP 72

B

0015428

SPK

14SEP05

28 MAY 69

GCH

CHECK

28 MAY 69

GCH

CHECK

28 MAY 69

28 MAY 69

28 MAY 69

28 MAY 69

28 MAY 69

28 MAY 69

28 MAY 69

28 MAY 69

28 MAY 69

28 MAY 69

28 MAY 69

28 MAY 69

28 MAY 69

28 MAY 69

28 MAY 69

28 MAY 69

28 MAY 69

28 MAY 69

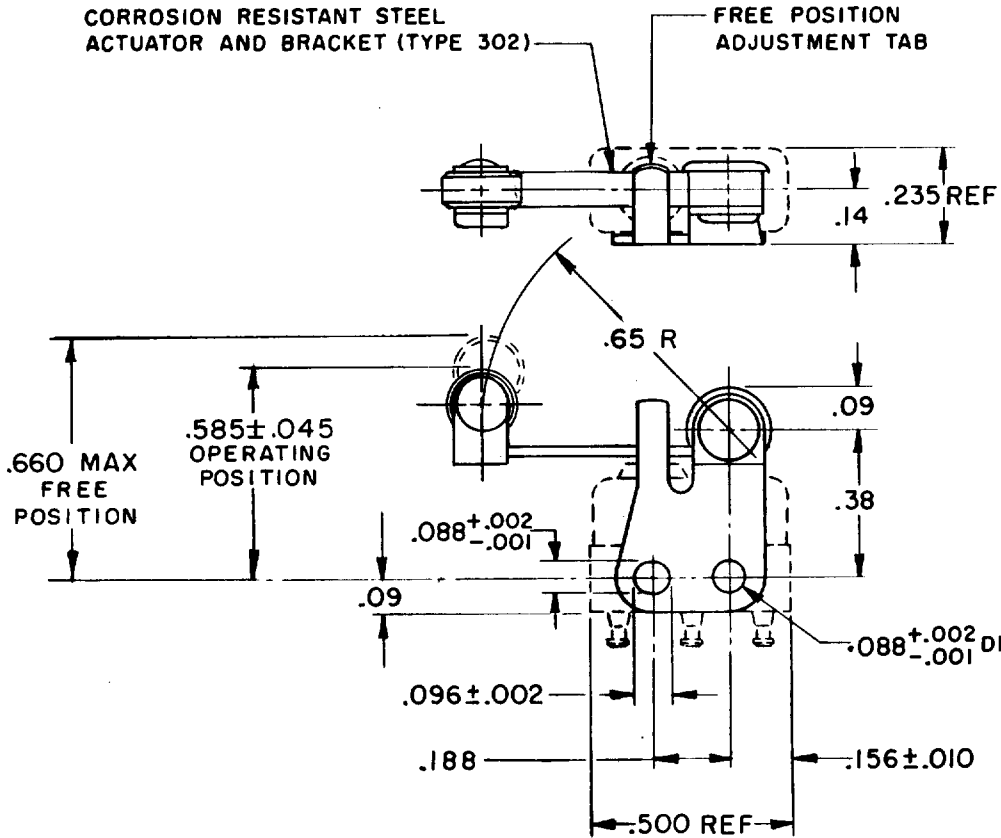
28 MAY 69

28 MAY 69

28 MAY 69

28 MAY 69

28 MAY 69



.19 X .09 WIDE CORROSION RESISTANT STEEL ROLLER (TYPE 303)

DOTTED LINES INDICATE BASIC SWITCH IN PLACE

THIS DRAWING COVERS A PROPRIETARY ITEM AND IS THE PROPERTY OF MICRO SWITCH, A DIVISION OF HONEYWELL. THIS DRAWING IS NOT TO BE COPIED OR USED WITHOUT THE APPROVAL OF MICRO SWITCH.

CHARACTERISTICS	WITH ISX-T BASIC SWITCH INSTALLED
OPERATING FORCE	----- 1.5 OZ MAX
RELEASE FORCE	----- 4 GRAM MIN
DIFFERENTIAL TRAVEL	----- .030 MAX
OVERTRAVEL	----- .020 MIN

ELECTRICAL DATA
CONTACT ARRANGEMENT

SCALE	2 TO 1
DO NOT SCALE PRINT	
UNLESS OTHERWISE NOTED	
DIMENSIONS ARE IN INCHES	
TOLERANCES ARE:	
ONE PLACE (.0)	±.030
TWO PLACE (.00)	±.015
THREE PLACE (.000)	±.005
ANGLES	±.005

WEIGHT

FO-90378-1A

DRAWN

M B S

28 MAY 69

# Mouser Electronics

Authorized Distributor

Click to View Pricing, Inventory, Delivery & Lifecycle Information:

[Honeywell:](#)

[JX-55](#)