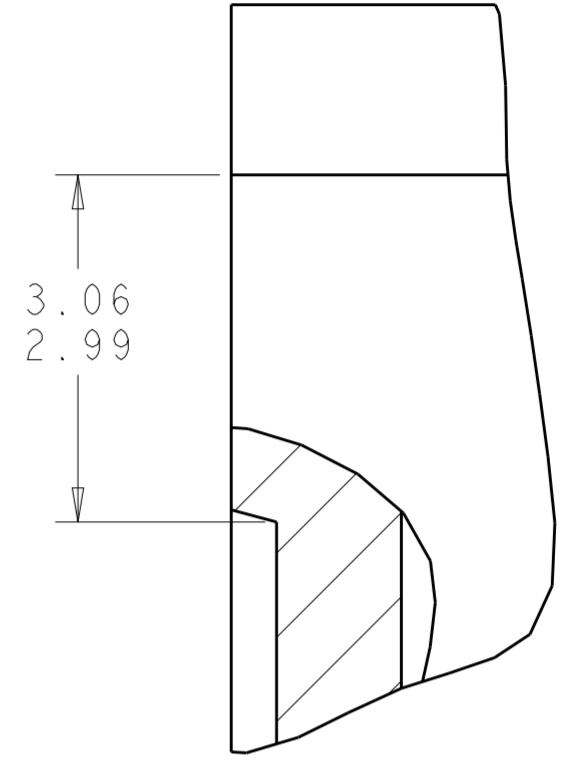
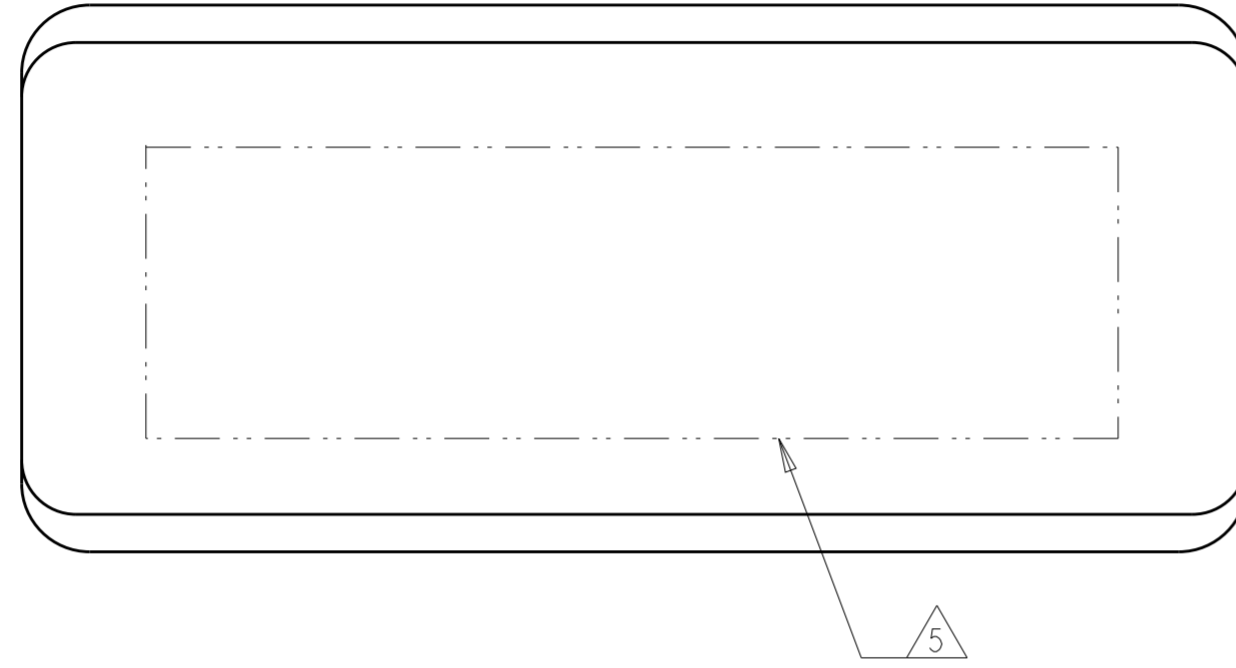


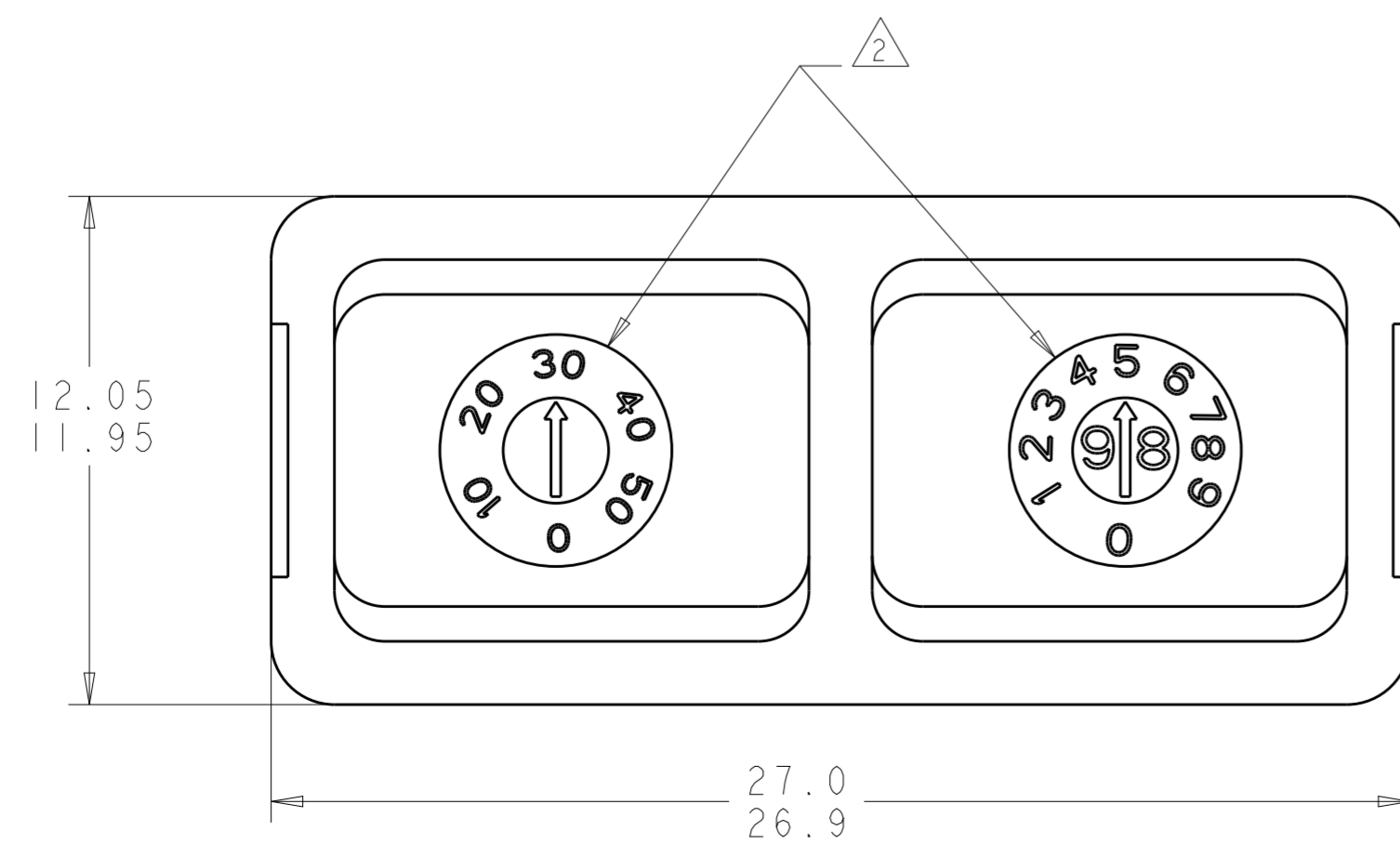
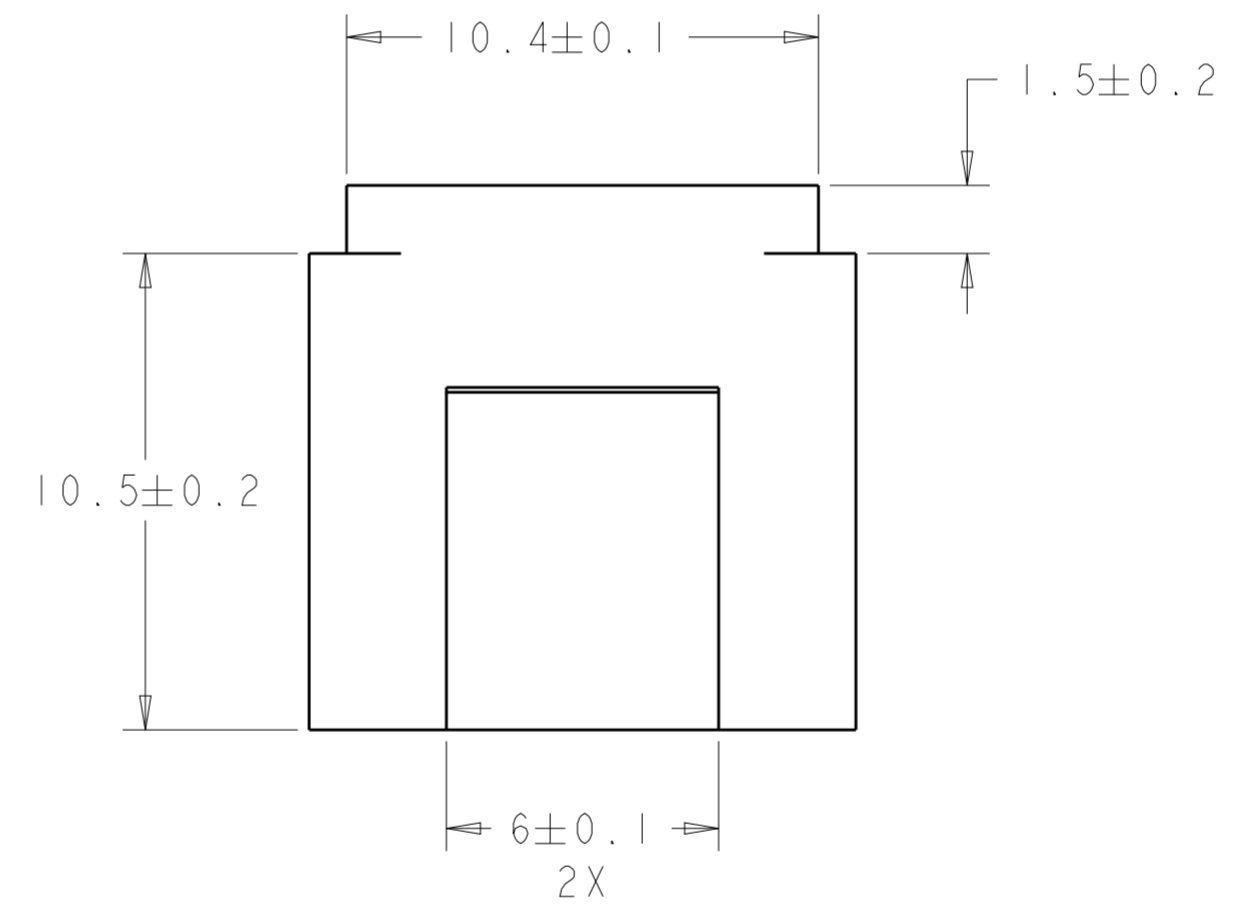
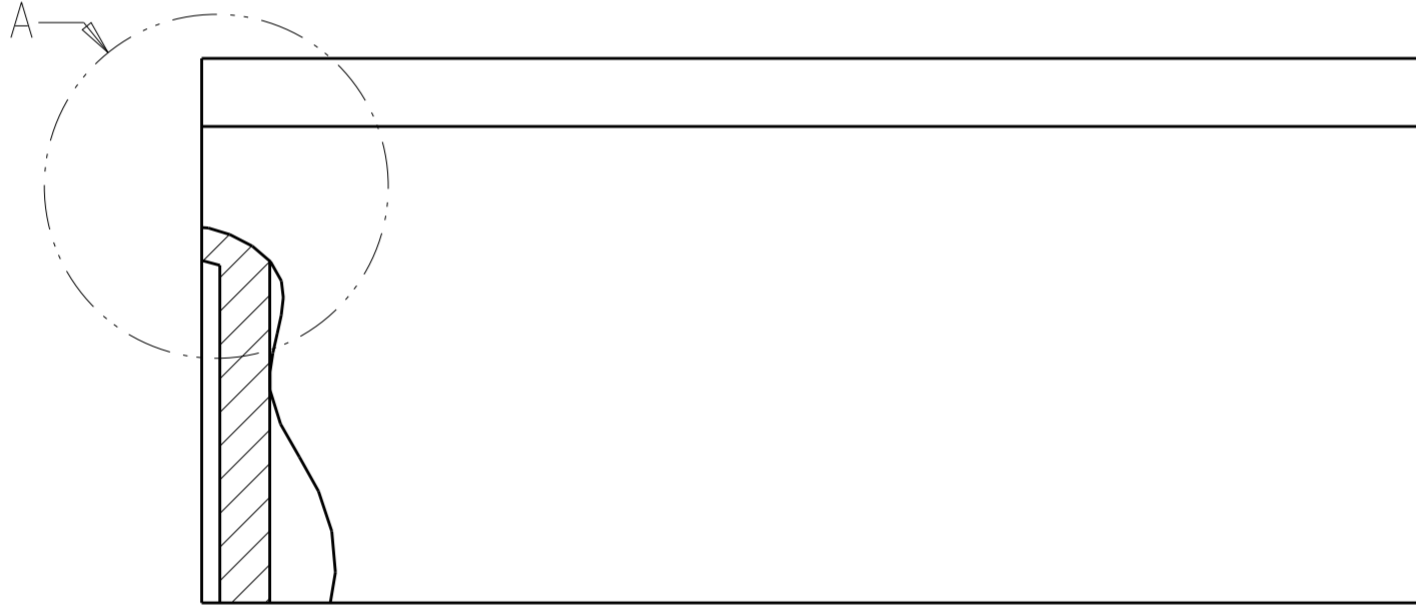
THIS DRAWING IS UNPUBLISHED. RELEASED FOR PUBLICATION 20  
 © COPYRIGHT 20 BY - ALL RIGHTS RESERVED.

REVISIONS					
P	LTR	DESCRIPTION	DATE	DWN	APVD
A		RELEASED PER ECO 14-000202	1-7-14	CT	KH



DETAIL A  
 SCALE 15:1  
 2 PLC

SEE DETAIL A



- ① MATERIAL: PEI THERMOPLASTIC PER ASTM D5205.
- ② DATE CODE: YEAR - WEEK. (98 - 35 SHOWN).
- 3. DESCRIPTIVE PART NUMBER: GPRBNOO.
- 4. THIS PRODUCT IS SOLD BY TE CONNECTIVITY UNDER A LICENSE FROM RADIAL SA.
- ⑤ TE LOGO AND TE PART NO. SHALL BE MARKED APPROXIMATELY IN THIS AREA.

1738085-1  
 PART NUMBER

THIS DRAWING IS A CONTROLLED DOCUMENT.		DWN BH	12 JUL 2005	TE Connectivity	
DIMENSIONS:		CHK	12 JUL 2005		
mm		JPM	12 JUL 2005		
TOLERANCES UNLESS OTHERWISE SPECIFIED:		APVD	JPM	NAME BLANK INSERT, GPRB	
0 PLC	±	PRODUCT SPEC		-	
1 PLC	±0.1	APPLICATION SPEC		-	
2 PLC	±0.1	WEIGHT		-	
3 PLC	±	Customer Drawing		SCALE 6:1 SHEET OF REV A	
4 PLC	±				
ANGLES	±				
FINISH	-				

# Mouser Electronics

Authorized Distributor

Click to View Pricing, Inventory, Delivery & Lifecycle Information:

[TE Connectivity:](#)

[1738085-1](#)