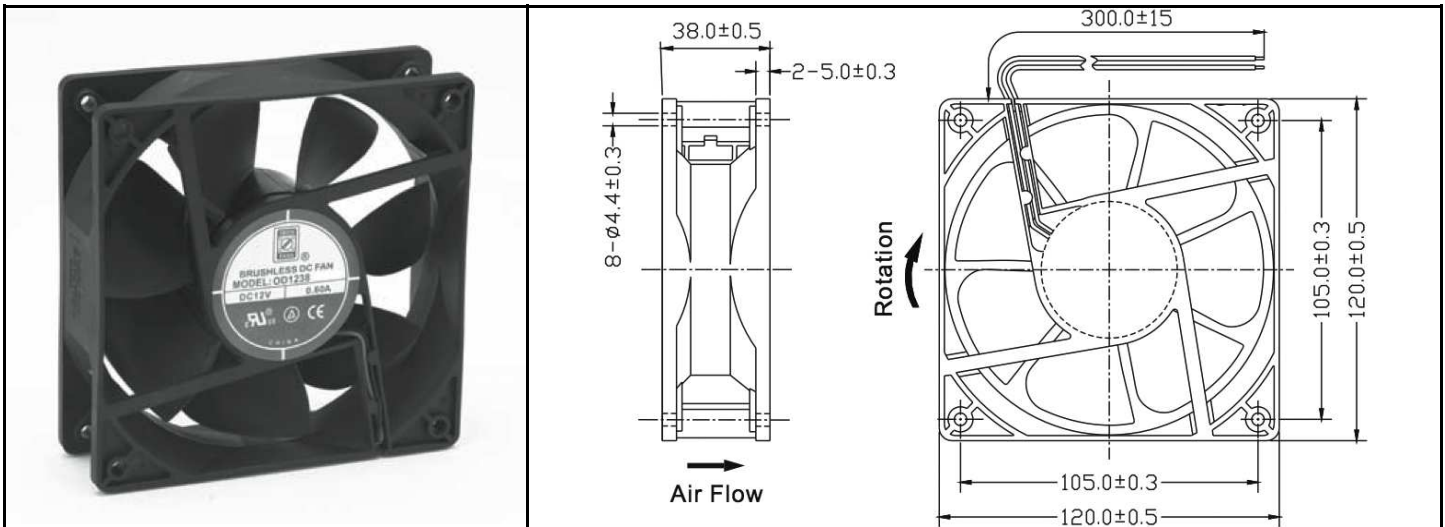


OD1238 Series



DC Fan - Super High Speed
120x38mm (4.7"x 1.5")



Frame & Impeller	PBT, UL94V-O plastic	Available Options: Tachometer (Frequency Generator) Alarm (Rotation Detector) Thermistor (Thermal Speed Control) Sleeve Bearing IP55 Salt Fog	
Connection	2x Lead wires 22AWG		
Motor	Brushless DC, auto restart, impedance and polarity protected		
Bearing System	Dual ball bearing		
Insulation Resistance	10M ohm between leadwire and frame (500VDC)		
Dielectric Strength	1 second at 500 VAC, max leakage - 500 MicroAmp		
Temperature Range	-20C ~ +75C		
Life (L10)	65,000 hours (45C)		

Model Number	Speed (RPM)	Airflow (CFM)	Noise (dB)	Volts DC	Voltage Range (VDC)	Amps	Max. Static Pressure ("H2O)
OD1238-12HHB	3800	154	52	12	6 ~ 14	1.30	0.57
OD1238-24HHB	3800	154	52	24	12 ~ 28	0.60	0.57
OD1238-48HHB	3800	154	52	48	24 ~ 55	0.35	0.57

Mouser Electronics

Authorized Distributor

Click to View Pricing, Inventory, Delivery & Lifecycle Information:

[Orion Fans:](#)

[OD1238-12HHB](#) [OD1238-24HHB](#) [OD1238-48HHB](#)