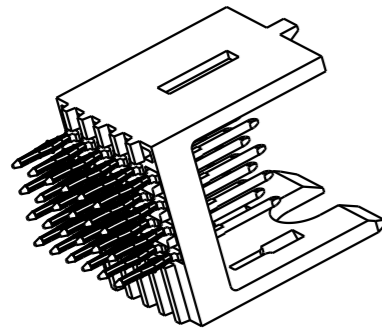
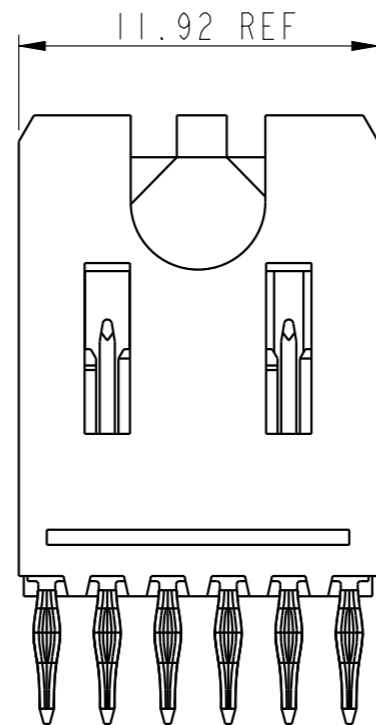
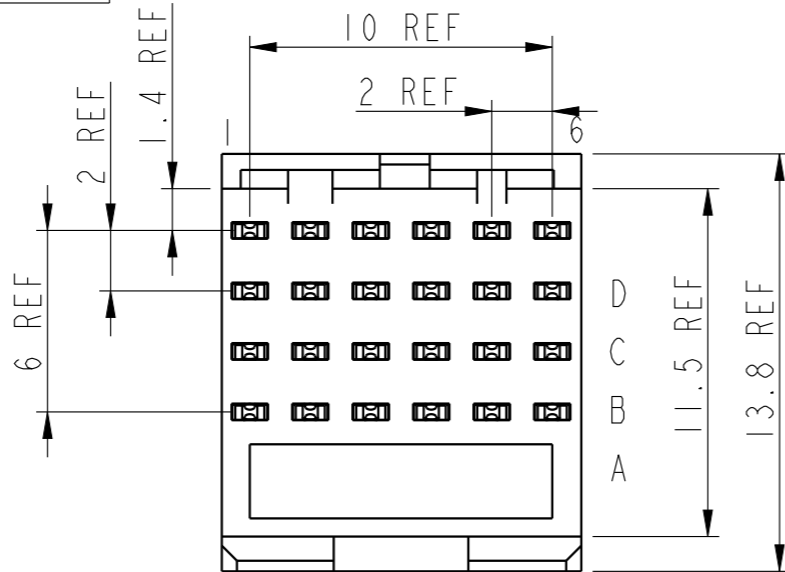
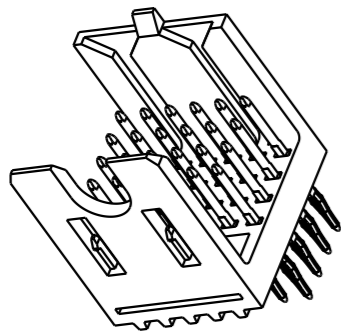


TIN LEAD P/N
85826-XY

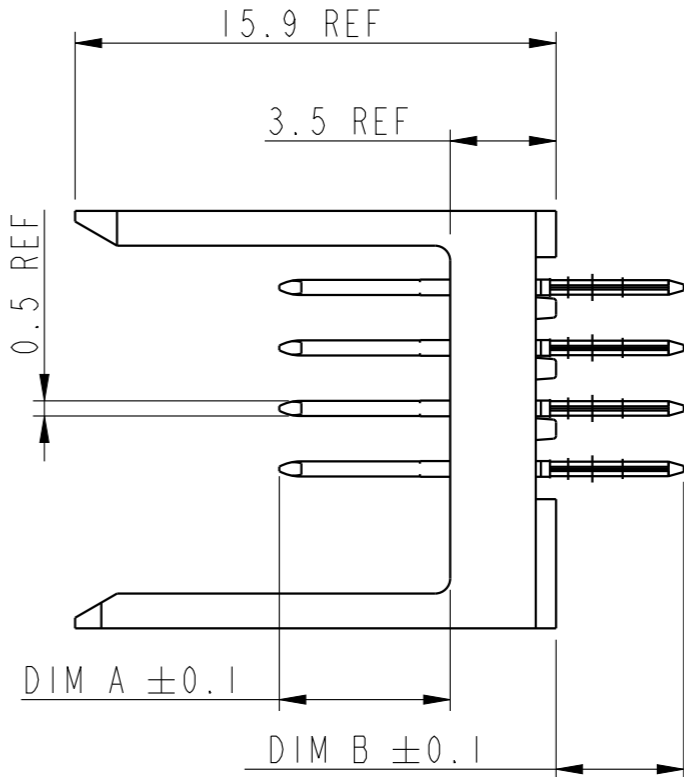
LEAD FREE P/N
85826-XYLF



SCALE 2:1



SCALE 4:1



- NOTES :
- FOR DIM A AND DIM B, SEE SHEET 2 AND UP.
 - BODY MATERIAL : LIQUID CRYSTAL. POLYMER 30% GLASS. FLAME RETARDANT ACC. UL 94-V0.
 - PIN MATERIAL : PHOSPHOR BRONZE.
 - PLATING ON PRESS FIT TAIL AREA CONFORMS TO PERFORMANCE LEVEL SHOWN IN TABLE BELOW.
 - PRODUCT MARKING : PART NUMBER DESIGNATION & BATCH I.D
 - ALL PRODUCTS WITH PART NUMBERS SHOWN IN SUBSEQUENT TABLES WILL BE PACKAGED IN TUBES. IF TRAY PACKAGING IS REQUIRED, A SUFFIX "P" WILL BE ADDED TO THE END OF THE PART NUMBER EXAMPLE : XXXXX-XXXP
 - PLATING INFORMATION: PLATING ON CONTACT & TERMINAL MATING AREA-0.76µm Au

PLATING IN CONTACT AREA	
DASH NUMBER	PERFORMANCE LEVEL
-1YY(LF)	TELCORDIA CO
-2YY(LF)	TELECOM CLASS
-3YY(LF)	IEC CLASS 1
-AYY(LF)	SEE NOTE 7

GENERAL CHARACTERISTICS AND RoHS INFORMATIONS:
SEE DRAWING C-8626-000P

spec ref	-	dr	Terran Huang	2010/07/08	projection	mm	size	A3	scale	1:1	
tolerance std	ISO 406 ISO 1106	eng	Narayanan, Aru	2018/06/01			ecn no	ELX-I-30311-1			
TOLERANCES UNLESS OTHERWISE SPECIFIED		chr	-	-			rel level	Released			
surface	linear	appr	K-Paul Biju	2018/05/31	product family	-	dwg no	85826C		rev	L
ISO 1302	angular	Amphenol FCI		METRAL SIGNAL STRAIGHT HEADER		cat. no.		SEE NOTES	Product - Customer Drw	sheet 1 of 8	

Amphenol FCI

© 2016 AFCI

1

2

3

4

A

B

C

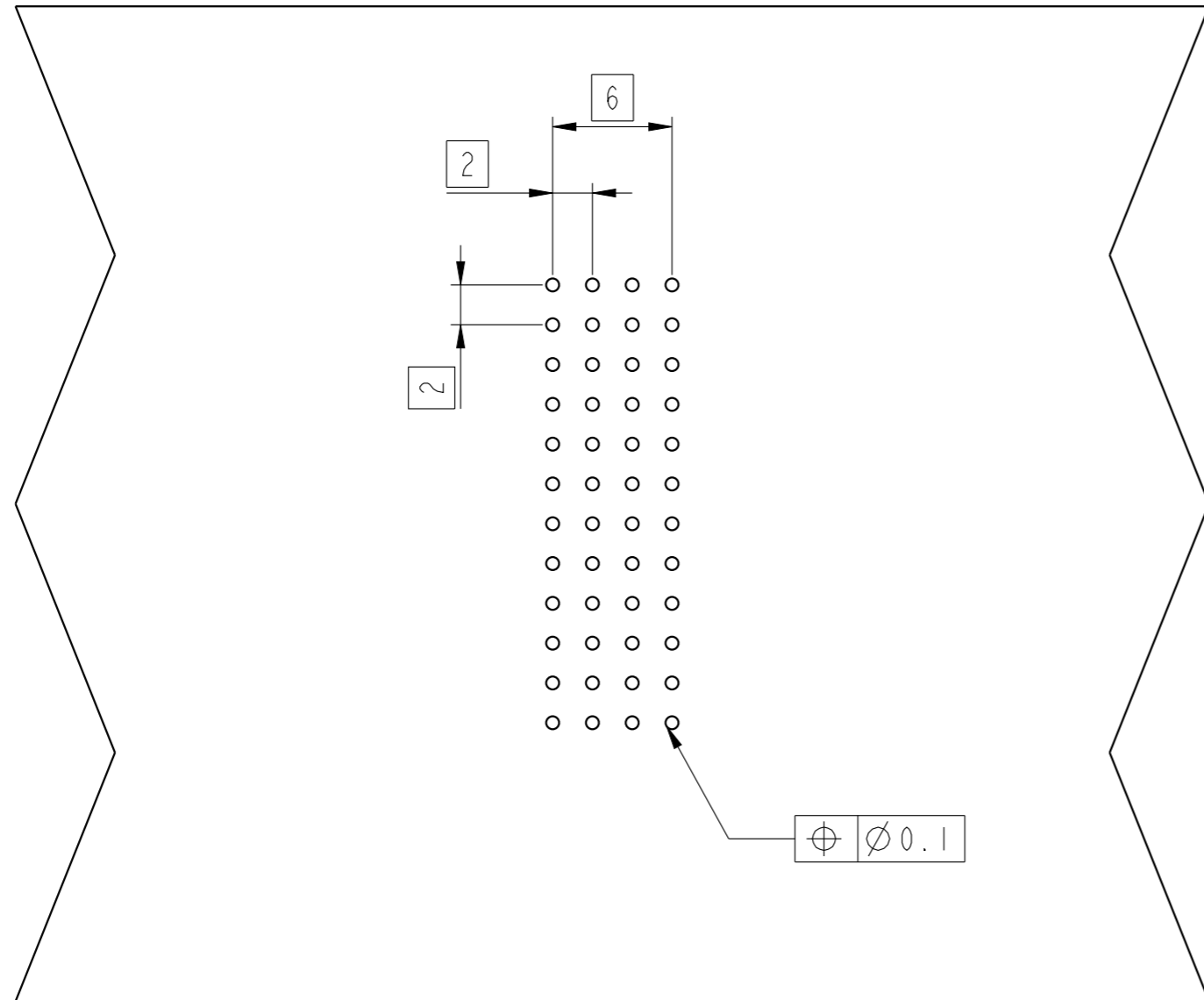
D

A

B

C

D



KEY		
CODE	DIMENSIONS	
	DIM A MATE	DIM B TAIL
1	5.00	4.30
2	5.75	4.30
3	6.50	4.30
4	7.25	4.30
5	5.00	13.60
6	5.75	13.60
7	6.50	13.60
8	7.25	13.60
9	5.00	17.00
10	5.75	17.00
11	6.50	17.00
12	7.25	17.00
13	8.25	4.30
14	8.25	13.60
15	8.25	17.00
19	8.00	4.30
20	8.00	13.60
21	8.00	17.00

PCB LAYOUT
COMPONENT SIDE

SCALE 3:1

SEE PRINT 58351 FOR ADDITIONAL
PCB INFORMATION

spec ref	-	dr	Terran Huang	2010/07/08	projection	mm	size	A3	scale	1:1	
tolerance std	ISO 406 ISO 1106	eng	Narayanan, Aru	2018/06/01			ecn no		ELX-I-30311-1		
TOLERANCES UNLESS OTHERWISE SPECIFIED		chr	-	-			product family		METRAL		rel level
surface	ISO 1302	appr	K-Paul Bijju	2018/05/31	Amphenol FCI			METRAL SIGNAL STRAIGHT HEADER		rev	L
	linear			1 MODULE 4 ROW PRESS-FIT NARROW BODY		85826C					
	angular			cat. no.	--	Product - Customer Drw		sheet 2 of 8			
		0.X	± 0.3								
		0.XX	± 0.10								
		0.XXX	± 0.05								
		0°	$\pm 2^\circ$								

1

2

3

4

A

B

C

D

A

B

C

D

METRAL P/N	ROW	DIM A MATE	DIM B TAIL
85826-X10 OR 85826-X10	D	5.00	4.30
	C	5.75	4.30
	B	5.75	4.30
	A	6.50	4.30

METRAL P/N	ROW	DIM A MATE	DIM B TAIL
85826-X14 OR 85826-X14LF	D	7.25	4.30
	C	6.50	4.30
	B	6.50	4.30
	A	7.25	4.30

METRAL P/N	ROW	DIM A MATE	DIM B TAIL
85826-X18 OR 85826-X18LF	D	6.50	4.30
	C	5.00	4.30
	B	5.00	4.30
	A	5.00	4.30

METRAL P/N	ROW	DIM A MATE	DIM B TAIL
85826-X21 OR 85826-X21LF	D	5.00	13.60
	C	5.00	13.60
	B	5.00	13.60
	A	5.00	13.60

METRAL P/N	ROW	DIM A MATE	DIM B TAIL
85826-X11 OR 85826-X11LF	D	5.00	4.30
	C	5.00	4.30
	B	5.00	4.30
	A	5.00	4.30

METRAL P/N	ROW	DIM A MATE	DIM B TAIL
85826-X15 OR 85826-X15LF	D	6.50	4.30
	C	6.50	4.30
	B	6.50	4.30
	A	6.50	4.30

METRAL P/N	ROW	DIM A MATE	DIM B TAIL
85826-X19 OR 85826-X19LF	D	7.25	4.30
	C	7.25	4.30
	B	7.25	4.30
	A	7.25	4.30

METRAL P/N	ROW	DIM A MATE	DIM B TAIL
85826-X22 OR 85826-X22LF	D	5.00	13.60
	C	5.00	13.60
	B	5.00	13.60
	A	6.50	13.60

METRAL P/N	ROW	DIM A MATE	DIM B TAIL
85826-X12 OR 85826-X12LF	D	5.00	4.30
	C	5.00	4.30
	B	5.00	4.30
	A	6.50	4.30

METRAL P/N	ROW	DIM A MATE	DIM B TAIL
85826-X16 OR 85826-X16LF	D	5.75	4.30
	C	5.75	4.30
	B	5.75	4.30
	A	5.75	4.30

METRAL P/N	ROW	DIM A MATE	DIM B TAIL
85826-X20 OR 85826-X20LF	D	5.00	13.60
	C	5.75	13.60
	B	5.75	13.60
	A	6.50	13.60

METRAL P/N	ROW	DIM A MATE	DIM B TAIL
85826-X23 OR 85826-X23LF	D	6.50	13.60
	C	5.75	13.60
	B	5.75	13.60
	A	6.50	13.60

METRAL P/N	ROW	DIM A MATE	DIM B TAIL
85826-X13 OR 85826-X13LF	D	6.50	4.30
	C	5.75	4.30
	B	5.75	4.30
	A	6.50	4.30

METRAL P/N	ROW	DIM A MATE	DIM B TAIL
85826-X17 OR 85826-X17LF	D	6.50	4.30
	C	5.75	4.30
	B	5.75	4.30
	A	5.00	4.30

spec ref	-	dr	Terran Huang	2010/07/08	projection	mm	size	A3	scale	1:1
tolerance std	ISO 406 ISO 1106	eng	Narayanan, Aru	2018/06/01		←→	ecn no	ELX-I-30311-1		
surface	linear	chr	-	-			product family	METRAL	rel level	Released
	angular	appr	K-Paul Biju	2018/05/31	METRAL SIGNAL STRAIGHT HEADER		85826C	rev	L	
					1 MODULE 4 ROW PRESS-FIT NARROW BODY					
					cat. no.	--	Product - Customer Drw		sheet 3 of 8	

Amphenol FCI

© 2016 AFCI

1

2

3

4

1

2

3

4

A

B

C

D

A

B

C

D

METRAL P/N	ROW	DIM A MATE	DIM B TAIL
85826-X24 OR 85824-X24LF	D	7.25	13.60
	C	6.50	13.60
	B	6.50	13.60
	A	7.25	13.60

METRAL P/N	ROW	DIM A MATE	DIM B TAIL
85826-X28 OR 85826-X28LF	D	6.50	13.60
	C	5.00	13.60
	B	5.00	13.60
	A	5.00	13.60

METRAL P/N	ROW	DIM A MATE	DIM B TAIL
85826-X32 OR 85826-X32LF	D	5.00	17.00
	C	5.00	17.00
	B	5.00	17.00
	A	6.50	17.00

METRAL P/N	ROW	DIM A MATE	DIM B TAIL
85826-X36 OR 85826-X36LF	D	5.75	17.00
	C	5.75	17.00
	B	5.75	17.00
	A	5.75	17.00

METRAL P/N	ROW	DIM A MATE	DIM B TAIL
85826-X25 OR 85826-X25LF	D	6.50	13.60
	C	6.50	13.60
	B	6.50	13.60
	A	6.50	13.60

METRAL P/N	ROW	DIM A MATE	DIM B TAIL
85826-X29 OR 85826-X29LF	D	7.25	13.60
	C	7.25	13.60
	B	7.25	13.60
	A	7.25	13.60

METRAL P/N	ROW	DIM A MATE	DIM B TAIL
85826-X33 OR 85826-X33LF	D	6.50	17.00
	C	5.75	17.00
	B	5.75	17.00
	A	6.50	17.00

METRAL P/N	ROW	DIM A MATE	DIM B TAIL
85826-X37 OR 85826-X37LF	D	6.50	17.00
	C	5.75	17.00
	B	5.75	17.00
	A	5.00	17.00

METRAL P/N	ROW	DIM A MATE	DIM B TAIL
85826-X26 OR 85826-X26LF	D	5.75	13.60
	C	5.75	13.60
	B	5.75	13.60
	A	5.75	13.60

METRAL P/N	ROW	DIM A MATE	DIM B TAIL
85826-X30 OR 85826-X30LF	D	5.00	17.00
	C	5.75	17.00
	B	5.75	17.00
	A	6.50	17.00

METRAL P/N	ROW	DIM A MATE	DIM B TAIL
85826-X34 OR 85826-X34LF	D	7.25	17.00
	C	6.50	17.00
	B	6.50	17.00
	A	7.25	17.00

METRAL P/N	ROW	DIM A MATE	DIM B TAIL
85826-X27 OR 85826-X27LF	D	6.50	13.60
	C	5.75	13.60
	B	5.75	13.60
	A	5.00	13.60

METRAL P/N	ROW	DIM A MATE	DIM B TAIL
85826-X31 OR 85826-X31LF	D	5.00	17.00
	C	5.00	17.00
	B	5.00	17.00
	A	5.00	17.00

METRAL P/N	ROW	DIM A MATE	DIM B TAIL
85826-X35 OR 85826-X35LF	D	6.50	17.00
	C	6.50	17.00
	B	6.50	17.00
	A	6.50	17.00

Amphenol FCI

© 2016 AFCI

spec ref	-	dr	Terran Huang	2010/07/08	projection	mm	size	A3	scale	1:1			
tolerance std	ISO 406 ISO 1106	eng	Narayanan, Aru	2018/06/01		← →	ecn no	ELX-I-30311-1	rel level		Released		
TOLERANCES UNLESS OTHERWISE SPECIFIED		chr	-	-			product family	METRAL	85826C		rev	L	
surface	linear	0.X	±0.3	Amphenol FCI		METRAL SIGNAL STRAIGHT HEADER		1 MODULE 4 ROW PRESS-FIT NARROW BODY		cat. no.	--	Product - Customer Drw	sheet 4 of 8
	angular	0°	±2°										

2

3

PDS: Rev :L

STATUS:Released

Printed: Jul 05, 2018

1

2

3

4

A

B

C

D

A

B

C

D

METRAL P/N	ROW	DIM A MATE	DIM B TAIL
85826-X38 OR 85826-X38LF	D	6.50	17.00
	C	5.00	17.00
	B	5.00	17.00
	A	5.00	17.00

METRAL P/N	ROW	DIM A MATE	DIM B TAIL
85826-X42 OR 85826-X42LF	D	5.00	4.30
	C	5.00	4.30
	B	5.00	4.30
	A	5.75	4.30

METRAL P/N	ROW	DIM A MATE	DIM B TAIL
85826-X46 OR 85826-X46LF	D	8.00	4.30
	C	6.50	4.30
	B	6.50	4.30
	A	6.50	4.30

METRAL P/N	ROW	DIM A MATE	DIM B TAIL
85826-X49 OR 85826-X49LF	D	7.25	4.30
	C	6.50	4.30
	B	6.50	4.30
	A	6.50	4.30

METRAL P/N	ROW	DIM A MATE	DIM B TAIL
85826-X39 OR 85826-X39LF	D	7.25	17.00
	C	7.25	17.00
	B	7.25	17.00
	A	7.25	17.00

METRAL P/N	ROW	DIM A MATE	DIM B TAIL
85826-X43	D	8.25	4.30
	C	6.50	4.30
	B	6.50	4.30
	A	6.50	4.30

METRAL P/N	ROW	DIM A MATE	DIM B TAIL
85826-X47	D	7.25	4.30
	C	7.25	4.30
	B	8.25	4.30
	A	8.25	4.30

METRAL P/N	ROW	DIM A MATE	DIM B TAIL
85826-X50 OR 85826-X50LF	D	5.75	13.60
	C	5.75	13.60
	B	7.25	13.60
	A	5.75	13.60

METRAL P/N	ROW	DIM A MATE	DIM B TAIL
85826-X40 OR 85826-X40LF	D	5.75	4.30
	C	5.75	4.30
	B	7.25	4.30
	A	5.75	4.30

METRAL P/N	ROW	DIM A MATE	DIM B TAIL
85826-X44 OR 85826-X44LF	D	5.75	4.30
	C	6.50	4.30
	B	7.25	4.30
	A	6.50	4.30

METRAL P/N	ROW	DIM A MATE	DIM B TAIL
85826-X48 OR 85826-X48LF	D	8.00	4.30
	C	8.00	4.30
	B	8.00	4.30
	A	8.00	4.30

METRAL P/N	ROW	DIM A MATE	DIM B TAIL
85826-X51 OR 85826-X51LF	D	5.75	13.60
	C	5.75	13.60
	B	5.75	13.60
	A	7.25	13.60

METRAL P/N	ROW	DIM A MATE	DIM B TAIL
85826-X41 OR 85826-X41LF	D	5.75	4.30
	C	5.75	4.30
	B	5.75	4.30
	A	7.25	4.30

METRAL P/N	ROW	DIM A MATE	DIM B TAIL
85826-X45 OR 85826-X45LF	D	5.00	4.30
	C	5.75	4.30
	B	6.50	4.30
	A	7.25	4.30

spec ref	-	dr	Terran Huang	2010/07/08	projection	mm	size	A3	scale	1:1
tolerance std	ISO 406 ISO 1106	eng	Narayanan, Aru	2018/06/01			ecn no	ELX-I-30311-1		
surface	linear	chr	-	-			product family	METRAL	rel level	Released
	angular	appr	K-Paul Biju	2018/05/31	METRAL SIGNAL STRAIGHT HEADER		85826C	rev	L	
					I MODULE 4 ROW PRESS-FIT NARROW BODY					
					cat. no.	--	Product - Customer Drw		sheet 5 of 8	

1

2

3

4

1

2

3

4

A

B

C

D

A

B

C

D

METRAL P/N	ROW	DIM A MATE	DIM B TAIL
85826-X52 OR 85826-X52LF	D	5.00	13.60
	C	5.00	13.60
	B	5.00	13.60
	A	5.75	13.60

METRAL P/N	ROW	DIM A MATE	DIM B TAIL
85826-X56 OR 85826-X56LF	D	8.00	13.60
	C	6.50	13.60
	B	6.50	13.60
	A	6.50	13.60

METRAL P/N	ROW	DIM A MATE	DIM B TAIL
85826-X60 OR 85826-X61	D	5.75	17.00
	C	5.75	17.00
	B	7.25	17.00
	A	5.75	17.00

METRAL P/N	ROW	DIM A MATE	DIM B TAIL
85826-X63	D	8.25	17.00
	C	6.50	17.00
	B	6.50	17.00
	A	6.50	17.00

METRAL P/N	ROW	DIM A MATE	DIM B TAIL
85826-X53	D	8.25	13.60
	C	6.50	13.60
	B	6.50	13.60
	A	6.50	13.60

METRAL P/N	ROW	DIM A MATE	DIM B TAIL
85826-X57	D	7.25	13.60
	C	7.25	13.60
	B	8.25	13.60
	A	8.25	13.60

METRAL P/N	ROW	DIM A MATE	DIM B TAIL
85826-X61 OR 85826-X61LF	D	5.75	17.00
	C	5.75	17.00
	B	5.75	17.00
	A	7.25	17.00

METRAL P/N	ROW	DIM A MATE	DIM B TAIL
85826-X64 OR 85826-X64LF	D	5.75	17.00
	C	6.50	17.00
	B	7.25	17.00
	A	6.50	17.00

METRAL P/N	ROW	DIM A MATE	DIM B TAIL
85826-X54 OR 85826-X54LF	D	5.75	13.60
	C	6.50	13.60
	B	7.25	13.60
	A	6.50	13.60

METRAL P/N	ROW	DIM A MATE	DIM B TAIL
85826-X58 OR 85826-X58LF	D	8.00	13.60
	C	8.00	13.60
	B	8.00	13.60
	A	8.00	13.60

METRAL P/N	ROW	DIM A MATE	DIM B TAIL
85826-X62 OR 85826-X62LF	D	5.00	17.00
	C	5.00	17.00
	B	5.00	17.00
	A	5.75	17.00

METRAL P/N	ROW	DIM A MATE	DIM B TAIL
85826-X65 OR 85826-X65LF	D	5.00	17.00
	C	5.75	17.00
	B	6.50	17.00
	A	7.25	17.00

METRAL P/N	ROW	DIM A MATE	DIM B TAIL
85826-X55 OR 85826-X55LF	D	5.00	13.60
	C	5.75	13.60
	B	6.50	13.60
	A	7.25	13.60

METRAL P/N	ROW	DIM A MATE	DIM B TAIL
85826-X59 OR 85826-X59LF	D	7.25	13.60
	C	6.50	13.60
	B	6.50	13.60
	A	6.50	13.60

spec ref	-	dr	Terran Huang	2010/07/08	projection	mm	size	A3	scale	1:1
tolerance std	ISO 406 ISO 1106	eng	Narayanan, Aru	2018/06/01			ecn no	ELX-I-30311-1		
surface	linear	chr	-	-			product family	METRAL	rel level	Released
	angular	appr	K-Paul Biju	2018/05/31	METRAL SIGNAL STRAIGHT HEADER		85826C	rev	L	
					I MODULE 4 ROW PRESS-FIT NARROW BODY					
					cat. no.	--	Product - Customer Drw		sheet 6 of 8	

1

2

3

4

1

2

3

4

A

B

C

D

A

B

C

D

METRAL P/N	ROW	DIM A MATE	DIM B TAIL
85826-X66 OR 85826-X66LF	D	8.00	17.00
	C	6.50	17.00
	B	6.50	17.00
	A	6.50	17.00

METRAL P/N	ROW	DIM A MATE	DIM B TAIL
85826-X70 OR 85826-X70LF	D	7.25	4.30
	C	5.75	4.30
	B	5.75	4.30
	A	5.75	4.30

METRAL P/N	ROW	DIM A MATE	DIM B TAIL
85826-X74 OR 85826-X74LF	D	5.75	4.30
	C	6.50	4.30
	B	6.50	4.30
	A	6.50	4.30

METRAL P/N	ROW	DIM A MATE	DIM B TAIL
85826-X81 OR 85826-X81LF	D	6.50	13.60
	C	6.50	13.60
	B	5.00	13.60
	A	6.50	13.60

METRAL P/N	ROW	DIM A MATE	DIM B TAIL
85826-X67	D	7.25	17.00
	B	7.25	17.00
	B	8.25	17.00
	A	8.25	17.00

METRAL P/N	ROW	DIM A MATE	DIM B TAIL
85826-X71 OR 85826-X71LF	D	6.50	4.30
	C	6.50	4.30
	B	5.00	4.30
	A	6.50	4.30

METRAL P/N	ROW	DIM A MATE	DIM B TAIL
85826-X75 OR 85826-X75LF	D	5.00	4.30
	C	6.50	4.30
	B	6.50	4.30
	A	6.50	4.30

METRAL P/N	ROW	DIM A MATE	DIM B TAIL
85826-X82 OR 85826-X82LF	D	5.75	13.60
	C	7.25	13.60
	B	7.25	13.60
	A	8.00	13.60

METRAL P/N	ROW	DIM A MATE	DIM B TAIL
85826-X68 OR 85826-X68LF	D	8.00	17.00
	C	8.00	17.00
	B	8.00	17.00
	A	8.00	17.00

METRAL P/N	ROW	DIM A MATE	DIM B TAIL
85826-X72 OR 85826-X72LF	D	5.75	4.30
	C	7.25	4.30
	B	7.25	4.30
	A	8.00	4.30

METRAL P/N	ROW	DIM A MATE	DIM B TAIL
85826-X80 OR 85826-X80LF	D	7.25	13.60
	C	5.75	13.60
	B	5.75	13.60
	A	5.75	13.60

METRAL P/N	ROW	DIM A MATE	DIM B TAIL
85826-X83 OR 85826-X83LF	D	5.75	13.60
	C	6.50	13.60
	B	5.75	13.60
	A	6.50	13.60

METRAL P/N	ROW	DIM A MATE	DIM B TAIL
85826-X69 OR 85826-X69LF	D	7.25	17.00
	C	6.50	17.00
	B	6.50	17.00
	A	6.50	17.00

METRAL P/N	ROW	DIM A MATE	DIM B TAIL
85826-X73 OR 85826-X73LF	D	5.75	4.30
	C	6.50	4.30
	B	5.75	4.30
	A	6.50	4.30

spec ref	-	dr	Terran Huang	2010/07/08	projection	mm	size	A3	scale	1:1	
tolerance std	ISO 406 ISO 1106	eng	Narayanan, Aru	2018/06/01		←→	ecn no	ELX-I-30311-1	rel level		Released
TOLERANCES UNLESS OTHERWISE SPECIFIED		chr	-	-			product family	METRAL			
surface	linear	appr	K-Paul Biju	2018/05/31	METRAL SIGNAL STRAIGHT HEADER			85826C	rev		L
	angular				I MODULE 4 ROW PRESS-FIT NARROW BODY						
ISO 1302	0.X ±0.3 0.XX ±0.10 0.XXX ±0.05 0° ±2°	cat. no.		--	Product - Customer Drw			sheet 7 of 8			

1

2

3

4

Amphenol FCI

© 2016 AFCI

A

A

METRAL P/N	ROW	DIM A MATE	DIM B TAIL
85826-X84 OR 85826-X84LF	D	5.75	13.60
	C	6.50	13.60
	B	6.50	13.60
	A	6.50	13.60

METRAL P/N	ROW	DIM A MATE	DIM B TAIL
85826-X92 OR 85826-X92LF	D	5.75	17.00
	C	7.25	17.00
	B	7.25	17.00
	A	8.00	17.00

METRAL P/N	ROW	DIM A MATE	DIM B TAIL
85826-X95 OR 85826-X95LF	D	5.00	17.00
	C	6.50	17.00
	B	6.50	17.00
	A	6.50	17.00

B

B

METRAL P/N	ROW	DIM A MATE	DIM B TAIL
85826-X85 OR 85826-X85LF	D	5.00	13.60
	C	6.50	13.60
	B	6.50	13.60
	A	6.50	13.60

METRAL P/N	ROW	DIM A MATE	DIM B TAIL
85826-X93 OR 85826-X93LF	D	5.75	17.00
	C	6.50	17.00
	B	5.75	17.00
	A	6.50	17.00

METRAL P/N	ROW	CONTACT CODE MOD.1						CONTACTS Quantities		
		1	2	3	4	5	6	5	8	-
85826-X96 OR 85826-X96LF	D	5	5	5	5	5	5	6	-	-
	C	5	5	5	5	5	5	6	-	-
	B	5	5	8	8	8	5	3	3	-
	A	5	5	5	5	5	5	6	-	-

Amphenol FCI

C

C

METRAL P/N	ROW	DIM A MATE	DIM B TAIL
85826-X90 OR 85826-X90LF	D	7.25	17.00
	C	5.75	17.00
	B	5.75	17.00
	A	5.75	17.00

METRAL P/N	ROW	DIM A MATE	DIM B TAIL
85826-X94 OR 85826-X94LF	D	5.75	17.00
	C	6.50	17.00
	B	6.50	17.00
	A	6.50	17.00

© 2016 AFCI

D

D

METRAL P/N	ROW	DIM A MATE	DIM B TAIL
85826-X91 OR 85826-X91LF	D	6.50	17.00
	C	6.50	17.00
	B	5.00	17.00
	A	6.50	17.00

spec ref	-	dr	Terran Huang	2010/07/08	projection		mm	size	A3	scale	1:1
tolerance std	ISO 406 ISO 1106	eng	Narayanan, Aru	2018/06/01	chr	-		ecn no	ELX-I-30311-1		
	TOLERANCES UNLESS OTHERWISE SPECIFIED	appr	K-Paul Biju	2018/05/31	product family	METRAL		rel level	Released		
surface	linear	0.X	±0.3	Amphenol FCI		METRAL SIGNAL STRAIGHT HEADER		85826C		rev L	
		0.XX	±0.10								
		0.XXX	±0.05								
	angular	0°	±2°	cat. no.	--	Product - Customer Drw		sheet 8 of 8			

Mouser Electronics

Authorized Distributor

Click to View Pricing, Inventory, Delivery & Lifecycle Information:

[FCI / Amphenol:](#)

[85826-121LF](#) [85826-111LF](#)