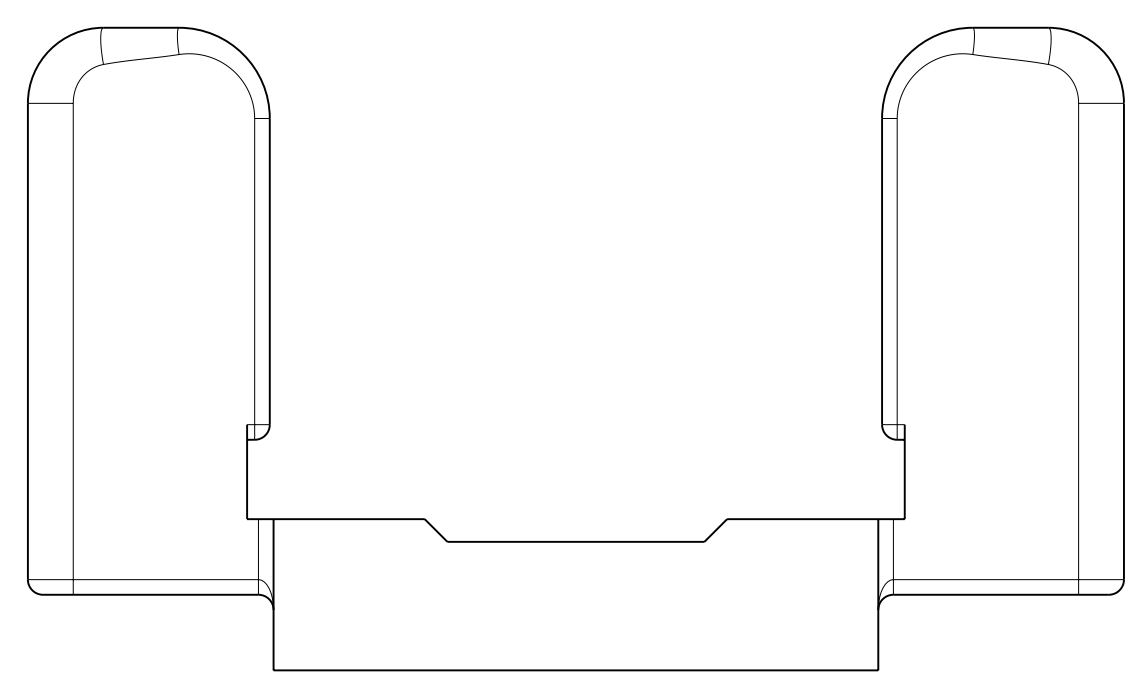
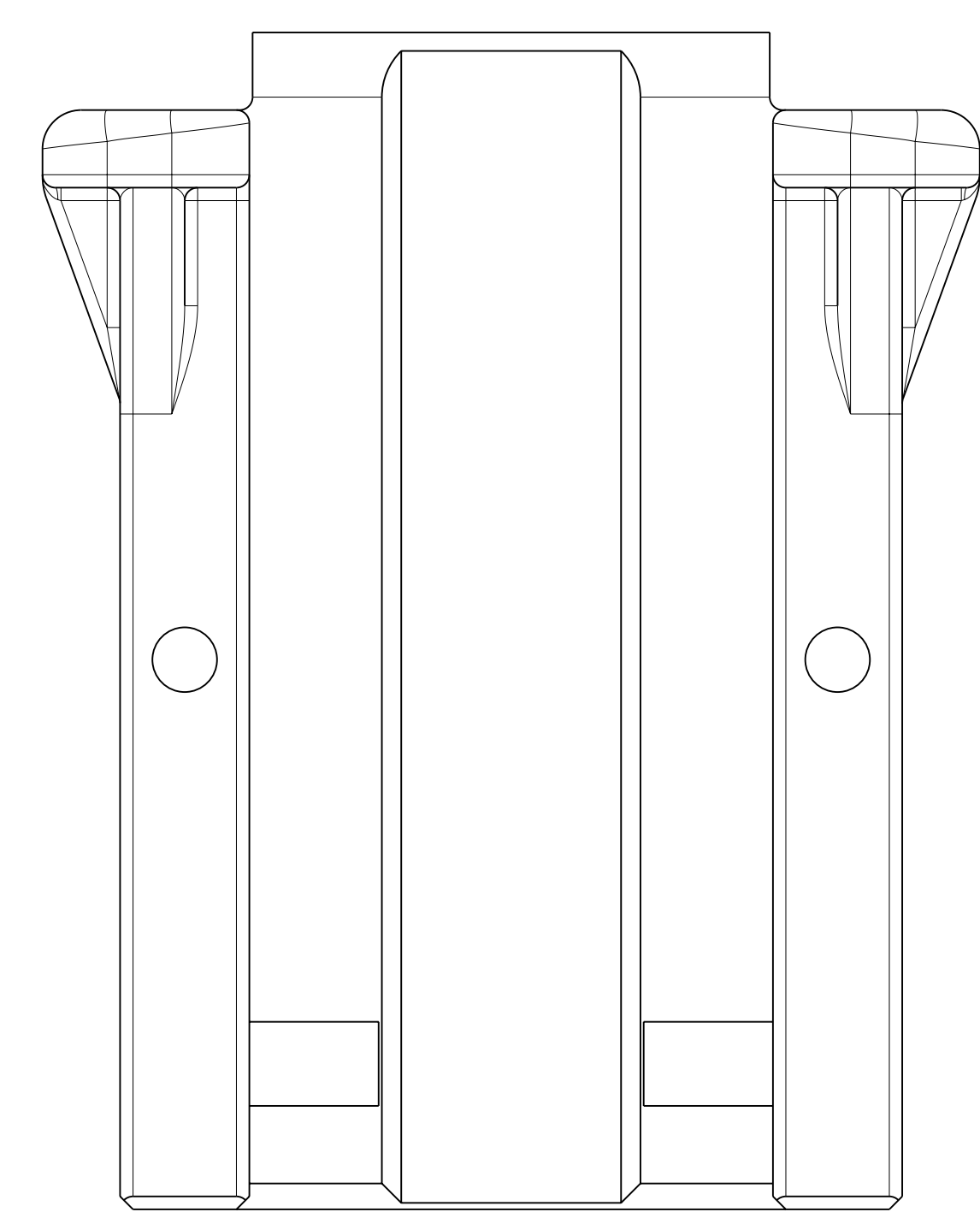
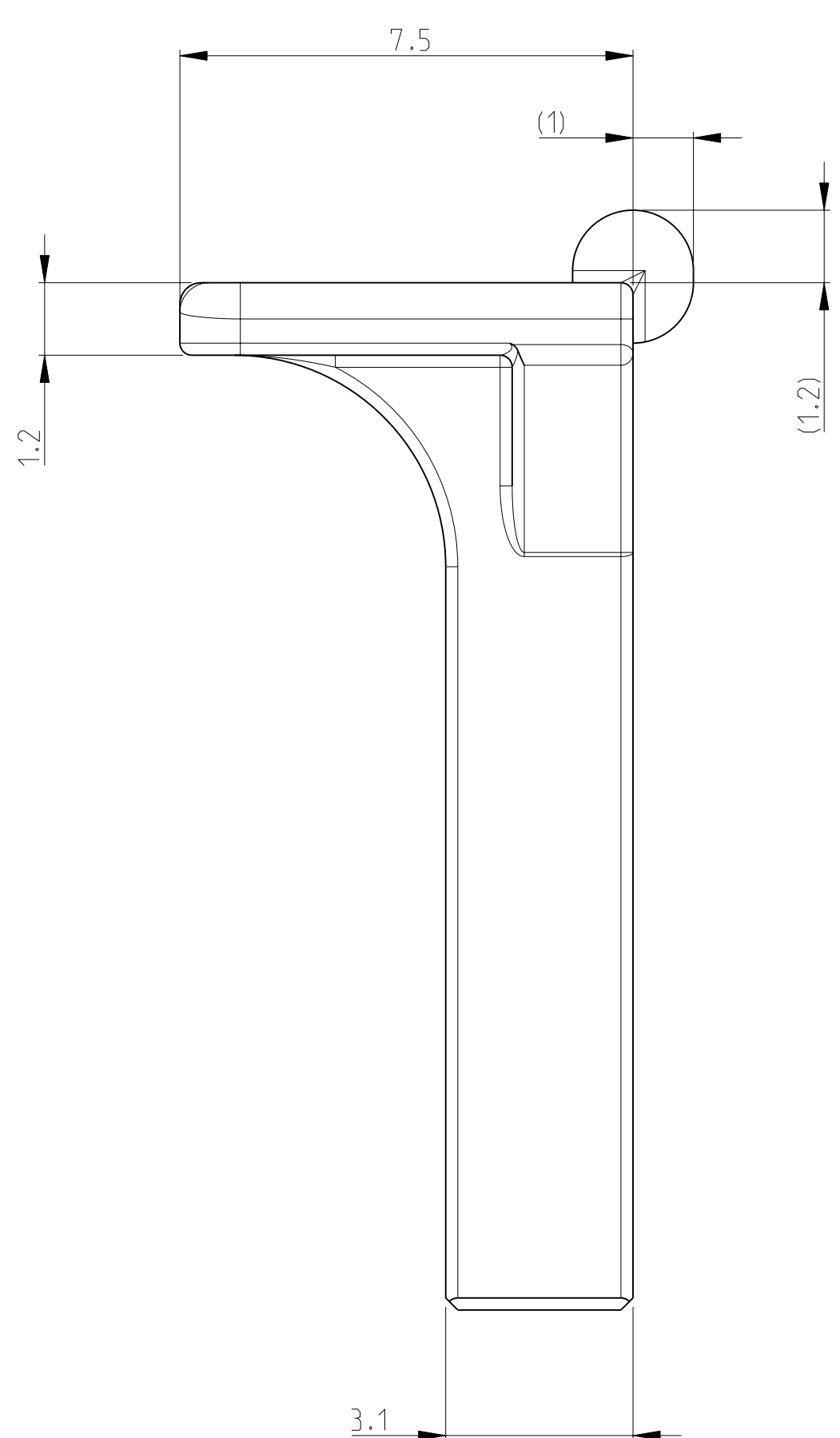
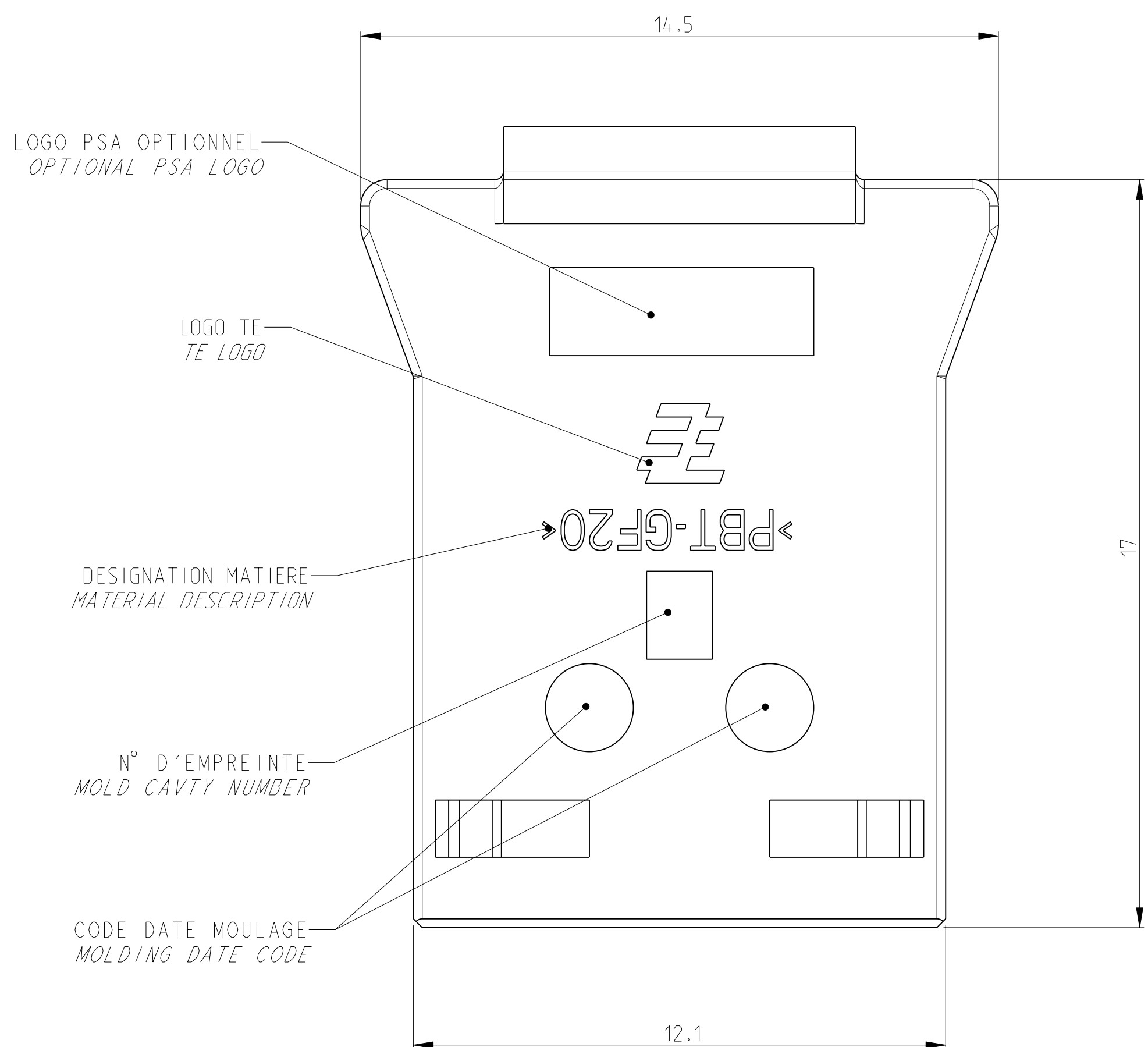
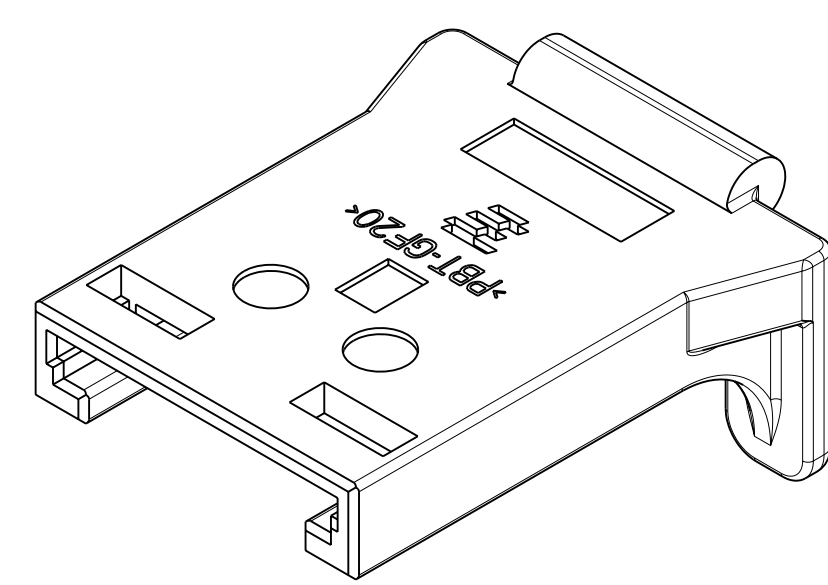
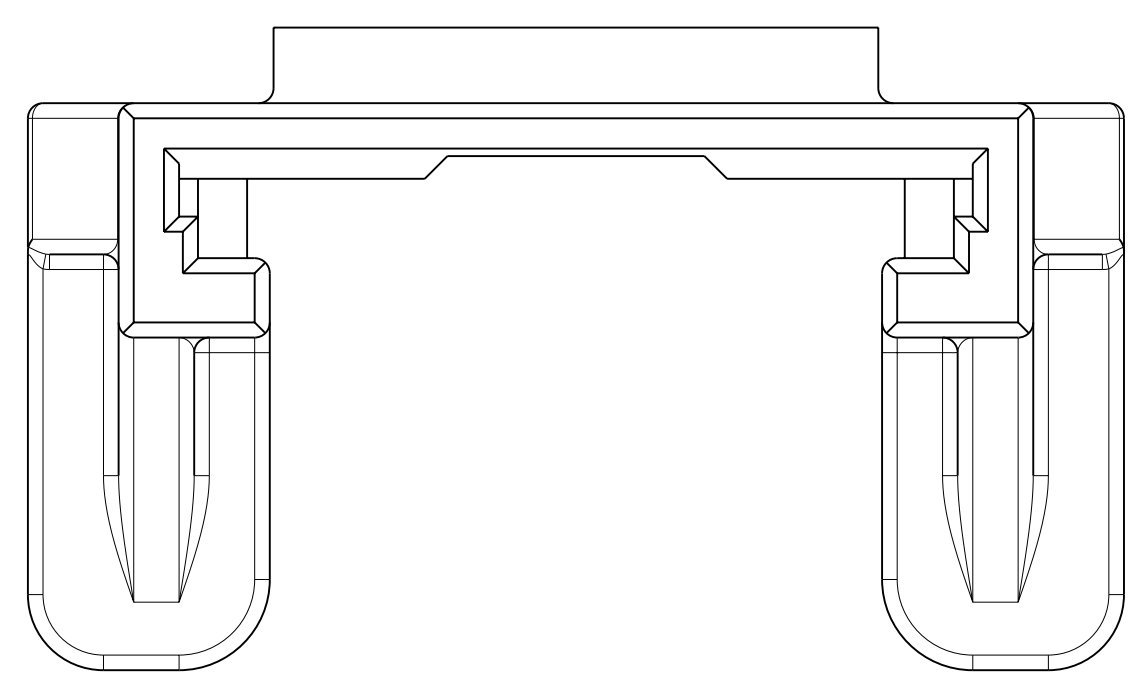


LOC	DIST	REVISIONS					
F	00	P	LTR	DESCRIPTION	DATE	DWN	APPR
		REV		MODIFICATIONS		DESS.	APP.
		A		CREATION	01JUL2009	NS	XR



COMPOSANTS ASSOCIES MATING PARTS	
REF. TE TE PART NUMBER	DESIGNATION
185311-1	MODULE 6 VOIES MQS SOCKET HOUSING 6 POS MQS
953382-X	PORTE MODULE POUR PORTE CLIPS 6 V. MQS COVER FOR HSG 6 W MQS

953381-1 REPRESENTEE  
AS SHOWN

PBT 20% FV PBT GF20	NOIR BLACK	953381-1
MATIERE MATERIAL	COULEUR COLOR	REF TE TE PV

<small>THIS DRAWING IS UNPUBLISHED. RELEASED FOR PUBLICATION                  DIFFUSION RESTREINTE AMP BY TYCO ELECTRONICS CORPORATION. ALL RIGHTS RESERVED.                  © COPYRIGHT 2009 BY TYCO ELECTRONICS CORPORATION. ALL RIGHTS RESERVED.</small>		DWN/DESIGN IN SIMON 01JUL2009	Tyco Electronics France SAS 95300 Pontoise, France
<small>THIS DRAWING IS UNPUBLISHED. RELEASED FOR PUBLICATION                  DIFFUSION RESTREINTE AMP BY TYCO ELECTRONICS CORPORATION. ALL RIGHTS RESERVED.                  © COPYRIGHT 2009 BY TYCO ELECTRONICS CORPORATION. ALL RIGHTS RESERVED.</small>		CHAQUE/REV F. CHATELUS 02JUL2009	NAME Y. COUILLARD
DIMENSIONS: mm		TOLERANCES UNLESS OTHERWISE SPECIFIED: DIMENSIONS: 0.25-0.50-0.75-1.00-1.50-2.00-3.00-4.00-5.00-6.00-8.00-10.00-12.00-15.00-20.00-25.00-30.00-40.00-50.00-60.00-80.00-100.00 ANGLES: ±0.5°	PRODUCT SPEC 108-15192 APPLICATION SPEC 411-15608
MATERIAL MATIERE TABLE Voir Tableau		FINISH -	WEIGHT MASSE APPROX. 0.6 g
CUSTOMER DRAWING /PLAN CLIENT		SIZE A1	DRAWING NO 953381
UNDEMENT POUR REFERENCE		SCALE 10:1	SHEET FEUILLE 1 OF 1
RESTRICTED TO RESERVE A		REV A	

# Mouser Electronics

Authorized Distributor

Click to View Pricing, Inventory, Delivery & Lifecycle Information:

[TE Connectivity:](#)

[953381-1](#)