

THIS DRAWING IS UNPUBLISHED. RELEASED FOR PUBLICATION MAY, 2010.  
 ALL RIGHTS RESERVED.

LOC	DIST	REVISIONS 変更					
ES		P	LTR	DESCRIPTION	DATE	DWN	APVD
		B2		REVISED ECR-11-023607	21NOV2011	J.H	S.Y

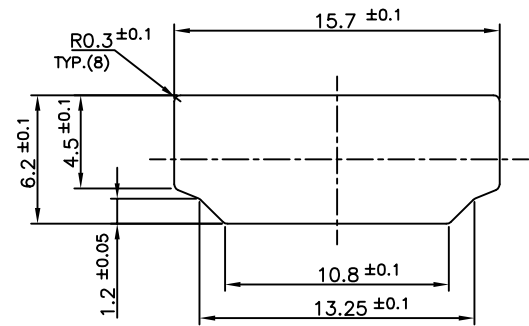
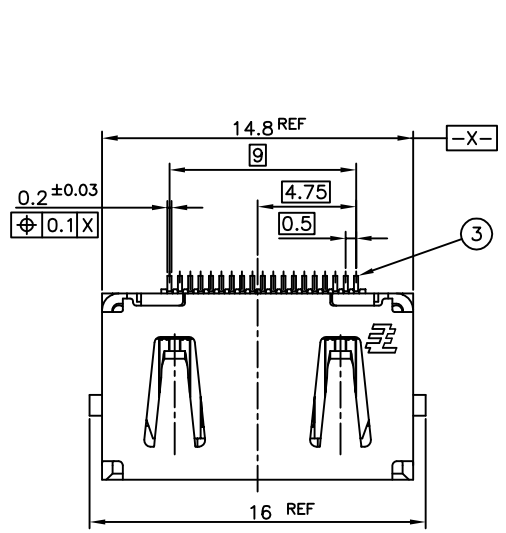
- 1 CONTACT COPLANALITY IS 0.1 MAX.
- △ THIS DIMENSION MEANS CENTER OF THE POCKET.
- △ M3 TAPPING + BVTP RECOMMENDED TORQUE: 68.6N (7Kgf) MAX.
- △ FINISH
- CONTACT: V μm MIN. Au PL. ON CONTACT AREA (V: SEE TABLE)
- 0.03~0.1 μm Au PL. ON TERMINAL AREA
- Ni UNDER PL. ALL OVER
- SHELL: Sn PL. (MATTE) ALL OVER
- Ni UNDER PL. ALL OVER
- △ SCREW SIZE
- △ QTY PRINT ON THE LABEL. (EMBOSS PACKING)

(B2)	0.1	-	△ 550	0.9	-	-	-	-	33.5	37.5	9.32	0.4	32	28.4	14.2	16	WITHOUT TAPE	WITHOUT FLANGE	THROUGH HOLE	(SEE SHEET 2)	EMBOSS (SEE SHEET 5)	1932649-6
	0.3	M3 x 0.5	70	1.9	46	138	6-23	46	-	-	-	-	-	-	-	-	WITHOUT TAPE	WITH FLANGE	THROUGH HOLE	(SEE SHEET 4)	SOFT TRAY (SEE SHEET 6)	2-1932649-5
	0.3	M3 x 0.5	70	1.9	46	138	6-23	46	-	-	-	-	-	-	-	-	WITHOUT TAPE	WITH FLANGE	THROUGH HOLE	(SEE SHEET 3)	SOFT TRAY (SEE SHEET 6)	1-1932649-5
	0.3	M3 x 0.5	70	1.9	46	138	6-23	46	-	-	-	-	-	-	-	-	WITHOUT TAPE	WITH FLANGE	THROUGH HOLE	(SEE SHEET 3)	SOFT TRAY (SEE SHEET 6)	1-1932649-2
	0.1	M3 x 0.5	70	1.9	46	138	6-23	46	-	-	-	-	-	-	-	-	WITHOUT TAPE	WITH FLANGE	THROUGH HOLE	(SEE SHEET 3)	SOFT TRAY (SEE SHEET 6)	1932649-5
	0.1	M3 x 0.5	70	1.9	46	138	6-23	46	-	-	-	-	-	-	-	-	WITHOUT TAPE	WITH FLANGE	THROUGH HOLE	(SEE SHEET 3)	SOFT TRAY (SEE SHEET 6)	1932649-4
	0.1	M3 x 0.5	△ 200	1.9	-	-	-	-	45.5	49.5	18.3	0.5	44	40.4	20.2	20	WITHOUT TAPE	WITH FLANGE	THROUGH HOLE	(SEE SHEET 3)	EMBOSS (SEE SHEET 5)	1932649-3
	0.1	△ 2.65±0.3	70	1.9	46	138	6-23	46	-	-	-	-	-	-	-	-	WITHOUT TAPE	WITH FLANGE	THROUGH HOLE	(SEE SHEET 3)	SOFT TRAY (SEE SHEET 6)	1932649-2
	0.1	-	△ 550	1.9	-	-	-	-	33.5	37.5	9.32	0.4	32	28.4	14.2	16	WITHOUT TAPE	WITHOUT FLANGE	THROUGH HOLE	(SEE SHEET 2)	EMBOSS (SEE SHEET 5)	1932649-1
	V	U	T	AA	S	R	P	N	M	L	K	J	H	G	F	E	POLYIMIDE TAPE	FLANGE	SHELL TYPE	CONNECTOR	PACKING	PART NUMBER

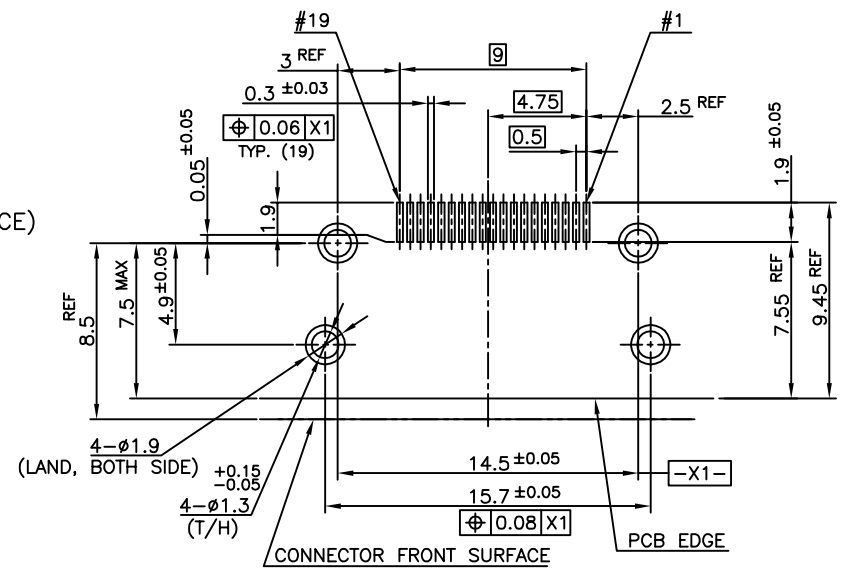
△ Au PL. △ SCREW SIZE QTY DIMENSION PART LIST

THIS DRAWING IS A CONTROLLED DOCUMENT.		DWN C.FISHER 20MAY2010	<b>STE</b> TE Connectivity	
DIMENSIONS: 單位: 箱 mm		CHK L.MARTIN 20MAY2010		
TOLERANCES UNLESS OTHERWISE SPECIFIED: 一般公差		APVD Y.STEVEN 20MAY2010	NAME 名稱 HDMI 19 POS RECEPTACLE ASSY SMT SHORT TYPE	
0 PLC ± 1 PLC ± 2 PLC ± 3 PLC ± 4 PLC ± ANGLES ±		PRODUCT SPEC 108-78180-8	SIZE A3	
FINISH 仕上		APPLICATION SPEC 取付適用規格	CAGE CODE 00779	
MATERIAL 材料		WEIGHT	DRAWING NO C=1932649	
		CUSTOMER DRAWING	RESTRICTED 30	
			SCALE 尺度 4:1	
			SHEET 1 OF 7	
			REV B2	

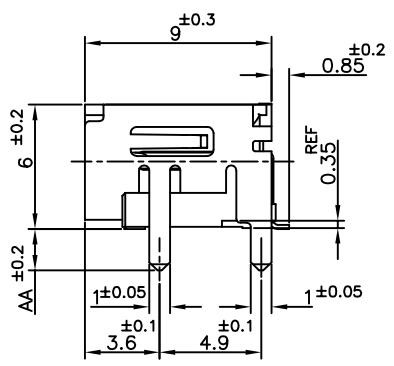
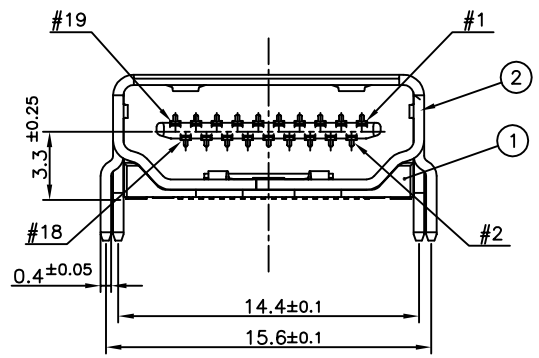
LOC	DIST	REVISIONS					
ES		P	LTR	DESCRIPTION	DATE	DWN	APVD
		-		SEE SHEET 1	-	-	-



PANEL CUT OUT DIMENSION (REFERENCE)

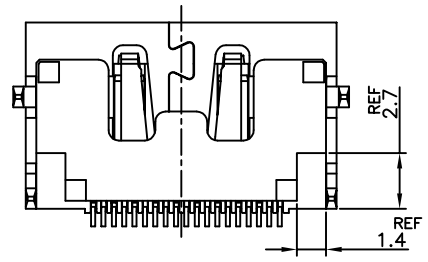


P.C.B LAYOUT (REFERENCE)  
SHOWN AS CONNECTOR MOUNTING SIDE  
TOLERANCE: NON-CUMULATIVE



BRASS	CONTACT	(3)
STAINLESS STEEL	SHELL	(2)
GLASS FILLED LCP UL94V-0, BLACK COLOR	HOUSING	(1)
MATERIAL	DESCRIPTION	ITEM

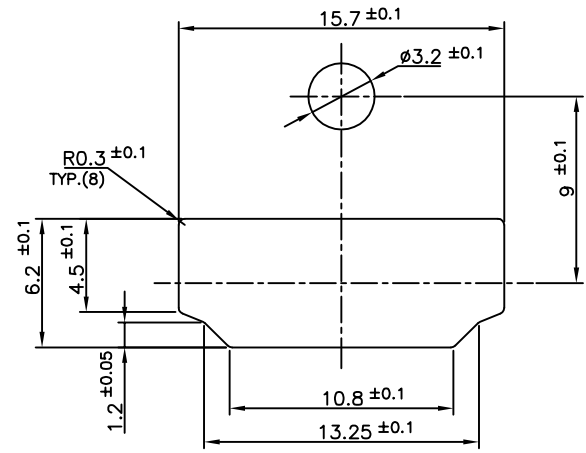
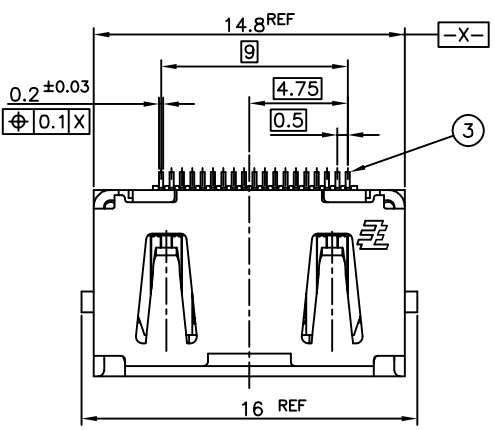
CONNECTOR: WITHOUT FLANGE THROUGH HOLE TYPE



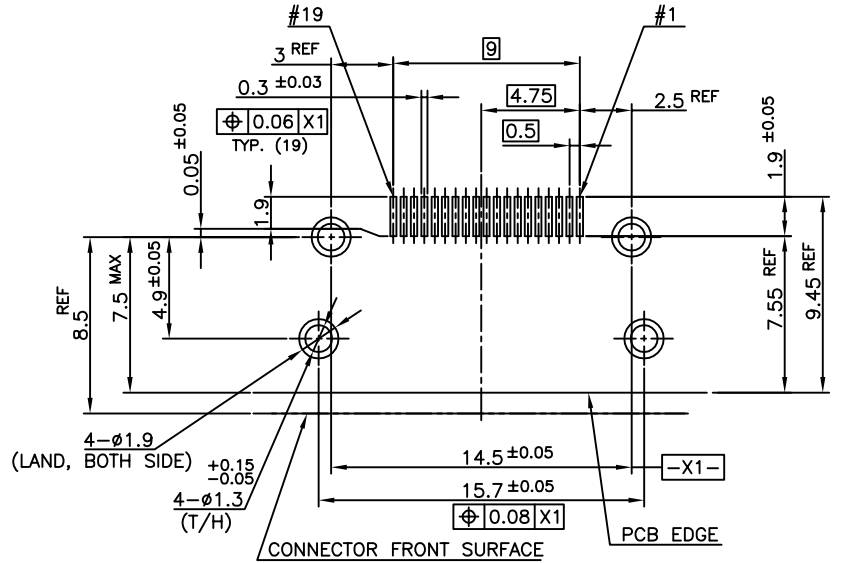
THIS DRAWING IS A CONTROLLED DOCUMENT.		DWN	<b>TE</b> TE Connectivity	
DIMENSIONS: 單位: 毫米 mm		CHK		
TOLERANCES UNLESS OTHERWISE SPECIFIED: 一般公差		APVD	NAME 名稱	
0 PLC ±		PRODUCT SPEC 製品規格	HDMI 19 POS RECEPTACLE ASSY SMT SHORT TYPE	
1 PLC ±		APPLICATION SPEC 取付適用規格	SIZE CAGE CODE DRAWING NO 圖號	
2 PLC ±		WEIGHT	A3 00779 C=1932649	
3 PLC ±		CUSTOMER DRAWING	RESTRICTED TO 番號	
4 PLC ±			SCALE 尺度 4:1 SHEET 2 of 7 REV B2	
ANGLES ±				
FINISH 仕上				
MATERIAL 材料				

THIS DRAWING IS UNPUBLISHED. RELEASED FOR PUBLICATION SEP ,2005.  
 © COPYRIGHT 2005 By - ALL RIGHTS RESERVED.

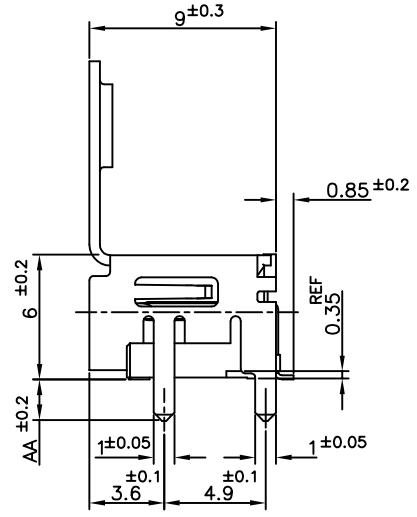
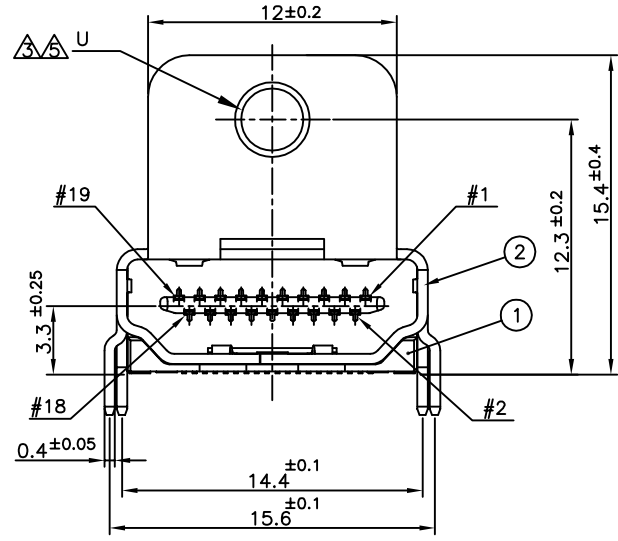
LOC	DIST	REVISIONS					
ES		P	LTR	DESCRIPTION	DATE	DWN	APVD
		-		SEE SHEET 1	-	-	-



PANEL CUT OUT DIMENSION (REFERENCE)

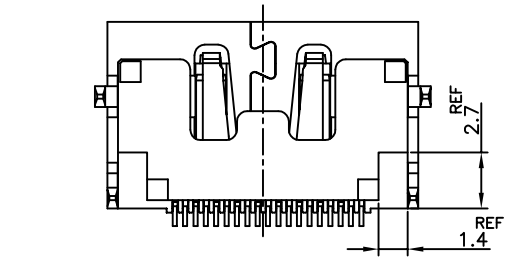


P.C.B LAYOUT (REFERENCE)  
 SHOWN AS CONNECTOR MOUNTING SIDE  
 TOLERANCE: NON-CUMULATIVE



CONNECTOR: WITH FLANGE THROUGH HOLE TYPE

BRASS	CONTACT	③
STAINLESS STEEL	SHELL	②
GLASS FILLED LCP UL94V-0, BLACK COLOR	HOUSING	①
MATERIAL	DESCRIPTION	ITEM



THIS DRAWING IS A CONTROLLED DOCUMENT.

DIMENSIONS: 單位: 毫米 mm	TOLERANCES UNLESS OTHERWISE SPECIFIED: 一般公差	DWN	CHK	APVD	NAME 名稱
0 PLC ±	1 PLC ±	PRODUCT SPEC 製品規格	HDMI 19 POS RECEPTACLE ASSY SMT SHORT TYPE		
2 PLC ±	3 PLC ±	APPLICATION SPEC 取付適用規格	WEIGHT	SIZE A3	CAGE CODE 00779
4 PLC ANGLES ±	FINISH 仕上	CUSTOMER DRAWING	SCALE 尺度 4:1	DRAWING NO 番号 C=1932649	RESTRICTED TO
MATERIAL 材料			SHEET 3 of 7	REV B2	

4

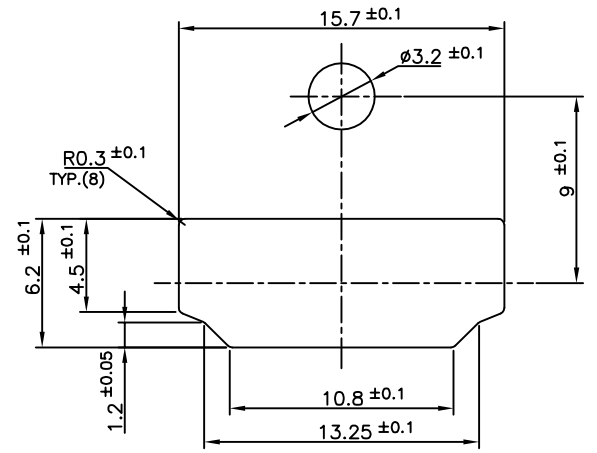
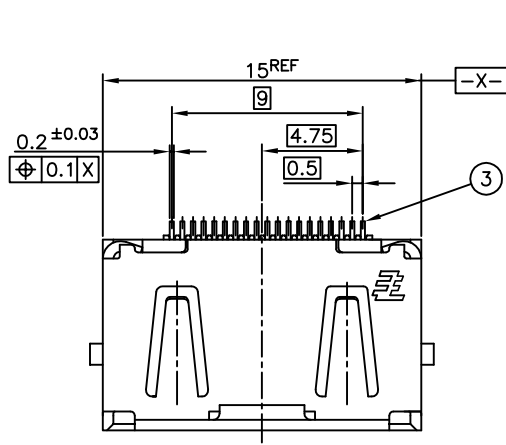
3

2

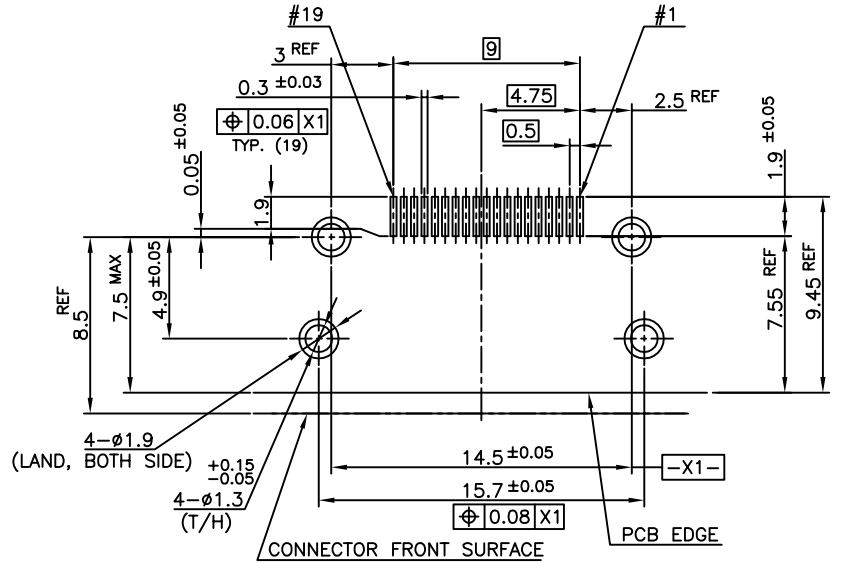
1

THIS DRAWING IS UNPUBLISHED. RELEASED FOR PUBLICATION SEP., 2005. ALL RIGHTS RESERVED.

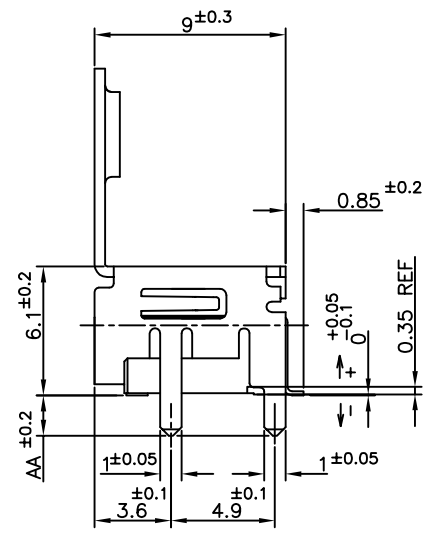
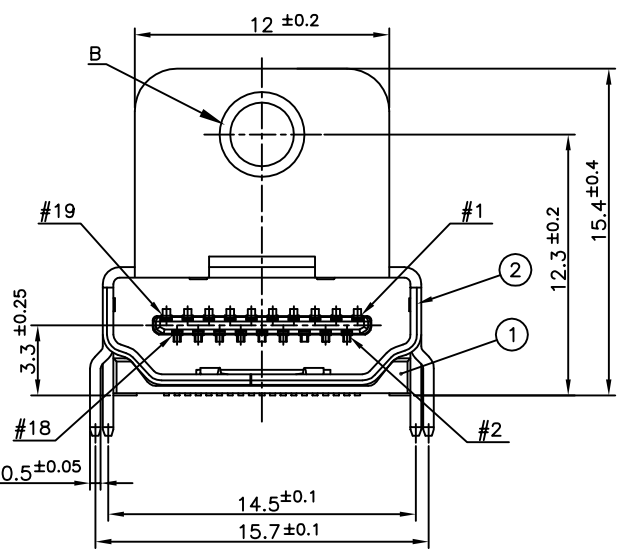
LOC		REVISIONS			DATE	DWN	APVD
ES	DIST	変更					
		DESCRIPTION					
P	LTR	SEE SHEET 1			-	-	-



PANEL CUT OUT DIMENSION (REFERENCE)

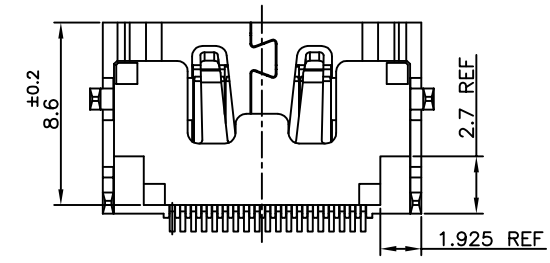


P.C.B LAYOUT (REFERENCE) SHOWN AS CONNECTOR MOUNTING SIDE TOLERANCE: NON-CUMULATIVE



CONNECTOR: WITH FLANGE THROUGH HOLE TYPE

BRASS	CONTACT	③
BRASS	SHELL	②
GLASS FILLED LCP UL94V-0, BLACK COLOR	HOUSING	①
MATERIAL	DESCRIPTION	ITEM

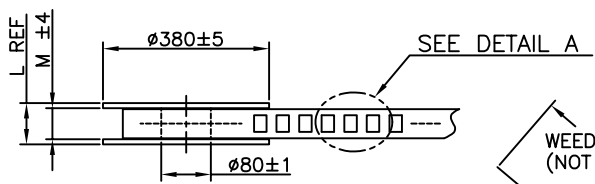
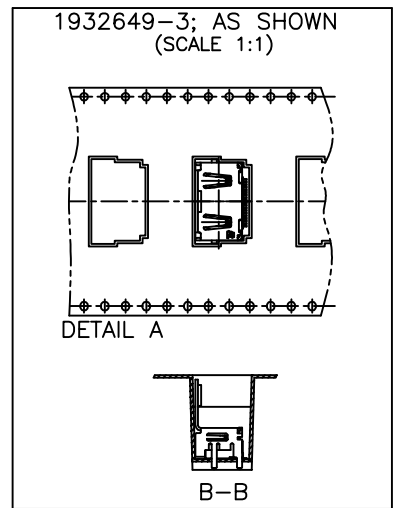
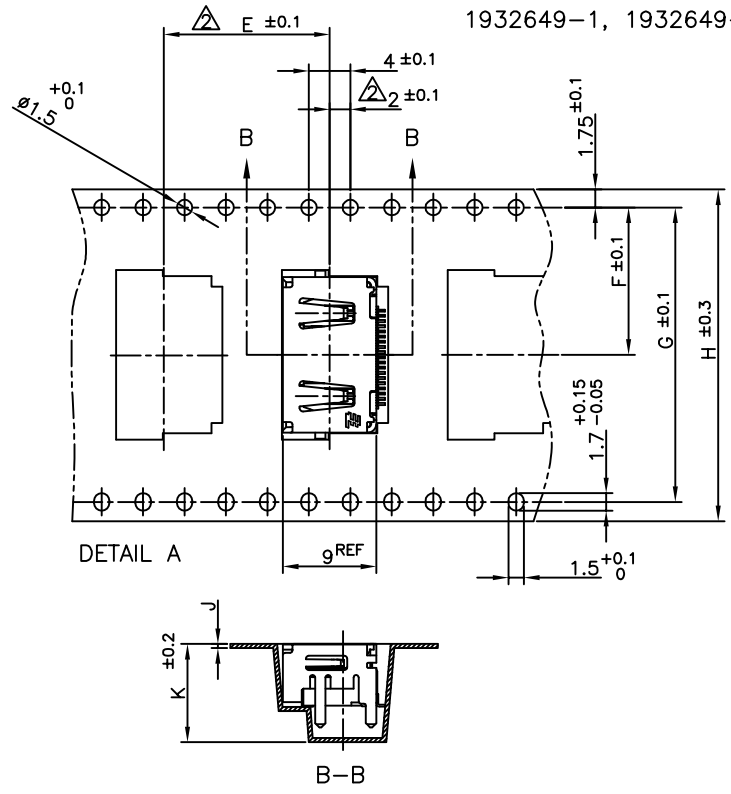


THIS DRAWING IS A CONTROLLED DOCUMENT.

DIMENSIONS: 單位: 稱 mm	TOLERANCES UNLESS OTHERWISE SPECIFIED: 一般公差	DWN	CHK	APVD	NAME 名稱	TE Connectivity	
0 PLC ±	1 PLC ±	PRODUCT SPEC 製品規格	APPLICATION SPEC 取付適用規格	WEIGHT	HDMI 19 POS RECEPTACLE ASSY SMT SHORT TYPE		
2 PLC ±	3 PLC ±	FINISH 仕上	CUSTOMER DRAWING	SCALE 尺度 4:1	SIZE A3	CAGE CODE 00779	DRAWING NO. 番号 C=1932649
4 PLC ±	ANGLES ±				RESTRICTED TO		
							REV B2

LOC ES	DIST -	REVISIONS 変更			DATE	DWN	APVD
P	LTR	DESCRIPTION					
-	-	SEE SHEET 1		-	-	-	-

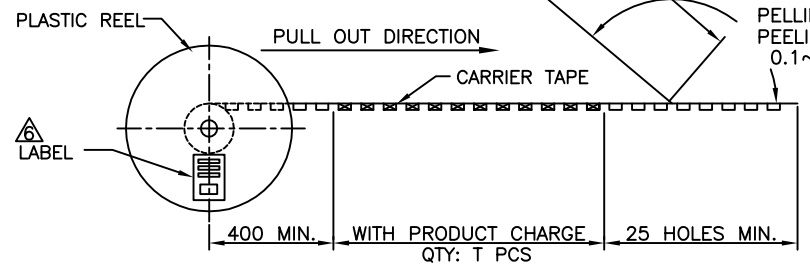
1932649-1, 1932649-6; AS SHOWN



WEEDING THE COVER TAPE: 300 MIN (NOT INCLUDE EMPTINESS POCKET)  
 PELLING ANGLE: 165°~180°  
 PEELING STRENGTH: 0.1~0.7N (300mm/min.)

△ LABEL DESCRIPTION  
 TYCO P/N: \*-1932649-\*  
 QTY: \* pcs  
 D/C:  
 MADE IN CHINA

PET	COVER TAPE
PS	CARRIER TAPE
PLASTIC	REEL
MATERIAL	DESCRIPTION

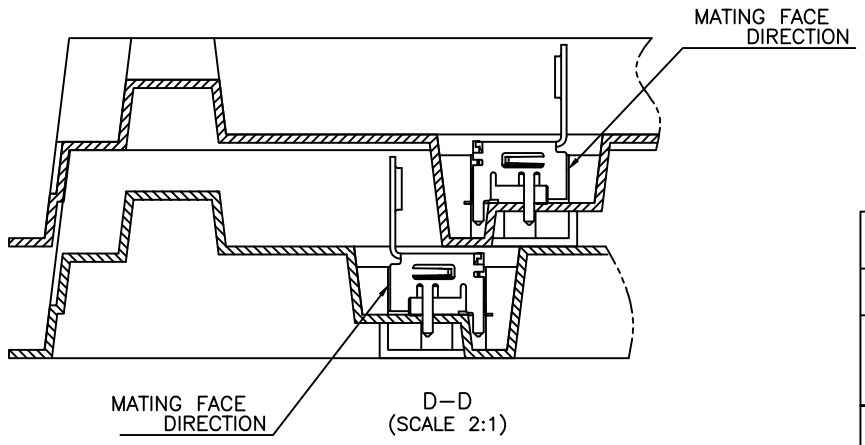
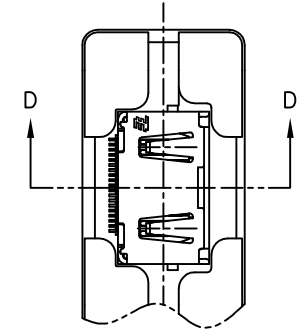
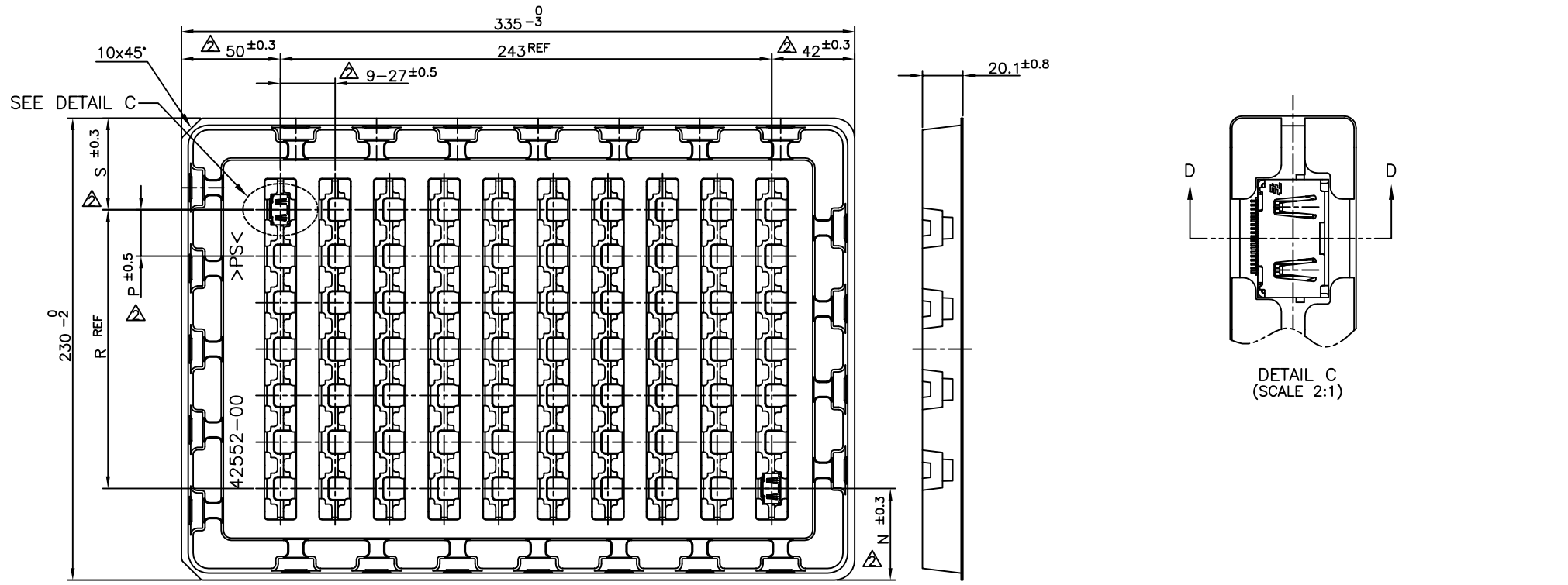


THIS DRAWING IS A CONTROLLED DOCUMENT.

DIMENSIONS: 單位: 毫米 mm	TOLERANCES UNLESS OTHERWISE SPECIFIED: 一般公差	0 PLC ±	1 PLC ±	2 PLC ±	3 PLC ±	4 PLC ±	ANGLES ±	FINISH 仕上	DWN	CHK	APVD	PRODUCT SPEC 製品規格	APPLICATION SPEC 取付適用規格	WEIGHT	CUSTOMER DRAWING	
MATERIAL 材料		NAME 名称			HDMI 19 POS RECEPTACLE ASSY SMT SHORT TYPE			SIZE A3			CAGE CODE 00779			DRAWING NO G=1932649		
		RESTRICTED TO			SCALE 尺度 4:1			SHEET 5 of 7			REV B2					

LOC	DIST	REVISIONS		
ES		变更	DATE	DWN
		DESCRIPTION		APVD
		P LTR		
		-	SEE SHEET 1	-

1932649-2, 1932649-4, 1932649-5, 1-1932649-2, 1-1932649-5, 2-1932649-5; AS SHOWN



THIS DRAWING IS A CONTROLLED DOCUMENT.		DWN		TE Connectivity	
DIMENSIONS: 单位: 毫米 mm		CHK		NAME 名称	
TOLERANCES UNLESS OTHERWISE SPECIFIED: 一般公差		APVD		HDMI 19 POS RECEPTACLE ASSY SMT SHORT TYPE	
0 PLC ±		PRODUCT SPEC 製品规格		SIZE A3	
1 PLC ±		APPLICATION SPEC 取付適用规格		CAGE CODE 00779	
2 PLC ±		WEIGHT		DRAWING NO 番号 G=1932649	
3 PLC ±		CUSTOMER DRAWING		RESTRICTED TO	
4 PLC ±				SCALE 尺度 4:1	
ANGLES ±				SHEET 6 of 7	
FINISH 仕上				REV B2	

4

3

2

1

THIS DRAWING IS UNPUBLISHED.

RELEASED FOR PUBLICATION

MAY ,2010.

© COPYRIGHT 2010 By -

ALL RIGHTS RESERVED.

LOC

DIST

REVISIONS

変更

P

LTR

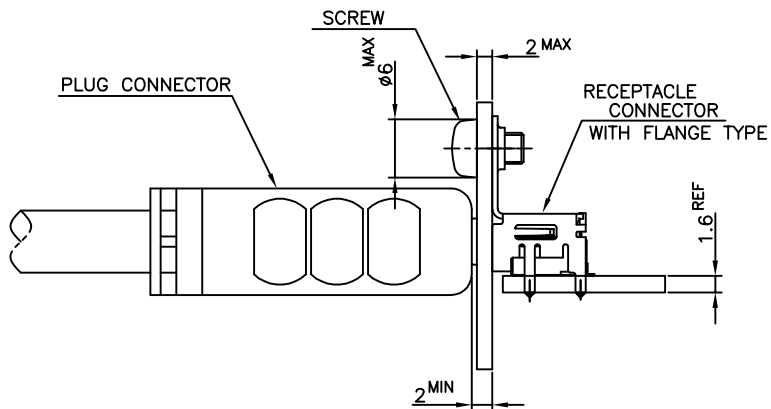
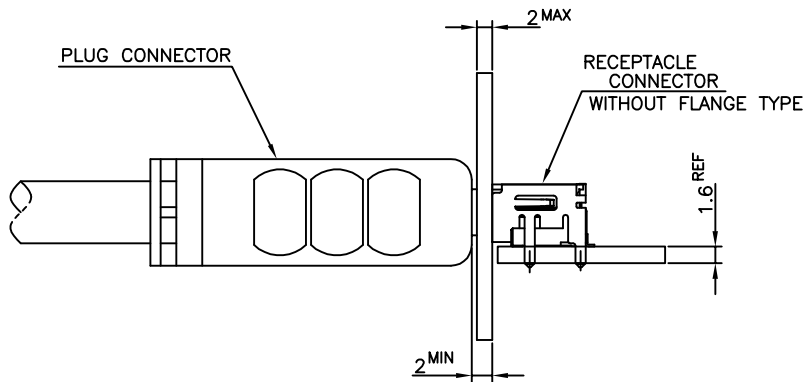
DESCRIPTION

DATE

DWN

APVD

SEE SHEET 1



MATING CONDITION (REFERENCE)  
(SCALE 2:1)

THIS DRAWING IS A CONTROLLED DOCUMENT.		DWN		<b>TE</b> TE Connectivity	
DIMENSIONS: 單位: 絲 mm		CHK			
		APVD		NAME 名稱	
		PRODUCT SPEC 製品規格		HDMI 19 POS RECEPTACLE ASSY SMT SHORT TYPE	
MATERIAL 材料		APPLICATION SPEC 取付適用規格		DRAWING NO 番号	
		WEIGHT		RESTRICTED TO	
FINISH 仕上		CUSTOMER DRAWING		SCALE 尺度 4:1	
TOLERANCES UNLESS OTHERWISE SPECIFIED: 一般公差		DRAWING NO 番号		SHEET 7 of 7	
0 PLC ±		A3 00779 C=1932649		REV B2	
1 PLC ±					
2 PLC ±					
3 PLC ±					
4 PLC ±					
ANGLES ±					

# Mouser Electronics

Authorized Distributor

Click to View Pricing, Inventory, Delivery & Lifecycle Information:

[TE Connectivity:](#)

[1932649-1](#)